

Preliminary Specifications Subject to Change without Notice

DESCRIPTION

The JW[®]5116F is a current mode monolithic buck switching regulator. Operating with an input range of 4.7-40V, the JW5116F delivers 3A of continuous output current with an integrated high side N-Channel MOSFET. At light loads, JW5116F operates in low frequency to maintain high efficiency and low output voltage ripple. Current mode control provides tight load transient response and cycle-by-cycle current limiting. The JW5116F guarantees robustness with input under-voltage lockout, start-up current run-away protection, output short protection and thermal protection.

The JW5116F is available in SOP8 and ESOP8 package, which provides a compact solution with minimal external components.

Company's Logo is Protected, "JW" and "JOULWATT" are Registered Trademarks of JoulWatt technology Inc.

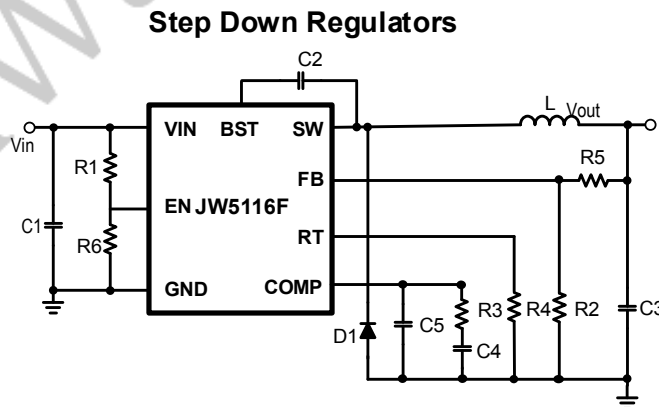
FEATURES

- 4.7V to 40V operating input range
- 3A output current
- Up to 92% efficiency
- High efficiency (>78%) at light load
- Internal soft-start
- Adjustable switch frequency
- Input under-voltage lockout
- Start-up current run-away protection
- Output short protection
- Thermal protection
- Available in SOP8 and ESOP8 package

APPLICATIONS

- Distributed Power Systems
- Networking Systems
- FPGA, DSP, ASIC Power Supplies
- Green Electronics/ Appliances
- Notebook Computers

TYPICAL APPLICATION



单击下面可查看定价，库存，交付和生命周期等信息

[>>JOULWATT\(杰华特\)](#)