

BMSC CONNECTOR

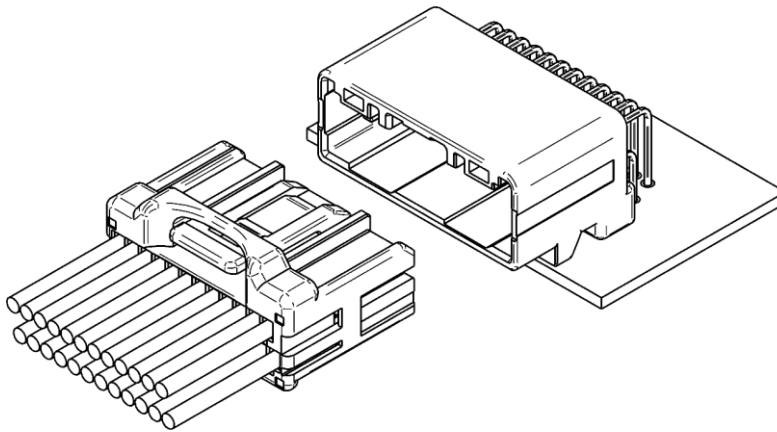
Board-to-wire



■ Features

- High reliability
- Low insertion force
- Key code options
- Flammability : UL94V-0

0.64 terminal, 2.2 mm pitch dual-row, board-to-wire connector for automotive applications.



■ Specifications

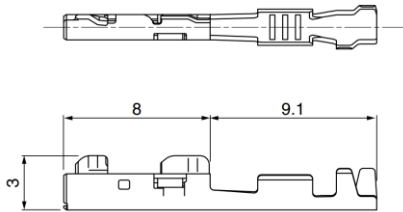
- Current rating : 5 A AC/DC (0.5mm², Single circuit)
- Withstanding voltage : 1,000 VAC /minute
- Temperature range : -40°C to +105°C
(including temperature rise in applying electrical current)
- Contact resistance : Initial value/ 20 mΩ max.
After environmental tests/ 20 mΩ max.
- Insulation resistance : 100 MΩ min.
- Applicable wire : AVSS/CAVS
0.3mm² to 0.5mm²
AVSSH
0.5mm²

*Compliant with ELV/RoHS2.

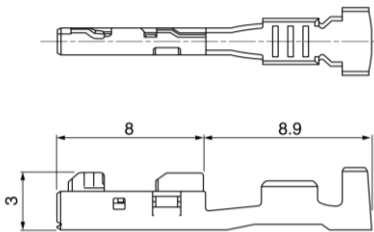
*Contact JST for details.

Female terminal

● **0.64 female terminal SSS**



● **0.64 female terminal S**



| Size | Model No. | Applicable wire range | | Q'ty/reel |
|----------|--------------------------|------------------------------|----------------------|-----------|
| | | Conductor (mm ²) | Insulation O.D. (mm) | |
| *0.64SSS | SNAC3-A001T-M0.64 | 0.13 | 0.85 | 6,000 |
| 0.64S | SNAC3-A021T-M0.64 | 0.3 to 0.5 | 1.4 to 1.8 | 5,000 |

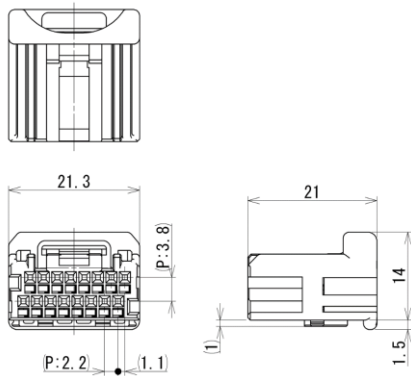
Material and Finish

Copper alloy, tin-plated

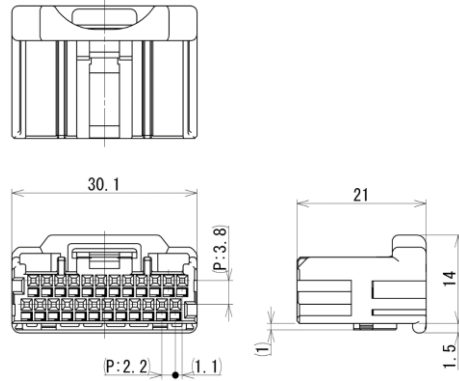
Note: * Contact JST about the use of these parts.

Female connector

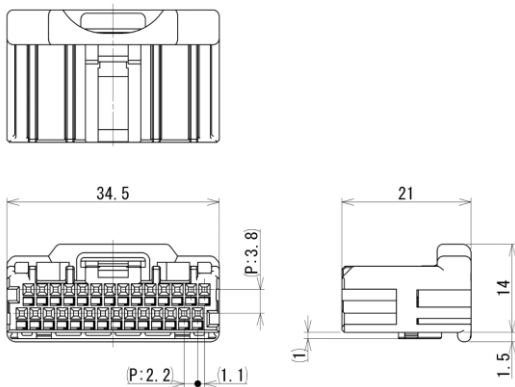
● 16 circuits



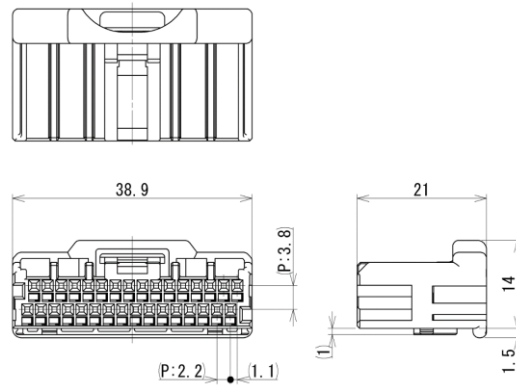
● 24 circuits



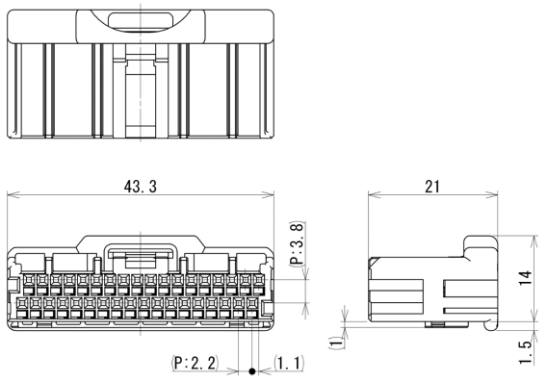
● 28 circuits



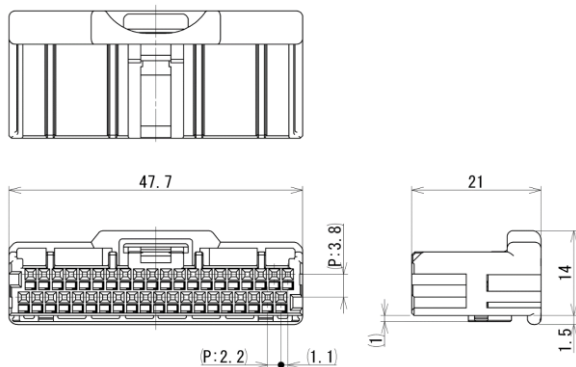
● 32 circuits



● 36 circuits



● 40 circuits



| No. of circuits | Model No. | Color | | Q'ty/box |
|-----------------|--------------|---------|----------|----------|
| | | Housing | Retainer | |
| 16 | 16BMSC-B-2A1 | Black | Natural | 784 |
| 24 | 24BMSC-B-2A1 | Black | Natural | 560 |
| 28 | 28BMSC-B-2A1 | Black | Natural | 448 |
| 32 | 32BMSC-B-2A1 | Black | Natural | 392 |
| 36 | 36BMSC-B-2A1 | Black | Natural | 336 |
| 40 | 40BMSC-B-2A1 | Black | Natural | 336 |

Material

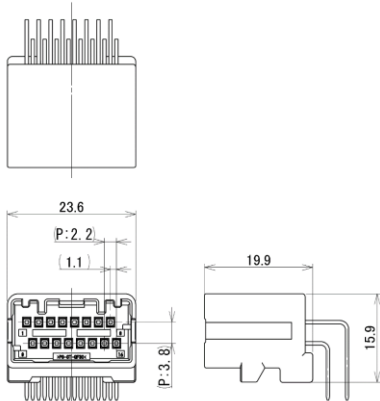
Housing: Glass-filled PBT,UL94V-0

Retainer: Glass-filled PBT,UL94V-0

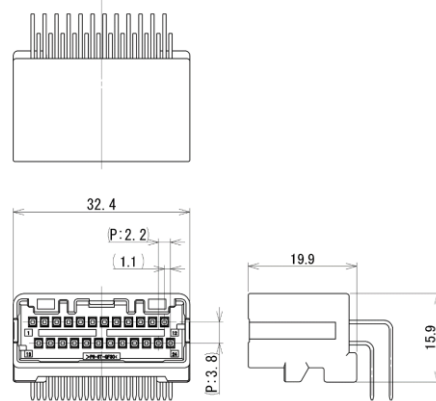
Note: Color/Key codes other than above-mentioned housing are also available.
Contact JST for details.

Male connector

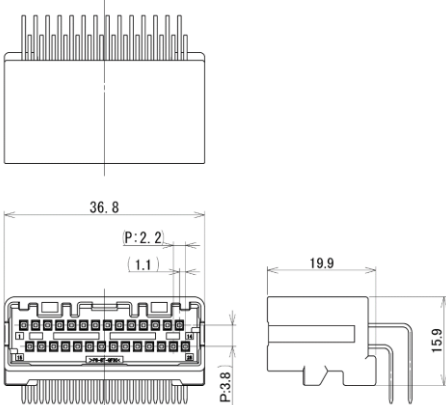
● 16 circuits



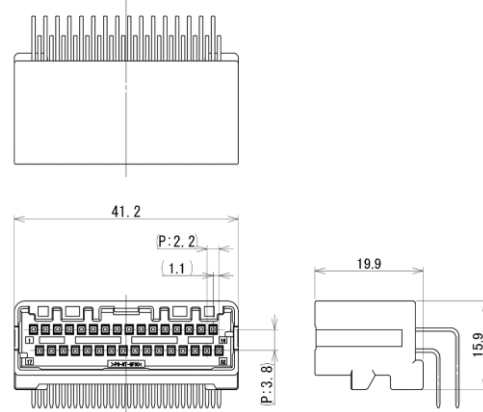
● 24 circuits



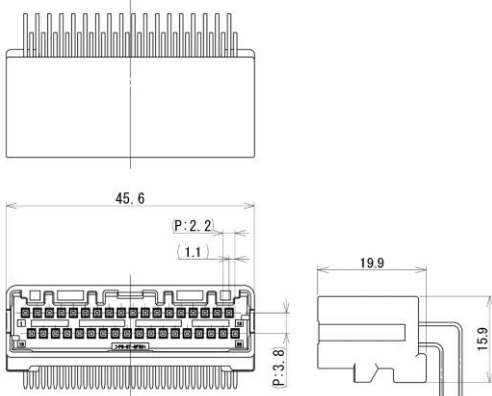
● 28 circuits



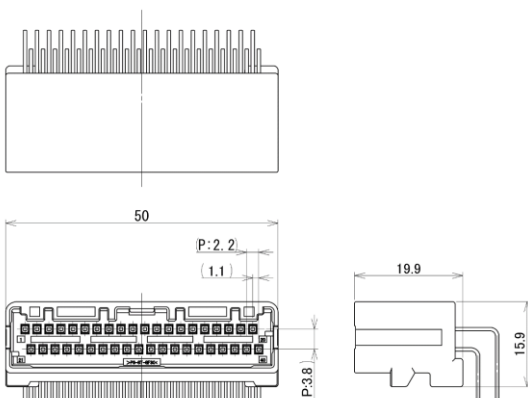
● 32 circuits



● 36 circuits



● 40 circuits



| No. of circuits | Model No. | Housing Color | Q'ty/box |
|-----------------|-----------------------|---------------|----------|
| 16 | S16B-BMSCK-2A1 | Black | 480 |
| 24 | S24B-BMSCK-2A1 | Black | 360 |
| 28 | S28B-BMSCK-2A1 | Black | 320 |
| 32 | S32B-BMSCK-2A1 | Black | 280 |
| 36 | S36B-BMSCK-2A1 | Black | 240 |
| 40 | S40B-BMSCK-2A1 | Black | 240 |

Material and Finish

Housing : Glass-filled SPS, UL94V-0

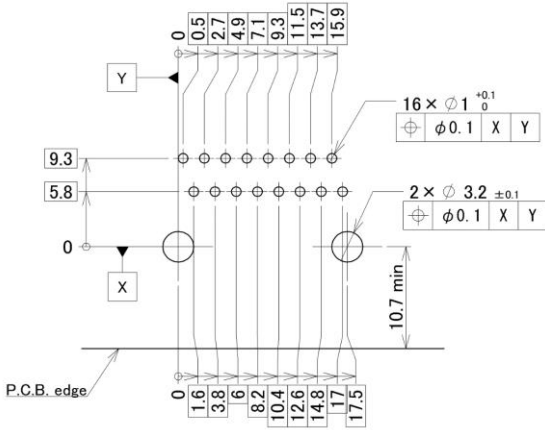
Terminal: Copper alloy, tin-plated

Note: Color/Key codes other than above-mentioned housing are also available.

Contact JST for details.

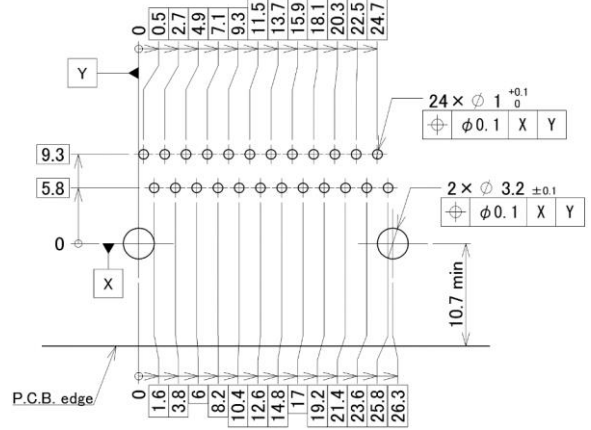
PC board layout

● 16 circuits



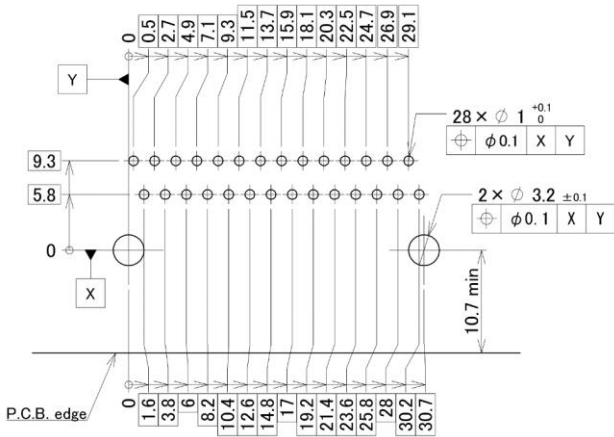
Connector mounted side

● 24 circuits



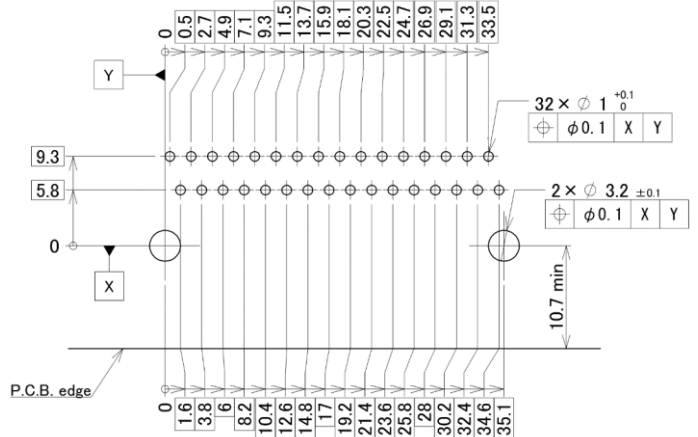
Connector mounted side

● 28 circuits



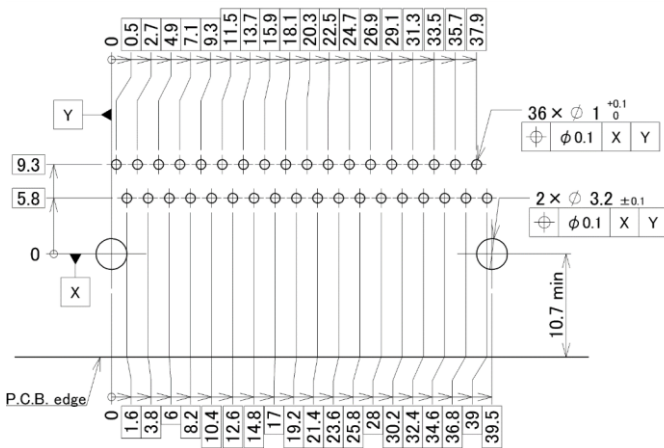
Connector mounted side

● 32 circuits



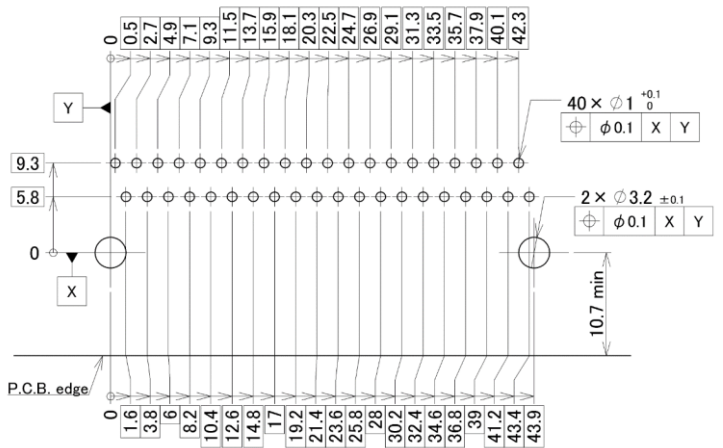
Connector mounted side

● 36 circuits



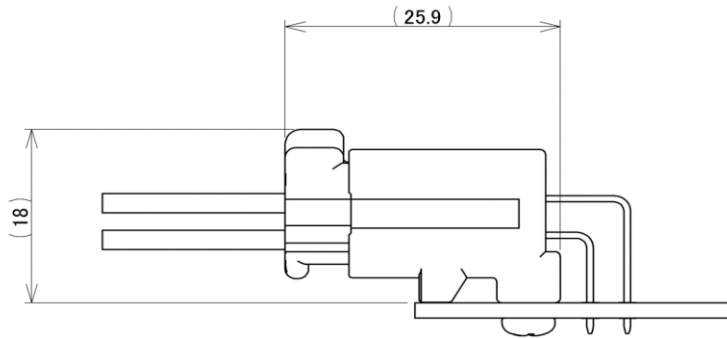
Connector mounted side

● 40 circuits



Connector mounted side

Assembly layout



Keycode

| Keycode | A | B | C | D |
|------------------|-----------------|-----------------|-----------------|-----------------|
| Housing color | Black | Gray | Blue | Green |
| Configuration | | | | |
| Female model No. | ()BMSC-B-2A1 | ()BMSC-B-2A2 | ()BMSC-B-2A3 | ()BMSC-B-2A4 |
| Male model No. | S()B-BMSCK-2A1 | S()B-BMSCH-2A2 | S()B-BMSCE-2A3 | S()B-BMSCM-2A4 |

Note: Contact JST for details.

Crimping machine, Applicator

| Strip terminal | Crimping machine | Crimp applicator MKS-L | | Hand crimp tool | Applicable wire |
|--------------------------|------------------|------------------------|----------------------------|-----------------|-----------------|
| | | Dies | Crimp applicator with dies | | |
| SNAC3-A001T-M0.64 | AP-K2N | MK/SNAC3-A001-064 | APLMK SNAC3-A001-064 | - | - |
| SNAC3-A021T-M0.64 | | MK/SNAC3-A021-064 | APLMK SNAC3-A021-064 | YRK-1003 | AVSS0.5,CAVS0.5 |

Note: 1. When crimping operation is conducted using an applicator and die set other than the above, JST cannot guarantee the performance of the terminal.
 2. Contact JST for details.

单击下面可查看定价，库存，交付和生命周期等信息

[>>JST\(杰世腾\)](#)