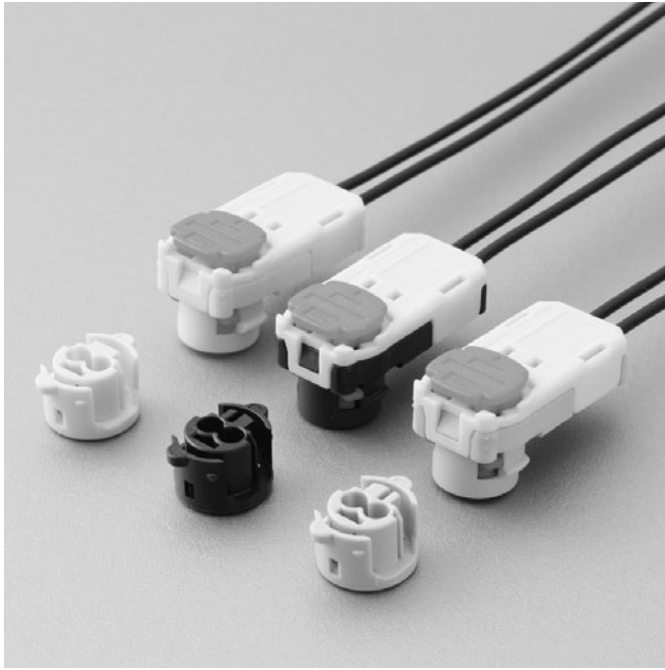


# SQSK CONNECTOR

Squib connectors



This connector for air-bag, conforming to ISO19072-4 standard configuration, has intelligent CPA, which allows locking the connector, incomplete mating detection and release of short-circuit at the same time.

## Features

### ●Mating

Intelligent CPA adopted. It enables the connector to be locked securely and prevents incomplete mating on the assembly line resulting in improved connector retention force.

### ●Terminal construction

The contact structure of three contact points is adopted, and the contact reliability is improved.

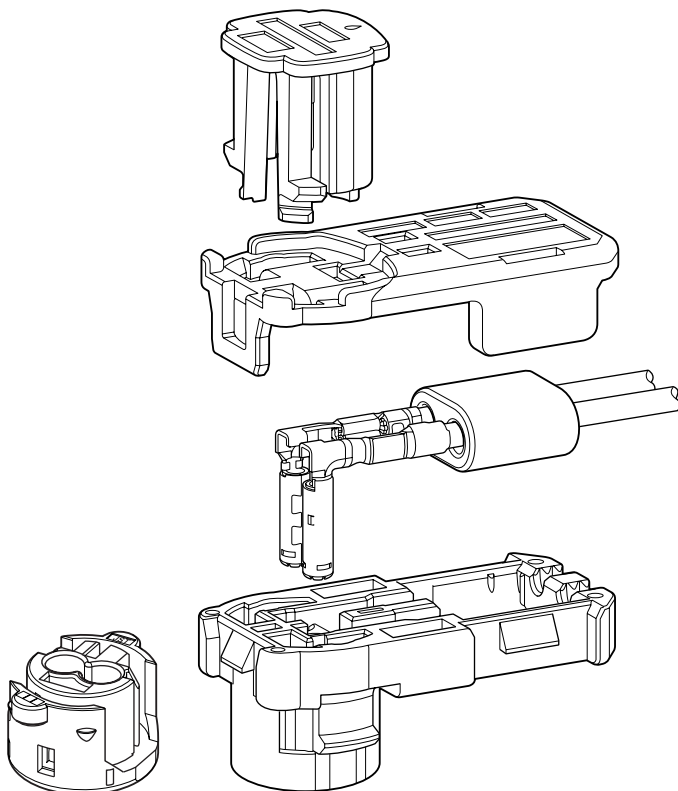
It is designed to prevent the deformation of contact area when processing wire harness by covering ferrule to spring contact area.

### ●Scooping (kojiri) preventive construction

Using a shunt ring conforming to ISO19072-4 standard, the resistance to scooping (kojiri) insertion and withdrawal is improved.

### ●Noise suppression

Ferrite core provides simple and reliable noise suppression characteristics.



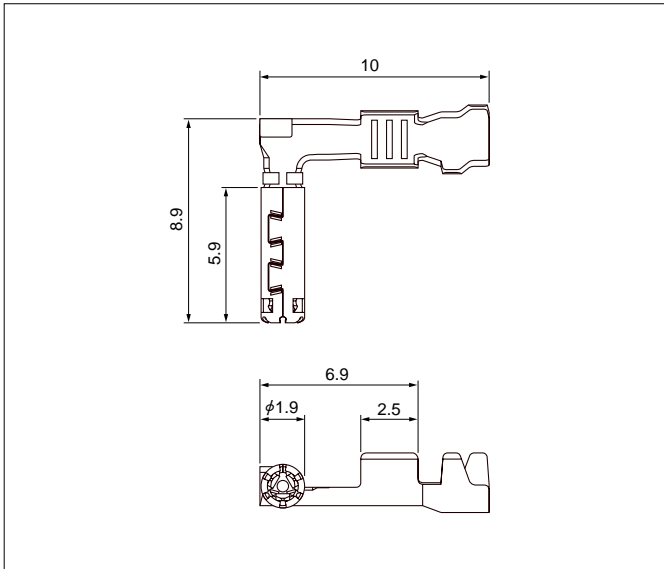
## Specifications

- Current rating: 3A AC, DC max.
- Temperature range: -40°C to +85°C  
(including temperature rise in applying electrical current)
- Insulation resistance: 100MΩ min.
- Applicable wire: AVSS  
0.3mm<sup>2</sup>, 0.5mm<sup>2</sup>  
FLRY-A  
0.35mm<sup>2</sup>, 0.5mm<sup>2</sup>

\* Compliant with ELV/RoHS.  
\* Contact JST for details.

# SQSK CONNECTOR

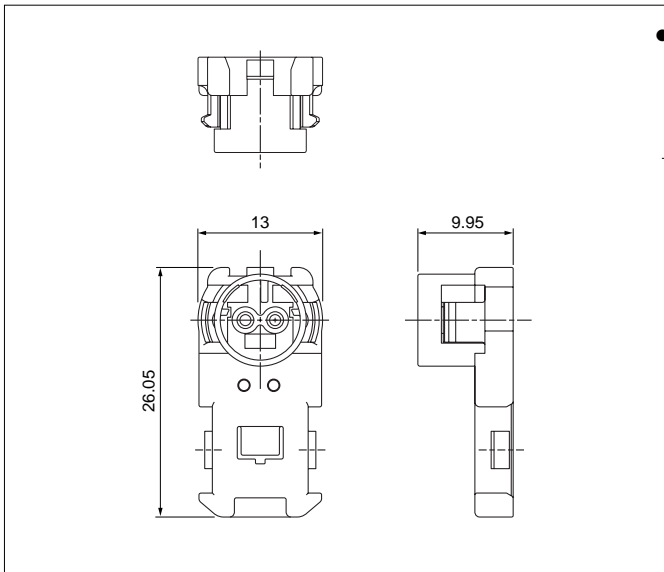
## Female terminal



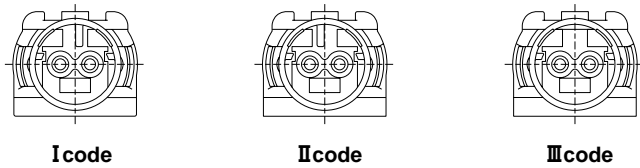
Model No.	Applicable wire range		Q'ty/reel
	Conductor (mm <sup>2</sup> )	Insulation O.D. (mm)	
<b>SSQSK-A03GJ-P-R</b>	0.3 to 0.5	1.0 to 1.6	5,000
<b>SSQSK-A03GJ-P-L</b>	0.3 to 0.5	1.0 to 1.6	5,000

**Material and Finish**  
Copper alloy, nickel-undercoated,  
Contact area; gold-plated (0.8μm min.)  
Barrel area; tin-plated

## Female housing



### • Keying figure

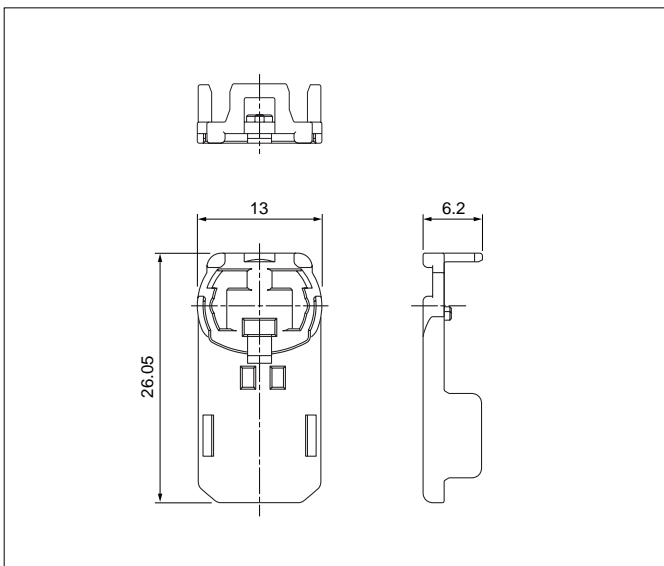


Circuits	Model No.	Keying figure	Q'ty/box	Color
2	<b>SQSKR-02H-1A-K</b>	I code	500	Black
	<b>SQSKR-02H-1B-LM</b>	II code	500	Light green
	<b>SQSKR-02H-1C-Y</b>	III code	500	Yellow

### Material

PBT

## Cover housing

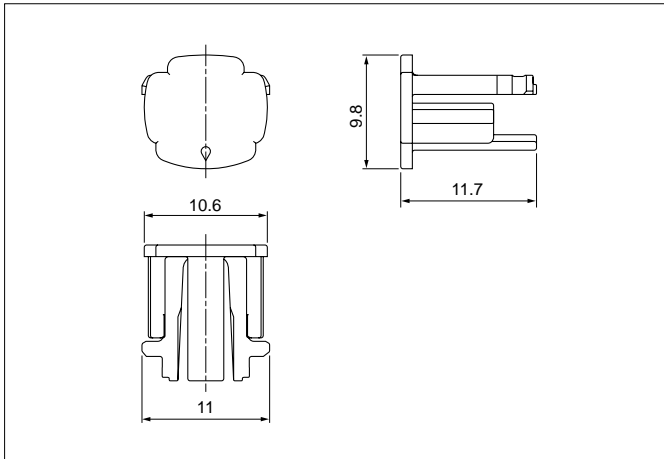


Circuits	Model No.	Q'ty/bag	Color
2	<b>SQSKL-02H-2A-Y</b>	1,000	Yellow

### Material

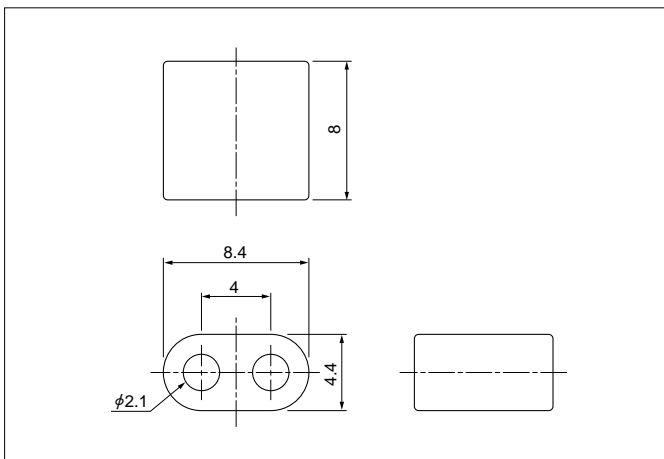
PBT

## CPA housing



Circuits	Model No.	Q'ty/bag	Color
2	<b>SQSKC-02H-1A-D</b>	2,000	Orange
Material			
Glass-filled PBT			

## Ferrite



Circuits	Model No.	Q'ty/box
2	<b>SQSF-02-1A</b>	1,000

## Crimping machine, Applicator

Strip terminal	Crimping machine	Crimp applicator MKS-L	
		Dies	Crimp applicator with dies
<b>SSQSK-A03GJ-P-R</b>	AP-K2N	MK/SSQSK-A03-P	APLMK SSQSK-A03-P
<b>SSQSK-A03GJ-P-L</b>			

Note: When crimping operation is conducted using an applicator and die set other than the above, JST cannot guarantee the performance of the terminal.

## Shunt ring

• Keying figure

Circuits	Model No.	Keying figure	Q'ty/box	Color
2	<b>02-SQSK-GI-2A-K</b>	I code	6,000	Black
	<b>02-SQSK-GI-2B-LM</b>	II code	6,000	Light green
	<b>02-SQSK-GI-2C-Y</b>	III code	6,000	Yellow
Material and Finish				
SUS, nickel-undercoated, Selective gold-plated Glass-filled PBT				

单击下面可查看定价，库存，交付和生命周期等信息

[>>JST\(杰世腾\)](#)