



VP

铝电解电容器-贴片型

Aluminum electrolytic capacitor- SMD type

特点 Features

- 产品直径 Case diameter: $\Phi 4\sim\Phi 10\text{mm}$.
- 适用于再流焊。Reflow soldering is available.
- 适用于高密度表面组装。Available for high density surface mounting.
- RoHS指令已对应完毕。Adapted to the RoHS directive.
- 超低阻抗、105°C 2000小时保证品。
Ultra low impedance and load life of 2000 hours at +105°C.

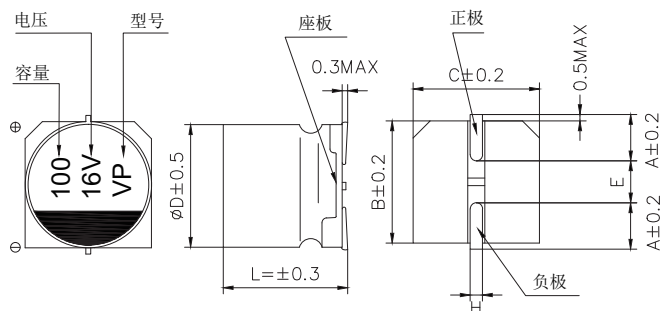


主要技术性能 Specifications

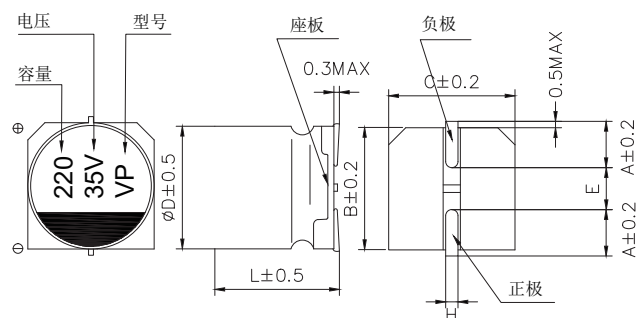
| 项目 Items | 特性 Performance Characteristics | | | | | | |
|---|--|---|------|------|------|------|------|
| 工作温度范围 Operating Temperature Range | -55~+105°C | | | | | | |
| 额定电压范围 Rated Voltage Range | 6.3~50V | | | | | | |
| 标称容量范围 Nominal Capacitance Range | 10~2200 μF | | | | | | |
| 标称容量允许偏差 Capacitance Tolerance | $\pm 20\%$ (20°C, 120Hz) | | | | | | |
| 漏电流 Leakage Current | $I \leq 0.01\text{CRVR}$ or $3(\mu\text{A})$, 取较大者 (2分钟) CR: 标称容量 (μF) UR额定电压 (V) $I \leq 0.01\text{CRVR}$ or $3(\mu\text{A})$ Whichever is greater (at 20°C, after 2 minutes) | | | | | | |
| 损耗角正切 (tg δ) Dissipation Factor (Max) 20°C, 120Hz | U_r (V) | 6.3 | 10 | 16 | 25 | 35 | 50 |
| | tg δ | 0.26 | 0.19 | 0.16 | 0.14 | 0.12 | 0.10 |
| 耐久性 Load Life | +105°C施加额定电压2000小时后, 电容器应满足以下要求: After 2000 hours . application of rated voltage at 105°C, the capacitor shall meet the following requirement: | | | | | | |
| | 容量变化率 Capacitance Change | $\pm 30\%$ 初始值以内 Within $\pm 30\%$ of the initial value | | | | | |
| | 损耗角正切 Dissipation Factor | $\leq 200\%$ 初始规定值 Not more than 200% of the initial specified value | | | | | |
| | 漏电流 Leakage Current | \leq 初始规定值 Not more than the initial specified value | | | | | |
| 高温贮存 Shelf Life | +105°C 贮存1000小时后, 加额定工作电压30分钟, 电容器应满足以上耐久性要求 After storage for 1000 hours at +105°C, UR to be applied for 30 minutes ,the capacitors shall meet the requirement of load life above | | | | | | |
| 低温特性 Low Temperature Stability 阻抗比 Impedance Ratio (120Hz) | U_g (V) | 6.3 | 10 | 16 | 25 | 35 | 50 |
| | Z(-25°C)/Z(+20°C) | 2 | 2 | 2 | 2 | 2 | 2 |
| | Z(-40°C)/Z(+20°C) | 3 | 3 | 3 | 3 | 3 | 3 |
| | Z(-55°C)/Z(+20°C) | 4 | 4 | 4 | 3 | 3 | 3 |
| 耐焊接热 Resistance to Soldering Heat | 在250°C的条件下, 电容器在热板上保持30秒, 然后从热板上取出电容器, 让其在室温下恢复, 电容器应满足以下要求: The capacitors shall be kept on the hot plate maintained at 250°C for 30 seconds. After removing from the hot plate and restored at room temperature, they meet the following requirement. | | | | | | |
| | 容量变化率 Capacitance Change | $\pm 10\%$ 初始值以内 Within $\pm 10\%$ of the initial value | | | | | |
| | 损耗角正切 Dissipation Factor | \leq 初始规定值 Not more than the initial specified value | | | | | |
| | 漏电流 Leakage Current | \leq 初始规定值 Not more than the initial specified value | | | | | |

外形图及尺寸表 Case Size Table

Φ4~Φ6.3



Φ8~Φ10



单位 Unit: mm

| | 4×5.8 | 5×5.8 | 6.3×5.8 | 6.3×7.7 | 8×10.5 | 10×10.5 |
|---|---------|-------|---------|---------|---------|---------|
| A | 1.35 | 2.1 | 2.4 | 2.4 | 2.9 | 3.2 |
| B | 4.3 | 5.3 | 6.6 | 6.6 | 8.3 | 10.3 |
| C | 4.3 | 5.3 | 6.6 | 6.6 | 8.3 | 10.3 |
| E | 1.0 | 1.3 | 2.2 | 2.2 | 3.1 | 4.5 |
| L | 5.8 | 5.8 | 5.8 | 7.7 | 10.5 | 10.5 |
| H | 0.5~0.8 | | | | 0.8~1.1 | |

标称电容量、额定电压、额定纹波电流与尺寸对应表

Nominal Capacitance, Rated Voltage, Rated Ripple Current and Case Size Table

| 电压 WV (Vdc) | 容量 Cap (μF) | 产品 尺寸 Size | 纹波电流 mArms 120Hz/125°C | 等价串联 电阻(Ω) max/100k Hz | 电压 WV (Vdc) | 容量 Cap (μF) | 产品尺寸 Size | 纹波电流 mArms 120Hz/125°C | 等价串联 电阻(Ω) max/100k Hz |
|-------------------|-------------------|------------------|------------------------------|------------------------------|-------------------|-------------------|--------------|------------------------------|------------------------------|
| 6.3 | 100 | 4×5.8 | 160 | 0.85 | 25 | 33 | 4×5.8 | 160 | 0.85 |
| | 220 | 5×5.8 | 240 | 0.36 | | 47 | 5×5.8 | 240 | 0.36 |
| | 330 | 6.3×5.8 | 300 | 0.26 | | 100 | 6.3×5.8 | 300 | 0.26 |
| | 680 | 6.3×7.7 | 600 | 0.16 | | 220 | 6.3×7.7 | 600 | 0.16 |
| | 1500 | 8×10.5 | 850 | 0.08 | | 470 | 8×10.5 | 850 | 0.08 |
| | 2200 | 10×10.5 | 1190 | 0.06 | | 820 | 10×10.5 | 1190 | 0.06 |
| 10 | 100 | 4×5.8 | 160 | 0.85 | 35 | 22 | 4×5.8 | 160 | 0.85 |
| | 150 | 5×5.8 | 240 | 0.36 | | 47 | 5×5.8 | 240 | 0.36 |
| | 220 | 6.3×5.8 | 300 | 0.26 | | 100 | 6.3×5.8 | 300 | 0.26 |
| | 470 | 6.3×7.7 | 600 | 0.16 | | 150 | 6.3×7.7 | 600 | 0.16 |
| | 1000 | 8×10.5 | 850 | 0.08 | | 330 | 8×10.5 | 850 | 0.08 |
| | 1500 | 10×10.5 | 1190 | 0.06 | | 560 | 10×10.5 | 1190 | 0.06 |
| 16 | 47 | 4×5.8 | 160 | 0.85 | 50 | 10 | 4×5.8 | 85 | 2.3 |
| | 100 | 5×5.8 | 240 | 0.36 | | 22 | 5×5.8 | 165 | 0.88 |
| | 220 | 6.3×5.8 | 300 | 0.26 | | 47 | 6.3×5.8 | 195 | 0.68 |
| | 330 | 6.3×7.7 | 600 | 0.16 | | 82 | 6.3×7.7 | 350 | 0.34 |
| | 680 | 8×10.5 | 850 | 0.08 | | 150 | 8×10.5 | 670 | 0.18 |
| | 1000 | 10×10.5 | 1190 | 0.06 | | 270 | 10×10.5 | 900 | 0.12 |

额定纹波电流频率修正系数

Frequency correction factor for ripple current

| 频率 (Hz) | 120 | 1K | 10K | 100K |
|-----------|------|------|------|------|
| 静电容量 (μF) | | | | |
| 22~150 | 0.40 | 0.75 | 0.90 | 1.0 |
| 220~560 | 0.50 | 0.85 | 0.94 | 1.0 |
| 680~2200 | 0.60 | 0.87 | 0.95 | 1.0 |

目录中记载的内容可能未经提示而变更。贵司在购买时请要求提供承认书，并以此为准使用。

The contents recorded in the catalogue might be changed without any reminder. Please ask for providing the datasheet and take it as standard when purchasing.

单击下面可查看定价，库存，交付和生命周期等信息

[>>CHANG\(华威\)](#)