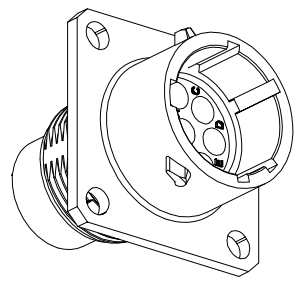
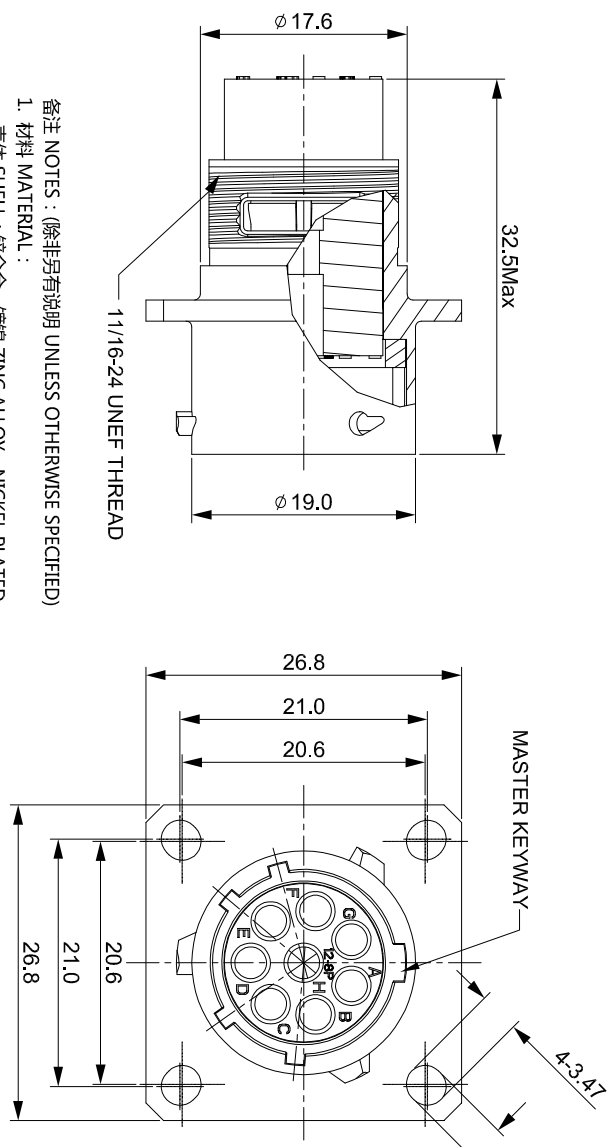
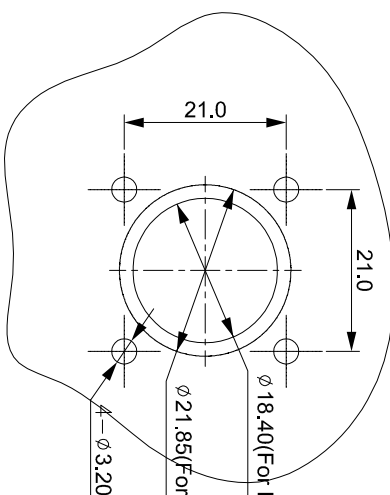


REVISIONS				
REV	ECO	DESCRIPTION	DATE	BY APPR
B1	-	RELEASED DRAWING	JAN-18-2014	ARROW TOMMY



备注 NOTES: (除非另有说明 UNLESS OTHERWISE SPECIFIED)

1. 材料 MATERIAL: 壳体 SHELL: 锌合金, 镀镍 ZINC ALLOY, NICKEL PLATED. 胶芯 INSERT: 热塑性塑料 THERMOPLASTIC, UL94 V-0. 密封胶 SEAL GASKET: 橡胶 RUBBER.
2. 扩展 MODIFICATION: 无 N/A.
3. 规格 SPECIFICATIONS:
  - 3.1 额定电流: 13A(最大) RATED CURRENT: 13A MAX.
  - 3.2 额定电压: 300V(AC/DC), 300V (AC/DC).
  - 3.3 工作温度: -40°C ~ +125°C OPERATING TEMPERATURE: -40°C ~ +125°C.
  - 3.4 耐压: 2000V(漏电流小于2mA). DIELECTRIC WITHSTANDING VOLTAGE: LESS THAN 2000V (LEAKAGE CURRENT LESS THAN 2mA).
  - 3.5 绝缘电阻: 5000兆欧. INSULATION RESISTANCE: 5000 MEGOHMS MIN.
- 3.6 防护等级: IP67. IP-CLASS: IP67.
- 3.7 机械寿命: 200次(至少). MATING CYCLES DURABILITY: 200 CYCLES MIN.
- 3.8 符合RoHS要求 ROHS COMPLIANT.
4. 相匹配的端子: 16# 端子. SUITABLE CONTACTS: 16# CONTACTS.
5. 所有尺寸仅为使用/作参考 ALL DIMENSIONS ARE FOR REFERENCE USE ONLY.



KEY POS	PART NUMBER
N	RT00128PN03
W	RT00128PW03
X	RT00128PX03
Y	RT00128PY03
Z	RT00128PZ03

QUANTITY	SEE PART NUMBER CHART	PART NUMBER	DESCRIPTION	ITEM

SIGNATURES		DATE
DRAWN: ARROW		JAN-17-2014
CHECKED:		
ENGINEER:		
APPROVAL:		

MATERIALS LIST		DESCRIPTION	RECEPTACLE SIZE 12
UNLESS OTHERWISE SPECIFIED		Amphenol	
1) All dimensions are in millimeters (mm).		Sine Systems - www.amphenol-sine.com	
2) Tolerances are as follows:		44724 Moley Drive	
1 Pl. DEC 20.30		Clinton Township, MI 48036	
2 Pl. DEC 20.30			
3 Pl. DEC 20.08			
3) Hole reference = $\Delta$			
MATERIAL SPECIFICATIONS		CUSTOMER:	
PROCESS SPECIFICATIONS:		THIS DRAWING IS SUPPLIED FOR YOUR INFORMATION ONLY. IT IS NOT TO BE USED FOR MANUFACTURING. SPECIFICATIONS AND PERFORMANCE DATA SHOWN HEREON ARE THE PROPERTY OF AMPHENOL. ALL DIMENSIONS ARE SUBJECT TO NORMAL MANUFACTURING VARIATIONS.	
NEXT ASSY:		SCALE: NONE	REVISION: B1

单击下面可查看定价，库存，交付和生命周期等信息

[>>Amphenol\(安费诺\)](#)