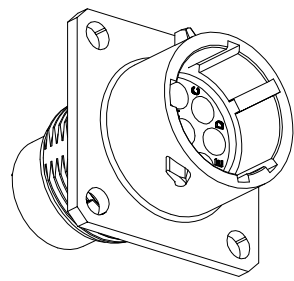
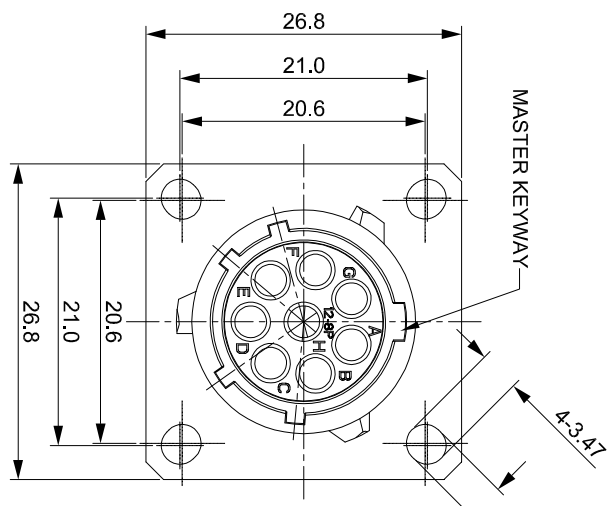
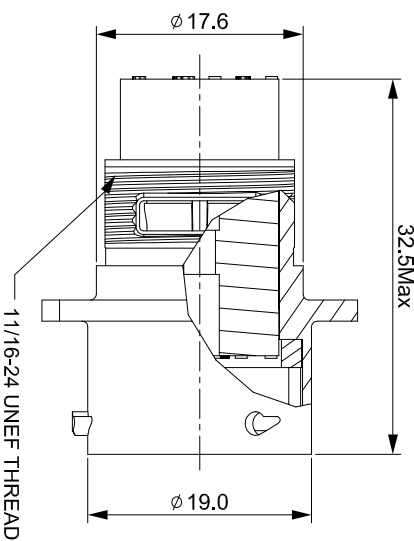


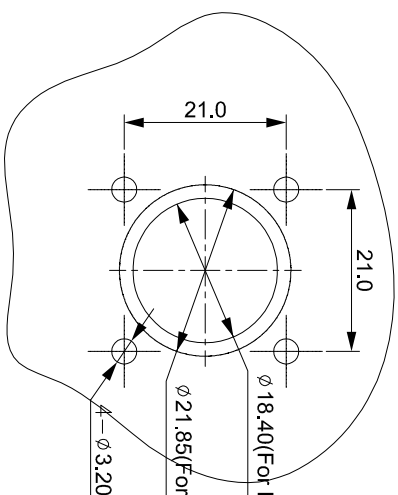
REVISIONS				
REV	ECO	DESCRIPTION	DATE	BY APPR
B1	-	RELEASED DRAWING	JAN-18-2014	ARROW TOMMY



TITLE: RECEPTACLE, SIZE 12 (8POS, PIN)

备注 NOTES: (除非另有说明 UNLESS OTHERWISE SPECIFIED)

1. 材料 MATERIAL: 壳体 SHELL: 锌合金, 镀镍 ZINC ALLOY, NICKEL PLATED. 胶芯 INSERT: 热塑性塑料 THERMOPLASTIC, UL94 V-0. 密封胶 SEAL GASKET: 橡胶 RUBBER.
2. 扩展 MODIFICATION: 无 N/A.
3. 规格 SPECIFICATIONS:
  - 3.1 额定电流: 13A(最大) RATED CURRENT: 13A MAX.
  - 3.2 额定电压: 300V(AC/DC), 300V (AC/DC).
  - 3.3 工作温度: -40°C ~ +125°C OPERATING TEMPERATURE: -40°C ~ +125°C.
  - 3.4 耐压: 2000V(漏电流小于2mA). DIELECTRIC WITHSTANDING VOLTAGE: LESS THAN 2000V (LEAKAGE CURRENT LESS THAN 2mA).
  - 3.5 绝缘电阻: 5000兆欧. INSULATION RESISTANCE: 5000 MEGOHMS MIN.
- 3.6 防护等级: IP67. IP-CLASS: IP67.
- 3.7 机械寿命: 200次(至少). MATING CYCLES DURABILITY: 200 CYCLES MIN.
- 3.8 符合RoHS要求 ROHS COMPLIANT.
4. 相匹配的端子: 16# 端子. SUITABLE CONTACTS: 16# CONTACTS.
5. 所有尺寸均为使用/作参考 ALL DIMENSIONS ARE FOR REFERENCE USE ONLY.



PANEL CUT OUT REFERENCE

KEY POS	PART NUMBER
N	RT00128PNO3
W	RT00128PWO3
X	RT00128PX03
Y	RT00128PY03
Z	RT00128PZO3

QUANTITY	SEE PART NUMBER CHART	PART NUMBER	DESCRIPTION	ITEM

MATERIALS LIST		SIGNATURES		DATE
UNLESS OTHERWISE SPECIFIED	DRAWN: ARROW	CHECKED:	ENGINEER:	JAN-17-2014
1) All dimensions are metric (mm).				
2) Tolerances are as follows:				
1 Pk DEC .0030				
1 Pk DEC .0030				
3 Pk DEC .0008				
3) Hole reference = $\Delta$				
MATERIAL SPECIFICATIONS:	APPROVAL:			
CUSTOMER:				

PROCESS SPECIFICATIONS:	THIS DRAWING IS SUPPLIED FOR YOUR INFORMATION ONLY. SPECIFICATIONS AND PERFORMANCE DATA SHOWN HEREON ARE THE PROPERTY OF AMPHENOL AND ARE NOT TO BE REPRODUCED OR TRANSMITTED IN ANY FORM OR BY ANY MEANS, ELECTRONIC OR MECHANICAL, INCLUDING PHOTOCOPYING, RECORDING, OR BY ANY INFORMATION STORAGE AND RETRIEVAL SYSTEM.	SIZE	TYPE	DWG NO.	REVISION
NEXT ASSY?		B	C-	RT00128P-X03	B1
		SCALE: NONE			
				RECEPTACLE, SIZE 12 (8POS, PIN)	
				Amphenol	
				Sine Systems - www.amphenol-sine.com	
				44724 Moley Drive	
				Clinton Township, MI 48036	
				SHEET 1 OF 1	

单击下面可查看定价，库存，交付和生命周期等信息

[>>Amphenol\(安费诺\)](#)