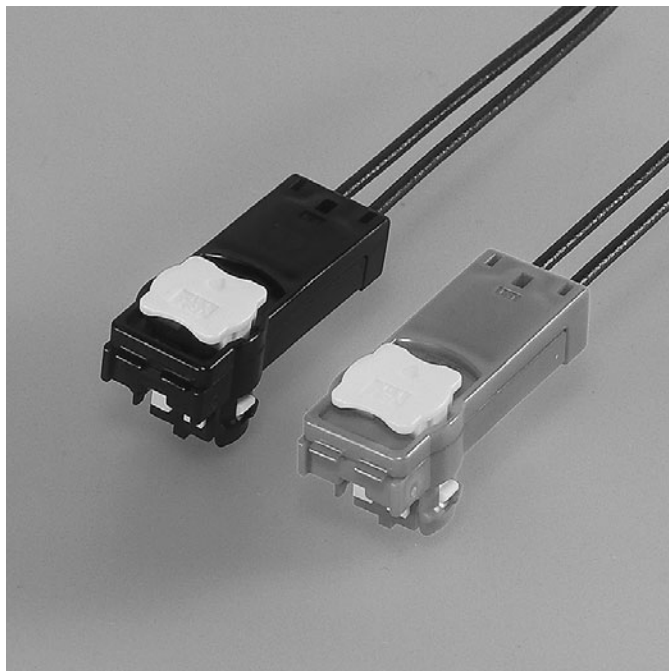


SQS CONNECTOR

Squib connectors



This connector for air-bag has intelligent CPA, which allows locking the connector, incomplete mating detection and release of short-circuit at the same time.

Features

●Mating

Intelligent CPA adopted. It enables the connector to be locked securely and prevents incomplete mating on the assembly line resulting in improved connector retention force.

●Terminal construction

It is designed to prevent the deformation of the contact part when processing wire harness by protecting the contact part of each terminal with a box.

●Scooping (kojiri) preventive construction

Using a shunt ring with a countermeasure for scooping (kojiri), the resistance to scooping (kojiri) insertion and withdrawal is improved.

●Noise suppression

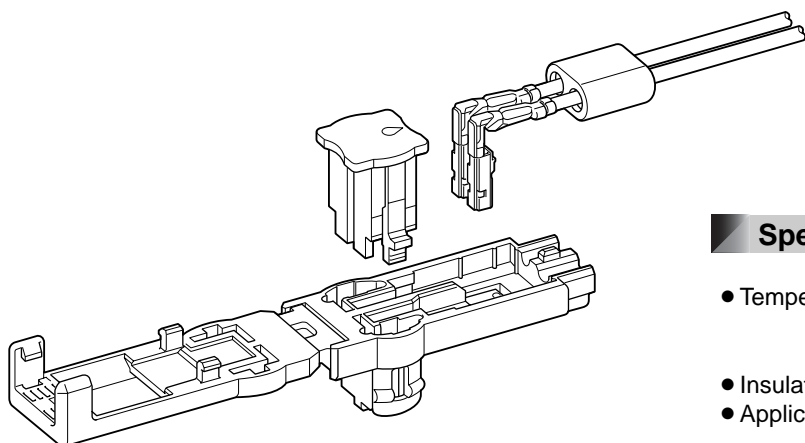
Ferrite core provides simple and reliable noise suppression characteristics.

●Two types of CPA housing

1A type: Normal type

2A type: CPA housing has the jig tool insertion part in a tail part in order to easily connector disassembly operation with a jig tool such as drivers.

- * They are selectable by usage and installed place of connector.
- * Contact JST for details.



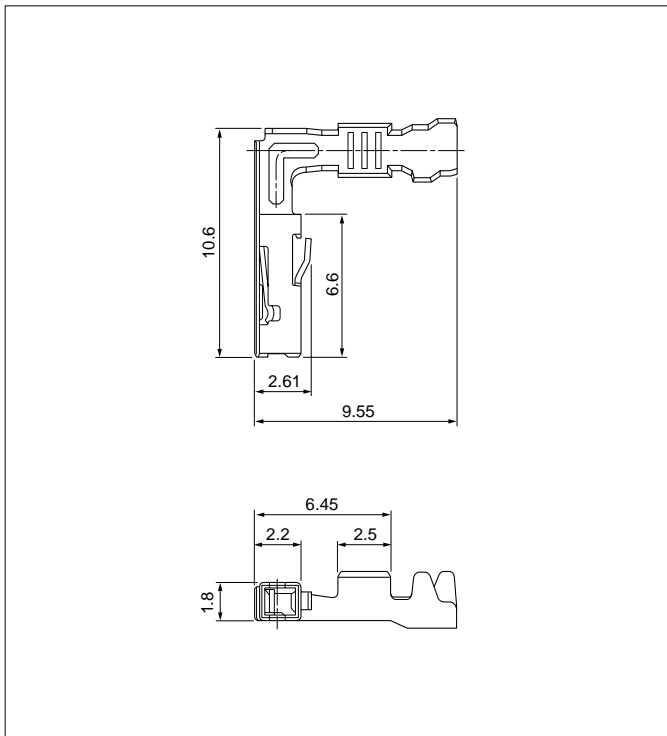
Specifications

- Temperature range: -30°C to $+80^{\circ}\text{C}$
(including temperature rise in applying electrical current)
- Insulation resistance: $100\text{M}\Omega$ min.
- Applicable wire: 0.3mm^2 to 0.5mm^2

- * Compliant with ELV/RoHS.
- * Contact JST for details.

SQS CONNECTOR

Female terminal



| Model No. | Applicable wire range | | Q'ty/reel |
|----------------------|------------------------------|----------------------|-----------|
| | Conductor (mm ²) | Insulation O.D. (mm) | |
| SQS-A03GF-P-P | 0.3 to 0.5 | 1.0 to 1.6 | 6,500 |
| SQS-A03GG-P-P | 0.3 to 0.5 | 1.0 to 1.6 | 6,500 |
| SQS-A03GI-P-P | 0.3 to 0.5 | 1.0 to 1.6 | 6,500 |

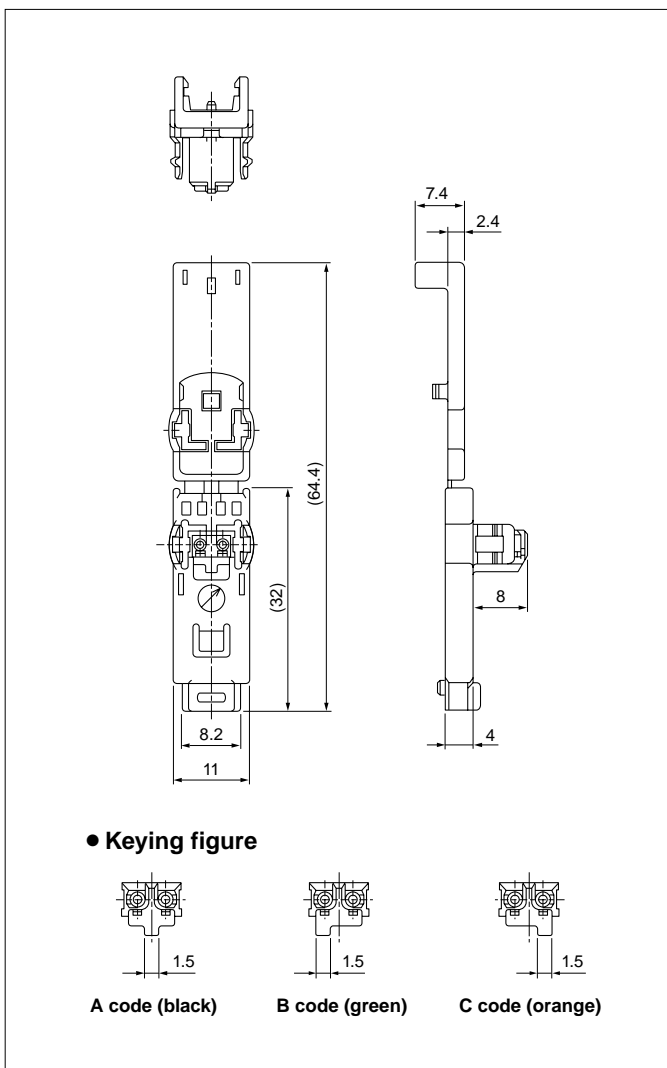
Material and Finish

GF: Copper alloy, nickel-undercoated,
Contact area; gold-plated (0.4μm min.)

GG: Copper alloy, nickel-undercoated,
Contact area; gold-plated (0.4μm min.)
Barrel area; tin-plated

GI: Copper alloy, nickel-undercoated,
Contact area; gold-plated (0.8μm min.)

Female housing



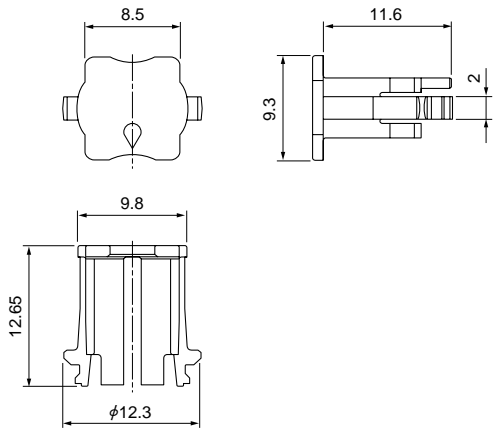
| Circuits | Model No. | Keying figure | Q'ty/box | Color |
|----------|----------------------|---------------|----------|--------|
| 2 | SQSR-02H-1A-K | A code | 1,000 | Black |
| | SQSR-02H-1B-M | B code | 1,000 | Green |
| | SQSR-02H-1C-D | C code | 1,000 | Orange |

Material

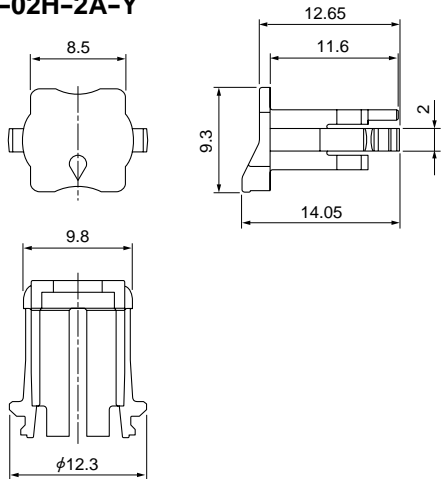
PBT

CPA housing

• SQSC-02H-1A-Y

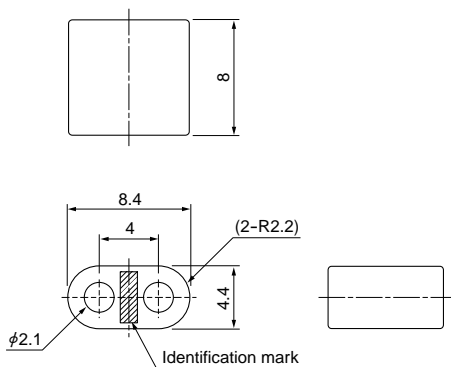


• SQSC-02H-2A-Y



| Circuits | Model No. | Q'ty/box | Color |
|------------------|----------------------|----------|--------|
| 2 | SQSC-02H-1A-Y | 2,000 | Yellow |
| | SQSC-02H-2A-Y | 2,000 | Yellow |
| Material | | | |
| Glass-filled PBT | | | |

Ferrite



| Circuits | Model No. | Q'ty/box |
|----------|-------------------|----------|
| 2 | SQSF-02-1A | 1,000 |

Crimping machine, Applicator

| Strip terminal | Crimping machine | Crimp applicator MKS-L | |
|----------------------|------------------|------------------------|----------------------------|
| | | Dies | Crimp applicator with dies |
| SQS-A03GF-P-P | AP-K2N | MK/SQS-A03-P | APLMK SQS-A03-P |
| SQS-A03GG-P-P | | | |
| SQS-A03GI-P-P | | | |

Note: When crimping operation is conducted using an applicator and die set other than the above, JST cannot guarantee the performance of the terminal.

单击下面可查看定价，库存，交付和生命周期等信息

[>>JST\(杰世腾\)](#)