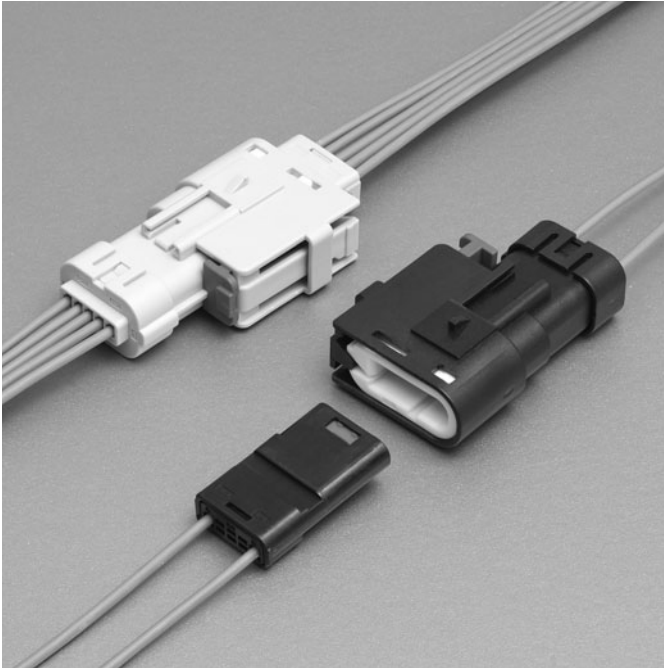
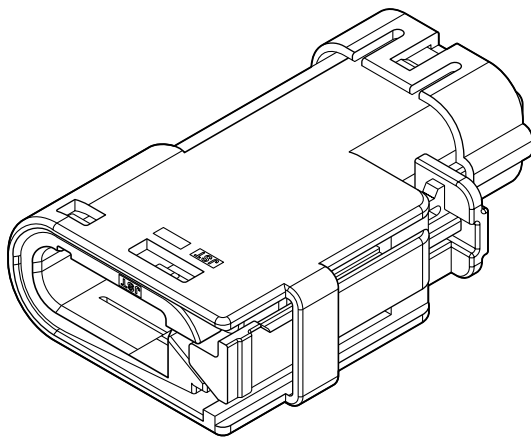
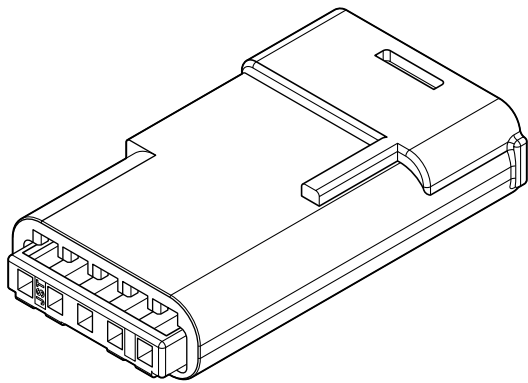


# SRV CONNECTOR

## Wire-to-wire/Sealed Connectors



1.2 Sealed Connector



### Features

- 2 circuits to 5 circuits, Wire-to-Wire Connection
- Connector Position Assurance (CPA) Mechanism
- Sealed Inline Connector
- 1.2 Clean Body Terminals
- Designed for Small Packaging

### Specifications

- Current rating: 7A AC, DC max.
- Voltage rating: 14V AC, DC
- Temperature range: -40°C to +125°C  
(including temperature rise in applying electrical current)
- Contact resistance: Initial value/8.0mΩ max.  
After environmental testing/8.0mΩ max.
- Insulation resistance: 100MΩ min.
- Withstanding voltage: 1,000V AC/minute
- Applicable wire: FLR2X-B  
0.35mm<sup>2</sup> to 0.75mm<sup>2</sup>

- \* Compliant with ELV/RoHS .
- \* Contact JST for details.

## Female terminal

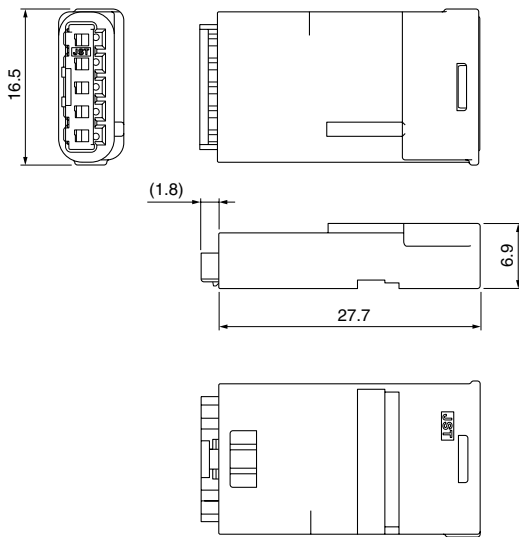
Model No.	Applicable wire range		
	Conductor (mm <sup>2</sup> )	Insulation O.D. (mm)	Gage Size
<b>1670144-1 or equivalent</b>	0.5 to 0.75	1.4 to 1.9	18-20AWG
<b>1534594-1 or equivalent</b>	0.35	1.2 to 1.4	22AWG

### Material and Finish

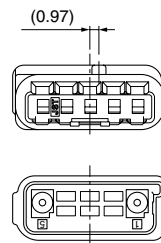
Copper alloy, tin-plated (refer to TE Connectivity for details)

Note: Contact JST for details.

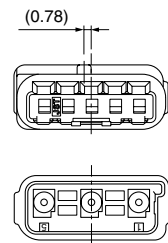
## Female connector



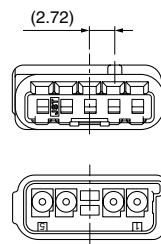
### • 2 circuits (Key D)



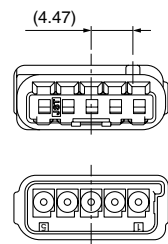
### • 3 circuits (Key C)



### • 4 circuits (Key B)



### • 5 circuits (Key A)



Circuits	Model No.	Q'ty/box	Color of Housing and Back Cover
2	<b>SRVPB-D02-K</b>	300	Black
3	<b>SRVPB-C03-N</b>	300	Brown
4	<b>SRVPB-B04-S</b>	300	Natural
5	<b>SRVPB-A05-H</b>	300	Light gray

### Material

Housing: Glass-filled PBT  
 TPA: Glass-filled PBT, red  
 Matte seal: Silicone, green  
 Back cover: Glass-filled PBT

# SRV CONNECTOR

## Male terminal

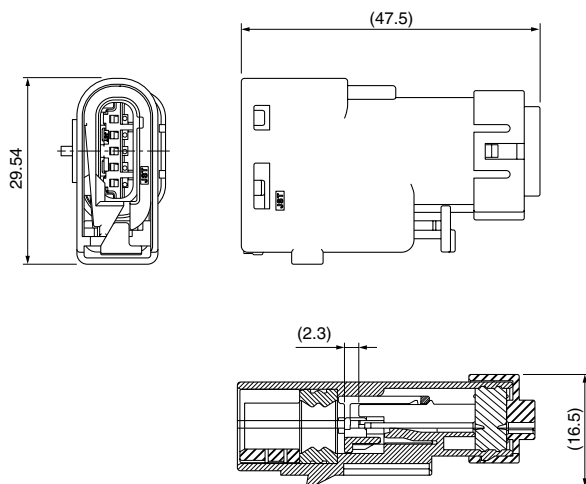
Model No.	Applicable wire range		
	Conductor (mm <sup>2</sup> )	Insulation O.D. (mm)	Gage Size
1718350-1 or equivalent	0.5 to 0.75	1.4 to 1.9	18-20AWG
1718348-1 or equivalent	0.35	1.2 to 1.4	22AWG

### Material and Finish

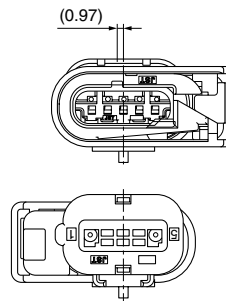
Copper alloy, tin-plated (refer to TE Connectivity for details)

Note: Contact JST for details.

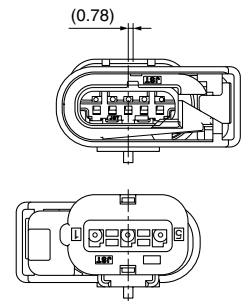
## Male connector



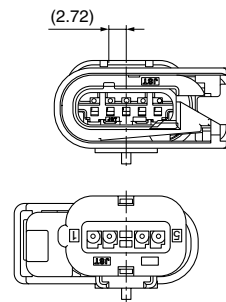
### ● 2 circuits (Key D)



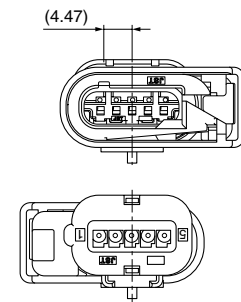
### ● 3 circuits (Key C)



### ● 4 circuits (Key B)



### ● 5 circuits (Key A)



Circuits	Model No.	Q'ty/box	Color of Housing and Back Cover
2	SRVWSB-02-DK	75	Black
3	SRVWSB-03-CN	75	Brown
4	SRVWSB-04-BS	75	Natural
5	SRVWSB-05-AH	75	Light gray

### Material and Finish

Housing: Glass-filled PBT  
 TPA: Glass-filled PBT, red  
 Ring seal: Silicone, green  
 Back cover: Glass-filled PBT  
 CPA: Glass-filled PBT, red  
 Mat seal: Silicone, green  
 Retainer clip: Glass-filled PBT, natural

## Assembly Layout



Note: Tolerances are non-cumulative: ±0.05mm for all centers.

单击下面可查看定价，库存，交付和生命周期等信息

[>>JST\(杰世腾\)](#)