

4

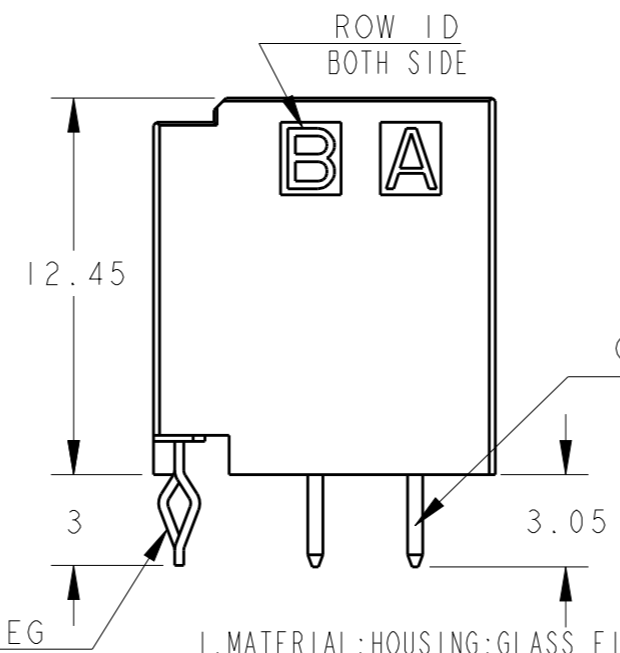
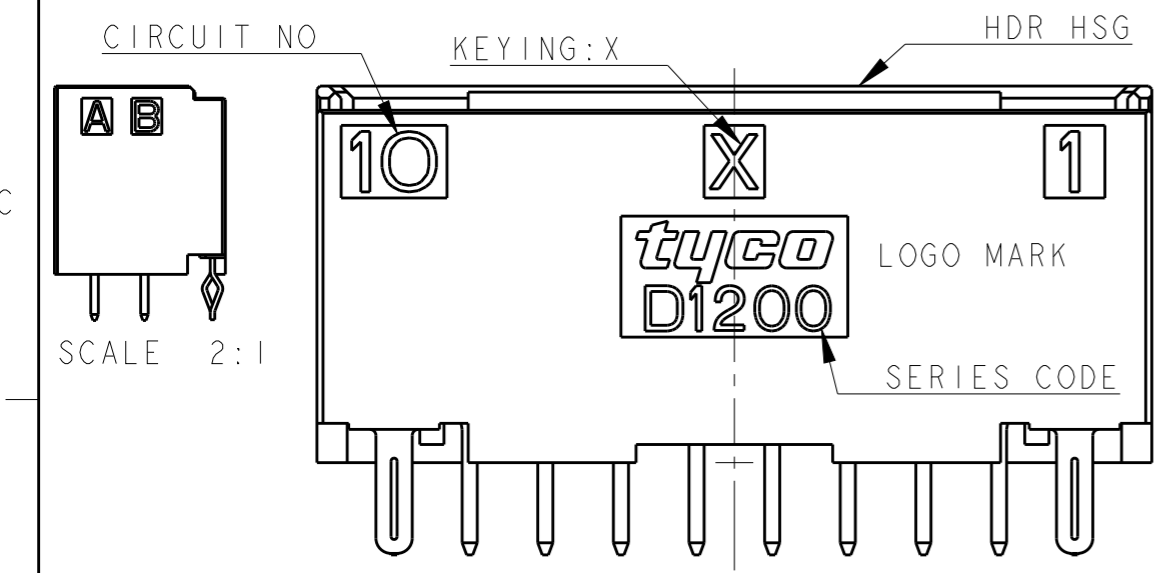
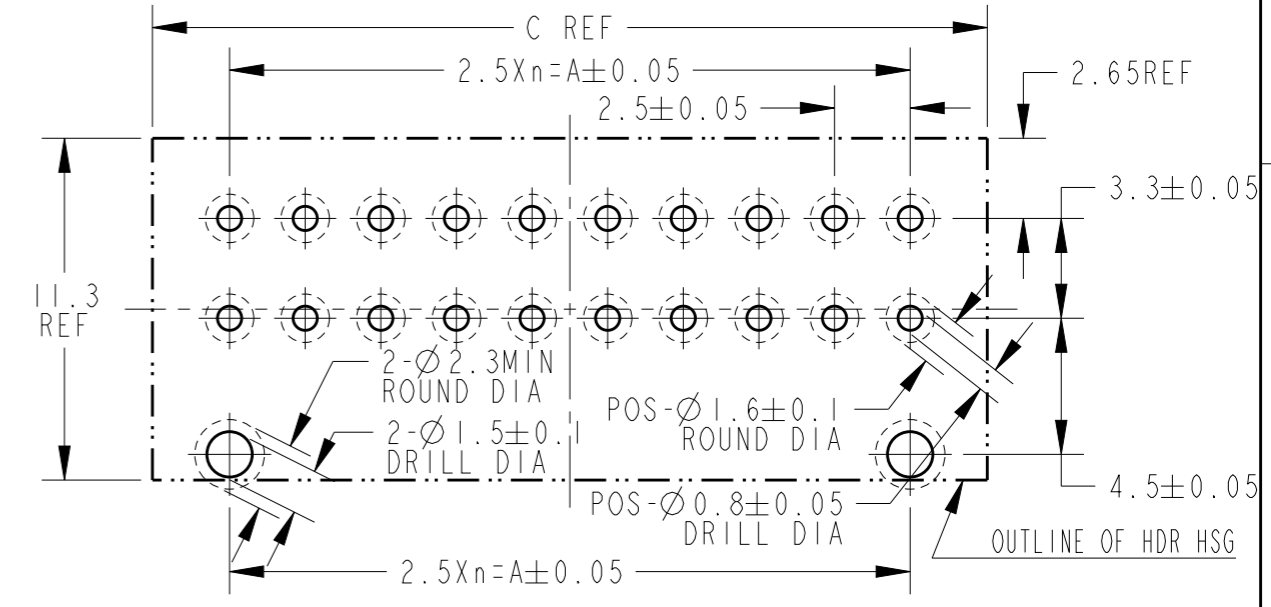
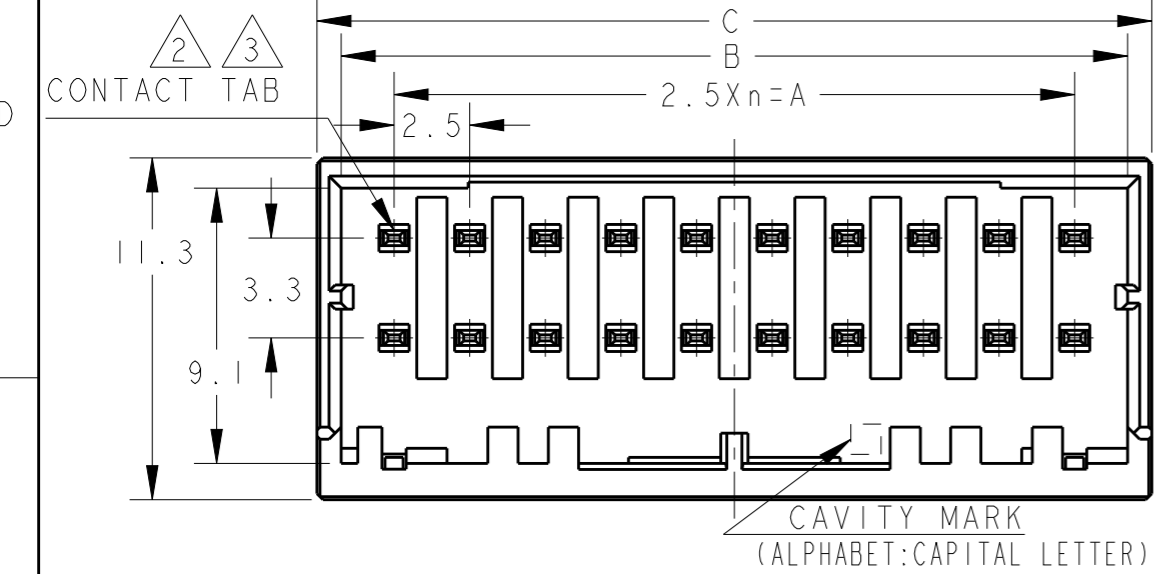
3

2

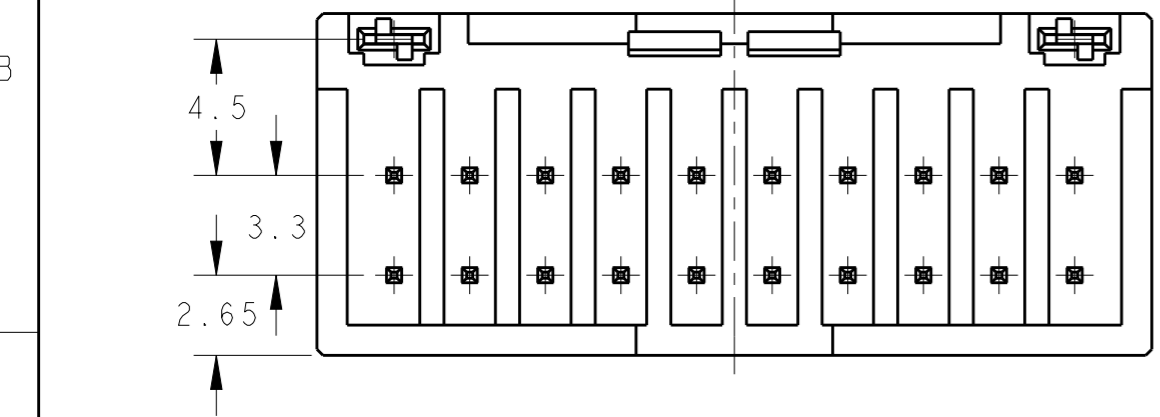
1

THIS DRAWING IS UNPUBLISHED. RELEASED FOR PUBLICATION 20
 © COPYRIGHT 20 BY Tyco Electronics Japan G.K. ALL RIGHTS RESERVED.

LOC	DIST	REVISIONS					
		P	LTR	DESCRIPTION	DATE	DWN	APVD
			A	INITIAL	05DEC2018	F.Z	R.B



RECOMMEND PC BOARD HOLE PATTERN : CONNECTOR MOUNT SIDE (NOT ACCUMULATE TOLERANCE)
 PC BOARD THICKNESS : 1.0~1.6±0.1

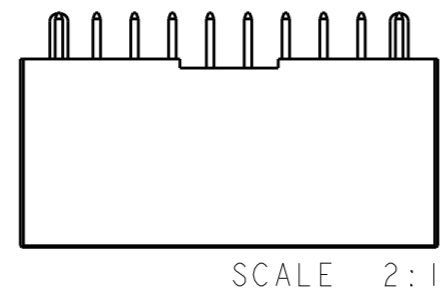
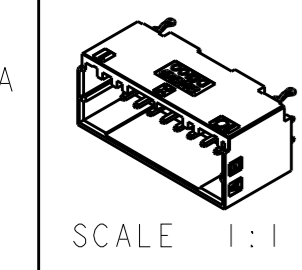


- 1. MATERIAL: HOUSING: GLASS FILLED THERMO PLASTIC POLYESTER (94V-0), COLOR: BLACK
 CONTACT: COPPER ALLOY
 RETENTION LEG: PRE-TIN COPPER ALLOY
- 2. FINISH (ALL OVER): NICKEL PL. 1.27µm MIN
- 3. FINISH (CONTACT OVER): TIN PL. 1.0µm MIN AFTER 2
- 4. THE SHAPE, SIZE AND POSITION OF THE CHARACTER SHOW THE OUTLINE. THEY DON'T SHOW DETAILS.

AS SHOWN : 1-2348454-0 (20 POS: X-KEY)
 ONLY 4 POS --- SEE SHEET 2 OF 3

POS	KEY	n	A	B	C	PART NO
20	X	9	22.5	26.0	27.6	1-2348454-0
16	X	7	17.5	21.0	22.6	1-2348454-8
12	X	5	12.5	16.0	17.6	1-2348454-6
10	X	4	10.0	13.5	15.1	1-2348454-5
8	X	3	7.5	11.0	12.6	1-2348454-4
6	X	2	5.0	8.5	10.1	1-2348454-3
4	X	1	2.5	6.0	7.6	1-2348454-2

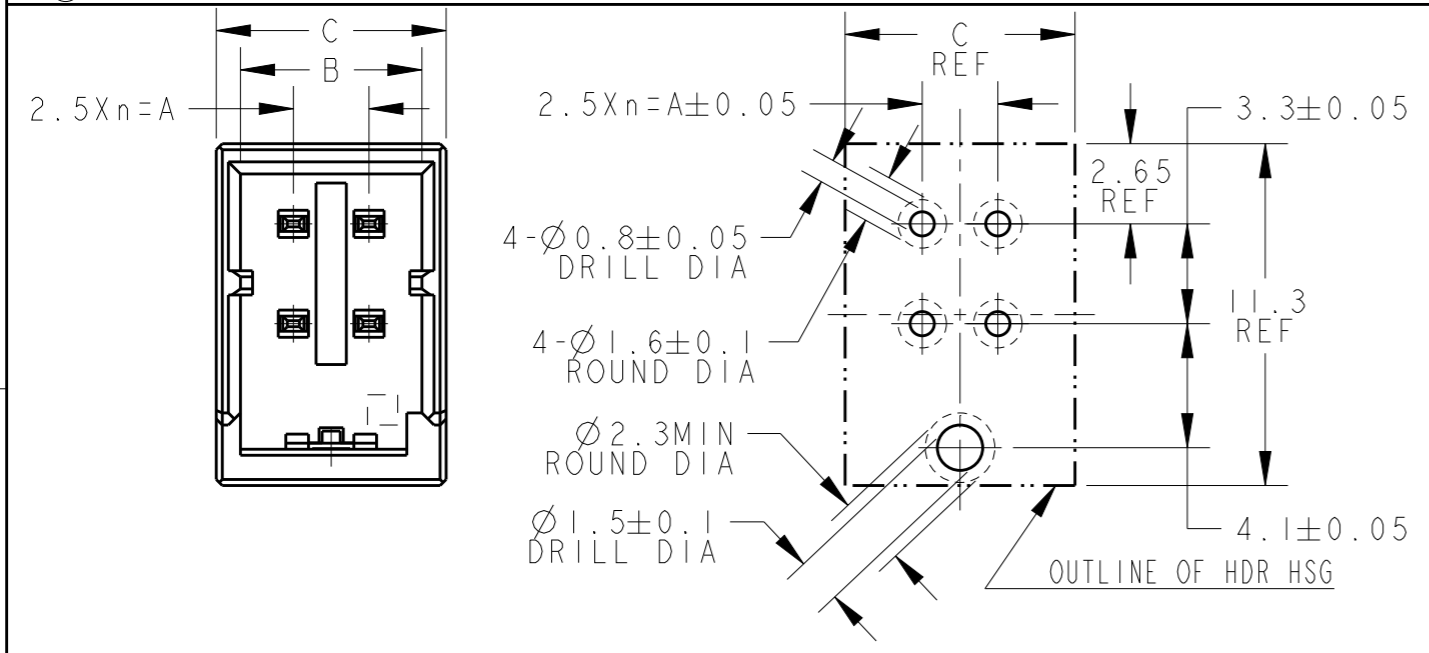
20 POS (X-KEY): 1-2348454-0



THIS DRAWING IS A CONTROLLED DOCUMENT.		DWN 05DEC2018 FISHER.ZHU	 TE Connectivity	
DIMENSIONS: 單位: 耗 mm		CHK 05DEC2018 RICK.BIAN		
TOLERANCES UNLESS OTHERWISE SPECIFIED: 一般公差 ±0.3, ±5°		APVD 05DEC2018 RICK.BIAN	NAME 名称 DYNAMIC D1200D 2.5mm PITCH HDR ASSY (V-TYPE) TIN PLATING 4-20 POS	
0 PLC ±		PRODUCT SPEC 108-78298	SIZE CAGE CODE DRAWING NO 番号 A300779 C-2348454	
1 PLC ±0.3		APPLICATION SPEC 114-5377	RESTRICTED TO	
2 PLC ±0.10		WEIGHT -	SCALE 尺度 4:1 SHEET 1 OF 3 REV A	
3 PLC ±0.001		RESTRICTED CUSTOMER		
4 PLC ±0.0001				
ANGLES ±				
FINISH 仕上 -				
MATERIAL 材料 &material				

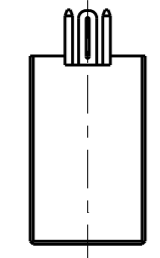
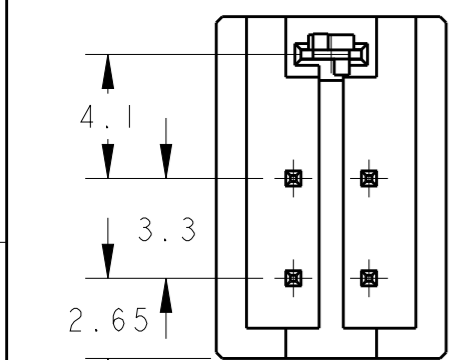
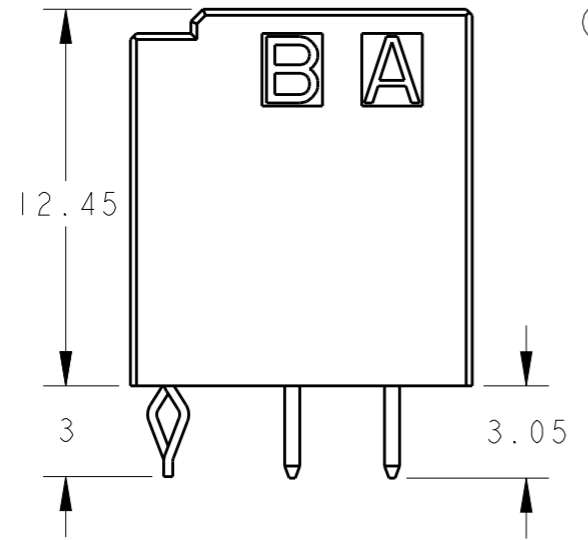
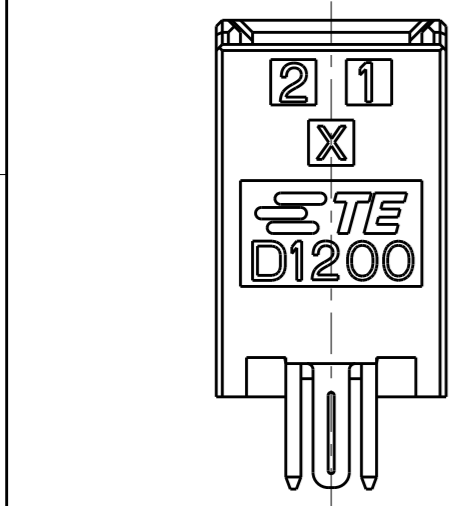
THIS DRAWING IS UNPUBLISHED. RELEASED FOR PUBLICATION
 © COPYRIGHT 20 BY Tyco Electronics Japan G.K. ALL RIGHTS RESERVED.

LOC	DIST	REVISIONS					
		P	LTR	DESCRIPTION	DATE	DWN	APVD
				SEE SHEET 1 OF 3			



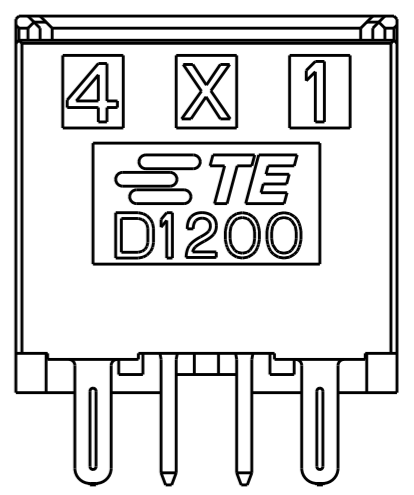
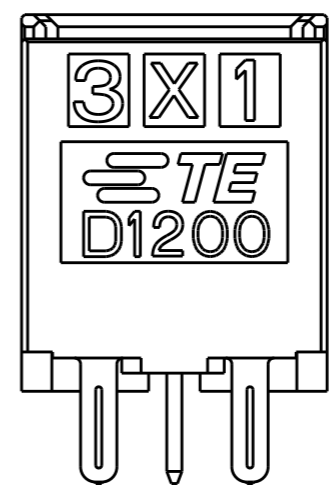
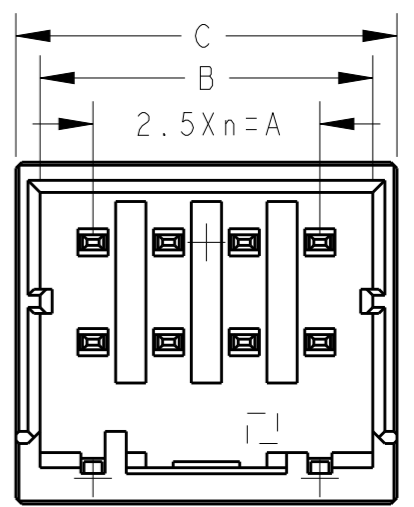
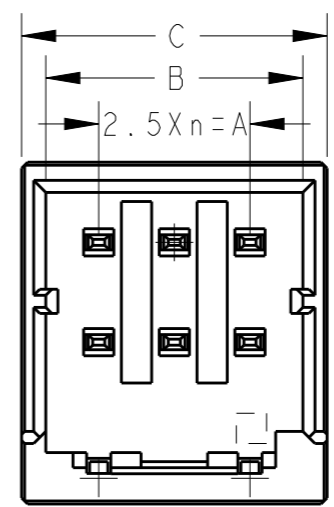
RECOMMEND PC BOARD HOLE PATTERN
 : CONNECTOR MOUNT SIDE (NOT ACCUMULATE TOLERANCE)
 PC BOARD THICKNESS : 1.0~1.6±0.1

ONLY 4POS



SCALE 2:1

4POS(X-KEY):1-2348454-2



6POS(X-KEY):1-2348454-3

8POS(X-KEY):1-2348454-4

THIS DRAWING IS A CONTROLLED DOCUMENT.		DWN 05DEC2018 FISHER, ZHU	TE Connectivity	
DIMENSIONS: mm		CHK 05DEC2018 RICK, BIAN		
TOLERANCES UNLESS OTHERWISE SPECIFIED:		APVD 05DEC2018 RICK, BIAN	NAME DYNAMIC D1200D 2.5mmPITCH HDR ASSY (V-TYPE) TIN PLATING 4-20POS	
0 PLC ±-		PRODUCT SPEC 108-78298	SIZE CAGE CODE DRAWING NO RESTRICTED TO	
1 PLC ±0.3		APPLICATION SPEC 114-5377	A300779 C-2348454	
2 PLC ±0.10		WEIGHT -	RESTRICTED TO	
3 PLC ±0.001			SCALE 4:1 SHEET 2 OF 3 REV A	
4 PLC ±0.0001				
ANGLES ±-				
MATERIAL & material FINISH -				

SEE SHEET 1 OF 3

THIS DRAWING IS UNPUBLISHED.

RELEASED FOR PUBLICATION

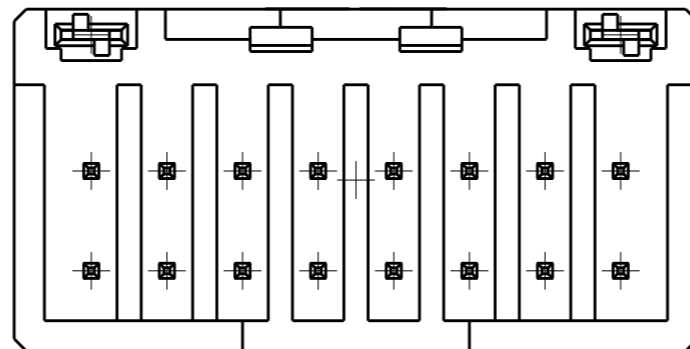
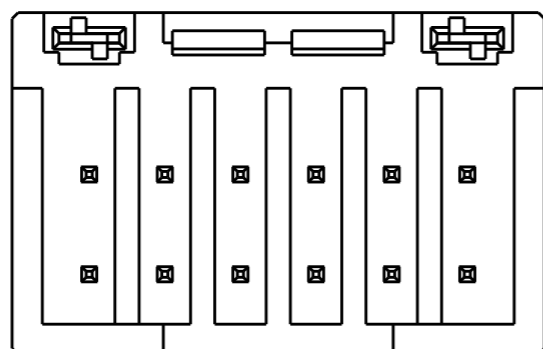
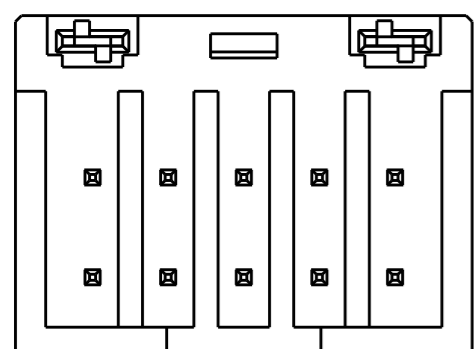
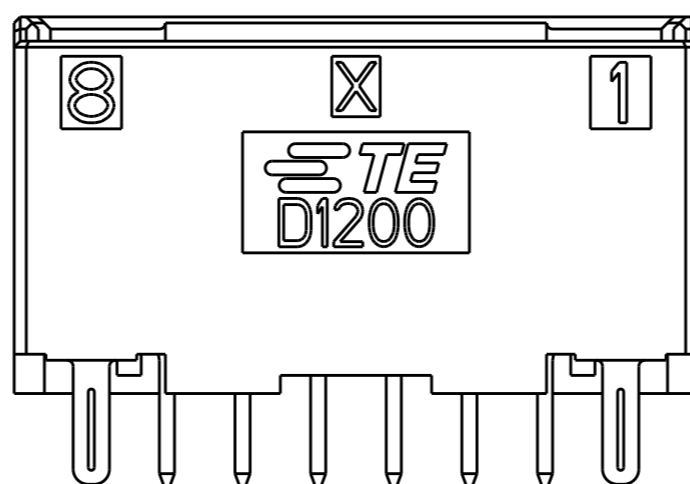
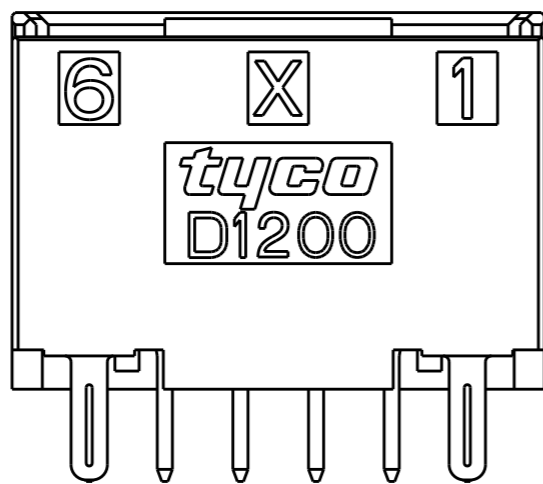
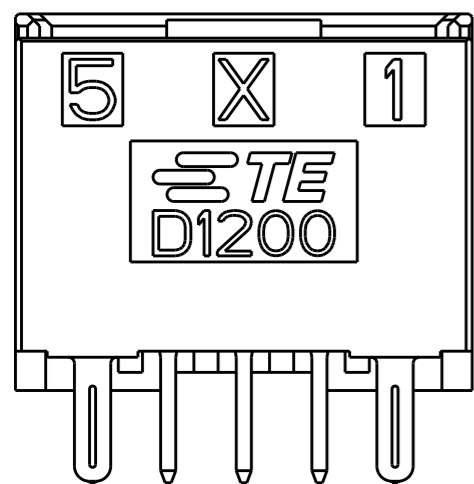
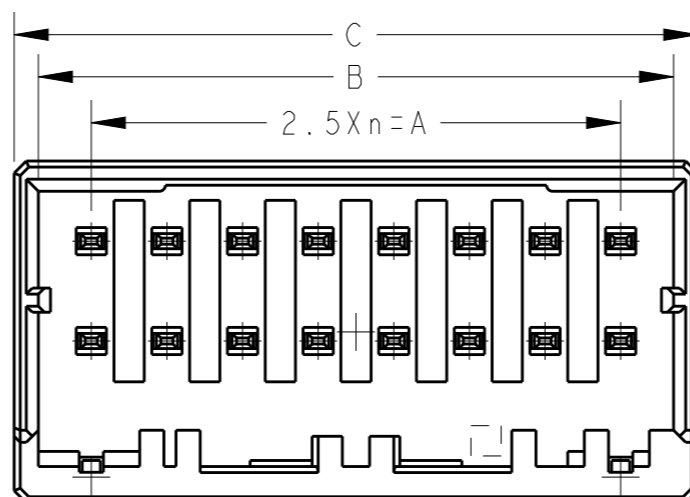
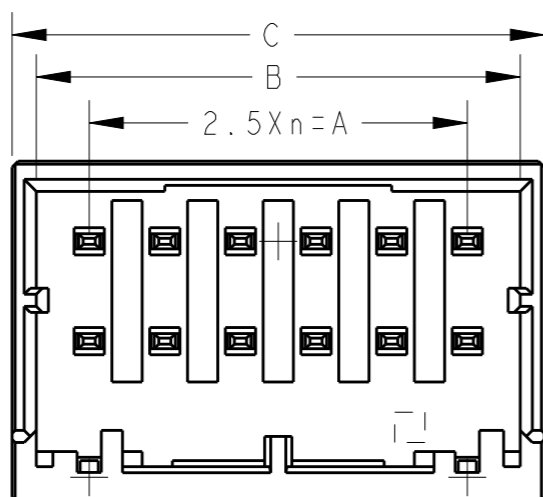
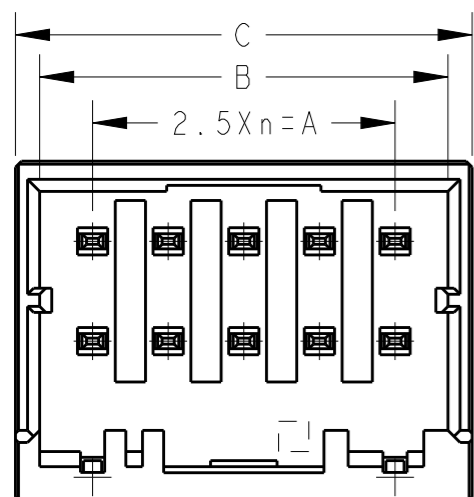
20

LOC DIST

REVISIONS

© COPYRIGHT 20 BY Tyco Electronics Japan G.K. ALL RIGHTS RESERVED.

P	LTR	DESCRIPTION	DATE	DWN	APVD
		SEE SHEET 1 OF 3			



10POS(X-KEY): 1-2348454-5

12POS(X-KEY): 1-2348454-6

16POS(X-KEY): 1-2348454-8

THIS DRAWING IS A CONTROLLED DOCUMENT.		DWN FISHER.ZHU 05DEC2018	TE Connectivity	
DIMENSIONS: mm		CHK RICK.BIAN 05DEC2018		
TOLERANCES UNLESS OTHERWISE SPECIFIED: 0 PLC ±0.3 2 PLC ±0.10 3 PLC ±0.001 4 PLC ±0.0001 ANGLES ±		APVD RICK.BIAN 05DEC2018	NAME DYNAMIC D1200D 2.5mmPITCH HDR ASSY (V-TYPE) TIN PLATING 4-20POS	
MATERIAL & material		PRODUCT SPEC 108-78298	RESTRICTED TO	
		APPLICATION SPEC 114-5377	SIZE A3	CAGE CODE 00779
		WEIGHT -	DRAWING NO C-2348454	
		RESTRICTED CUSTOMER	SCALE 4:1	SHEET 3 OF 3
			REV A	

SEE SHEET 1 OF 3

单击下面可查看定价，库存，交付和生命周期等信息

[>>TE Connectivity\(泰科\)](#)