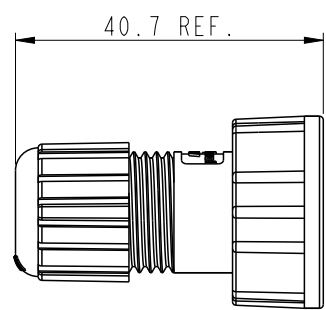
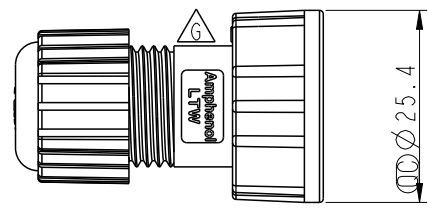
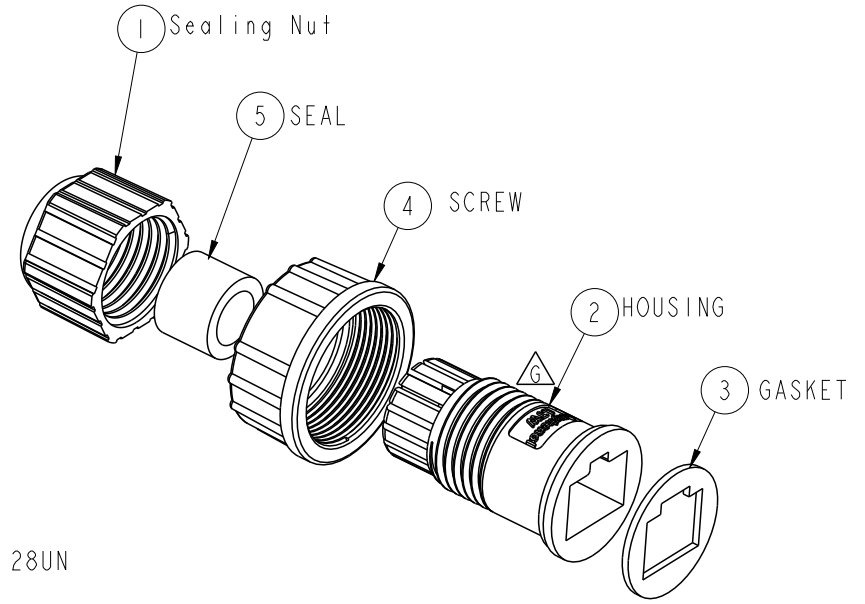
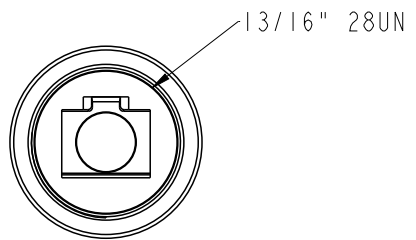


| REV. | ECN NO. | DATE | SIGN | DESCRIPTION |
|------|-------------|------------|-----------|--------------------------|
| E | LEN1130437 | 2011/03/14 | Jiang Jun | Add Cable OD Description |
| F | LEN1190125 | 2011/09/02 | Allen | Undate Nute |
| G | LEN-1310116 | 2013/01/09 | RAISON | ADD LOGO |



ALTW
CONFIDENTIAL
 2013-02-01
R&D DEPT.



- Note:
- * \varnothing Important Dimension
 - * Waterproof Rate : IP67 (Mating)
 - * Housing : Nylon+GF,Black
 - * Gasket : EPDM,Black.
 - * Screw Nut : Nylon+GF,Black
 - * Sealing Nut: Nylon,Black
 - * Seals: EPDM,Black
 - * Seals for cable OD \varnothing 4.5~6.0mm
 - * One Set Unassembled in One PE Bag.

| | | |
|-----------|----------|--|
| UNIT: mm | | |
| TOLERANCE | .X ±0.25 | |
| .XX | ±0.1 | |
| .XXX | ±0.05 | |
| ANGLES | ±1° | |

| | | | |
|---------------------------------|----------------|---------------------------------|--|
| TITLE 13/16" RJ45 ASS'Y TYPE | | | |
| SCALE 1:1 | SIZE A4 | SHEET 1 OF 1 | |
| REV. G | WC-REV. A.3 | \varnothing : Inspection item | |

Amphenol LTW
安費諾亮泰企業股份有限公司

| | | |
|------------------------------|-------------------------|--------------------|
| ITEM NO RJ-00BMMMA-SL7005 | DRAWN BY Raison_liao | DATE 2013-02-01 |
| DWG NO RJ-00BMMMA-SL7005 | CHECKED BY TONY | DATE 2013-02-01 |
| CUSTOMER ALTW | APPROVED BY VICTOR | DATE 2013-02-01 |

THIS DOCUMENT IS SUBJECT TO CHANGE WITHOUT NOTICE. IT IS CONFIDENTIAL AND A PROPERTY OF Amphenol LTW. DISCLOSURE TO THIRD PARTY HAS TO BE AUTHORIZED BY Amphenol LTW.

单击下面可查看定价，库存，交付和生命周期等信息

[>>Amphenol\(安费诺\)](#)