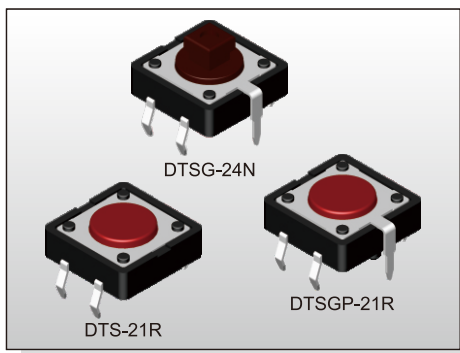


# TACT SWITCH DTS(G)(P)-2 SERIES

## 12x12 Through Hole With Ground Terminal Type



### FEATURES

- ※ Snap in type with ground pin
- ※ Guide bosses available
- ※ Cap options

### APPLICATION

- ※ Audio, OA equipment
- ※ Instrumentation
- ※ Industrial

### SPECIFICATION

Contact Rating	50mA, 12V DC
Contact Resistance	100mΩ max.
Insulation Resistance	100MΩ min. 500V DC
Dielectric Strength	250V AC/1 minute
Operating Force	130±50gf, Black(K) 160±50gf, Brown(N) 260±50gf, Red(R) 320±80gf, Salmon(S) 520±130gf, Yellow(Y)
Travel	0.35mm
Operating Life	Phosphor Bronze Dome 100,000 cycles for 520/320/260gf 200,000 cycles for 160gf
	Stainless Steel Dome 300,000 cycles for 520/320gf 500,000 cycles for 260gf 1,000,000 cycles for 160gf 10,000,000 cycles for 130gf
Operating Temp.	-25°C ~ +70°C
Storage Temp.	-30°C ~ +80°C

### HOW TO ORDER

**D T S**   - **2**   -  -  -

= Without Ground Pin  
G = With Ground Pin

= Without Post  
P = With Post

Dimension H:  
1=4.30mm  
3=7.40mm  
4=7.30(SQ.)x3.80mm  
5=8.50mm

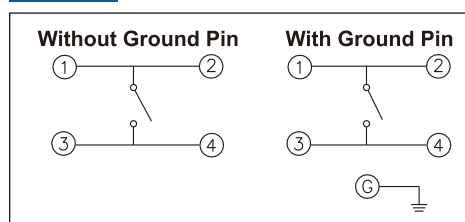
Package:  
 = Bulk pack  
B = Tube (DTS-2 Only)

V = RoHS & Lead Free Solderable  
Q = Halogen Free

= Phosphor Bronze Dome (Except 130gf)  
S = Stainless Steel Dome

Operating Force:  
K=Black, 130g  
N=Brown, 160gf  
R=Red, 260gf  
S=Salmon, 320gf  
Y=Yellow, 520gf

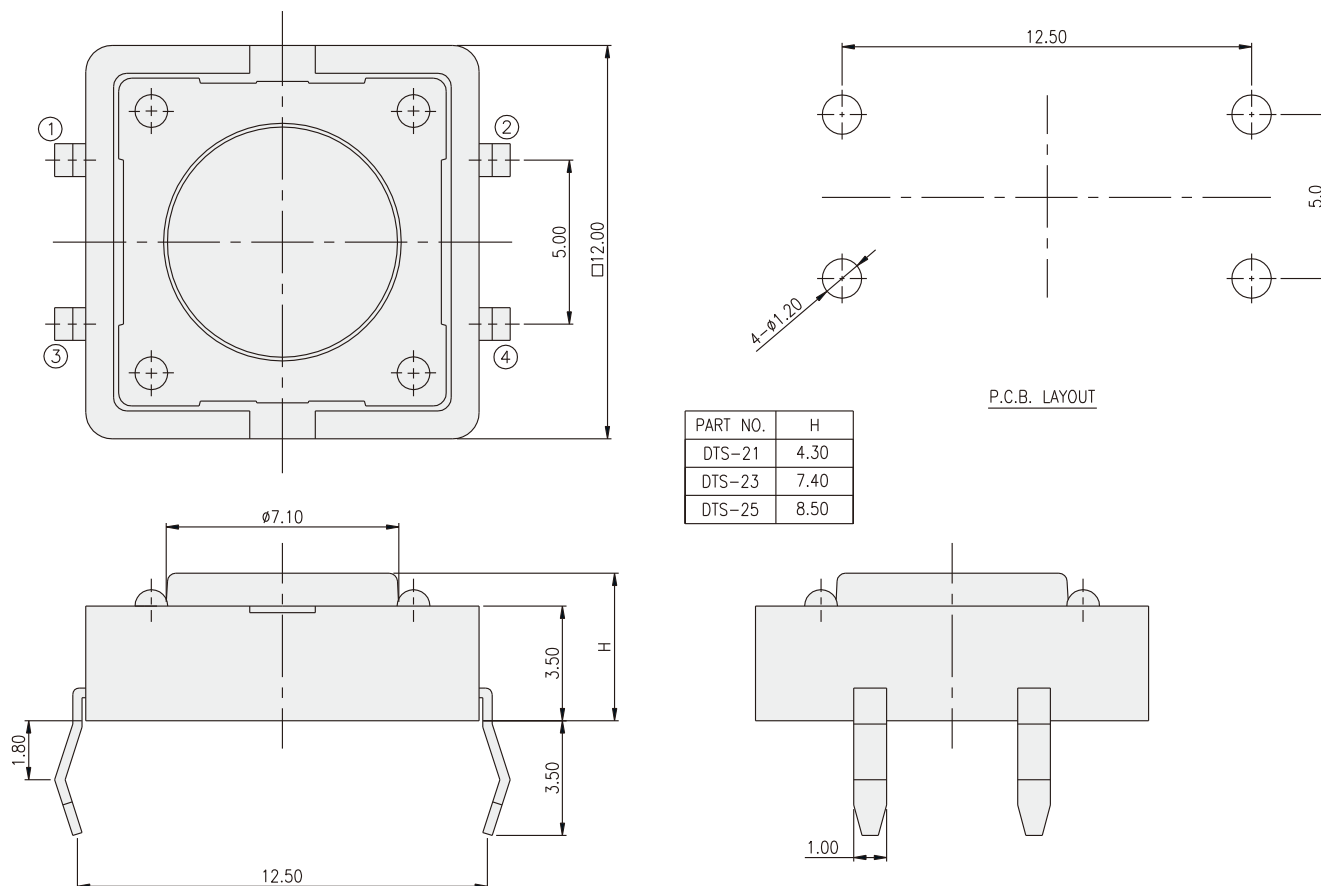
### CIRCUIT



### PACKAGE

<Bag>  
500 pcs  
<Tube>  
DTS-2: 40 pcs

### DTS-2



**DTS-24**

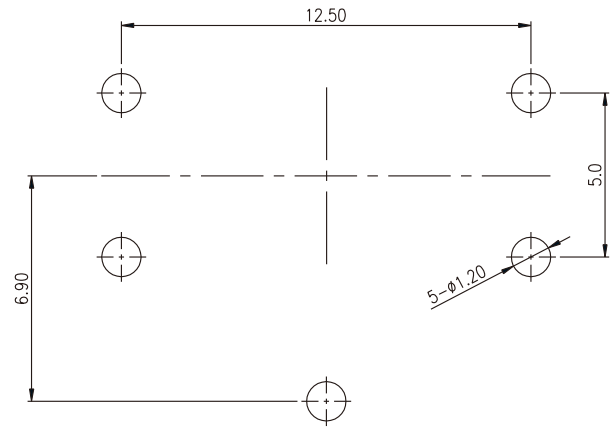
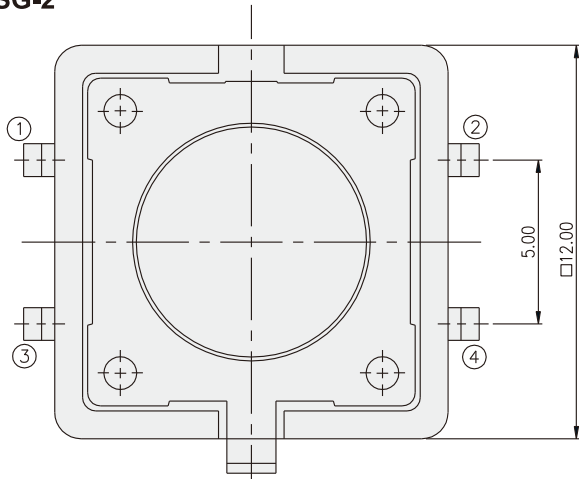


**DTSP-24**



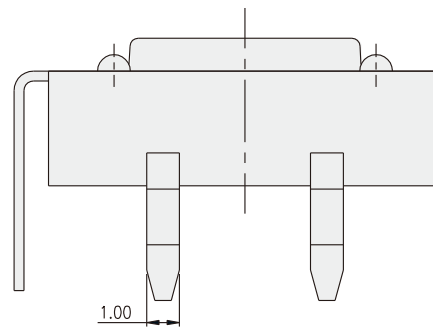
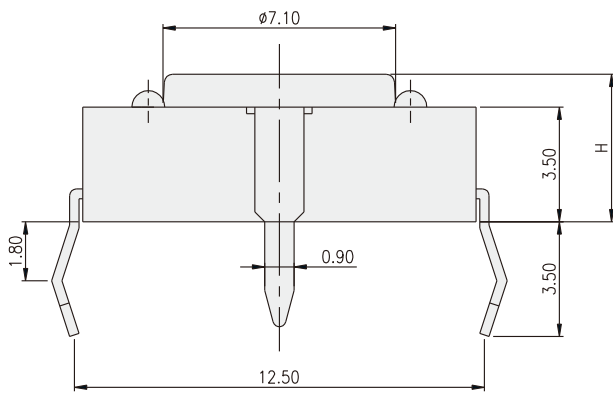
TACT SWITCH

**DTSG-2**



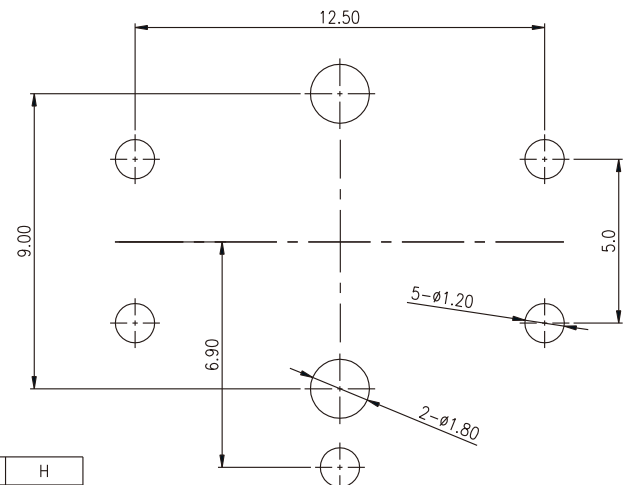
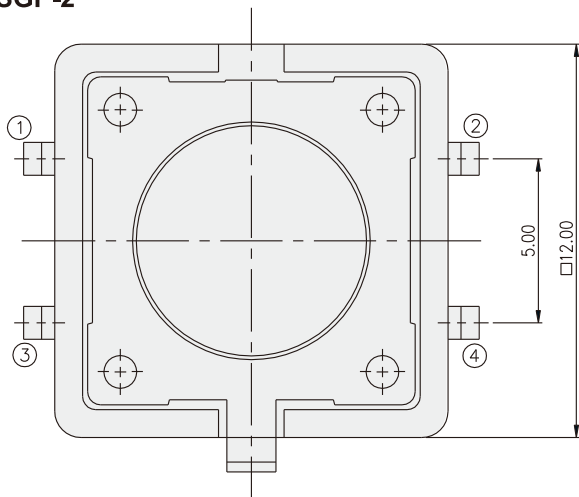
PART NO.	H
DTSG-21	4.30
DTSG-23	7.40
DTSG-25	8.50

P.C.B. LAYOUT



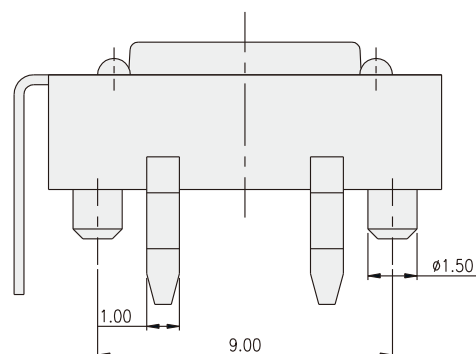
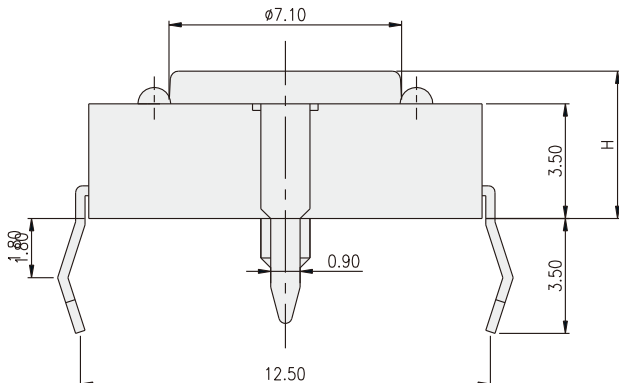
TACT SWITCH

**DTSGP-2**



PART NO.	H
DTSGP-21	4.30
DTSGP-23	7.40
DTSGP-25	8.50

P.C.B. LAYOUT



单击下面可查看定价，库存，交付和生命周期等信息

[>>Diptronics\(圆达\)](#)