



ORIENT

Photo coupler

Product Data Sheet

Part Number: ORPC-852

Customer: _____

Date: _____

SHENZHEN ORIENT COMPONENTS CO ., LTD

Block A 3rd Floor No.4 Building, Tian'an Cyber Park, Huangge Rd, LongGangDist, Shenzhen, GD

TEL: 0755-29681816

FAX: 0755-29681200

www.orient-opto.com

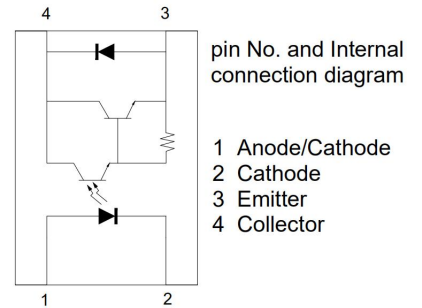
1. Features

- (1) High collector- emitter voltage ($V_{CEO} = 350V$)
- (2) High current transfer ratio (CTR : MIN. 1000% at $I_F = 1mA, V_{CE} = 2V$)
- (3) High isolation voltage between input and output ($V_{iso} = 5000 V_{rms}$)
- (4) In compliance with RoHS, REACH standards
- (5) Safety approval
 - UL approved (No.E323844)
 - VDE approved(No.40029733)
 - CQC approved (No.CQC09001029446 CQC13001086898)



2. Description

- (1) The OR-852 series devices consist an infrared emitting diodes, optically coupled to a high voltage photo Darlington detector.
- (2) The devices are in a 4-pin DIP package and available in wide-lead spacing and SMD option.



3. Applications

- (1) Telephone set,telephone exchangers
- (2) System appliances,measuring instruments
- (3) Sequence controllers
- (4) Signal transmission between circuits of different potentials and impedances

4. Absolute Maximum Ratings at Ta=25°C

Parameter		Symbol	Rated Value	Unit
Input	Forward Current	I_F	60	mA
	Peak forward current (100µs pulse, 100Hz frequency)	I_{FP}	1	A
	Reverse Voltage	V_R	6	V
	Power dissipation	P_D	60	mW
Output	Collector and emitter Voltage	V_{CEO}	350	V
	Emitter and collector Voltage	V_{ECO}	0.1	
	Collector Current	I_C	150	mA
	Consume Power	P_C	150	mW
Total Power Dissipation		P_{tot}	200	mW
*1 Isolation Voltage		V_{iso}	5,000	Vrms
Operating Temperature		T_{opr}	-50 to + 110	°C
Storage Temperature		T_{stg}	-55 to + 125	
*2 Soldering Temperature		T_{sol}	260	

1. AC For 1 Minute, R.H. = 40 ~ 60%

Isolation voltage shall be measured using the following method.

- (1) Short between anode and cathode on the primary side and between collector and emitter on the secondary side.
- (2) The isolation voltage tester with zero-cross circuit shall be used.
- (3) The waveform of applied voltage shall be a sine wave.

2. For 10 Seconds

5. Electro-Optical Characteristics (Ta=25°C unless specified otherwise)

Parameter		Symbol	Min	Typ.*	Max	Unit	Condition
Input	Forward Voltage	V_F	---	1.2	1.4	V	$I_F=10\text{mA}$
	Reverse Current	I_R	---	---	5	μA	$V_R=5\text{V}$
	Collector capacitance	C_t	---	30	250	pF	$V=0, f=1\text{KHz}$
Output	Collector to emitter Current	I_{CEO}	---	---	100	nA	$V_{CE}=200\text{V}, I_F=0\text{mA}$
	Collector and Emitter attenuation Voltage	BV_{CEO}	350	---	---	V	$I_C=0.1\text{mA}, I_F=0\text{mA}$
	Emitter and Collector attenuation Voltage	BV_{ECO}	0.1	---	---	V	$I_E=0.1\text{mA}, I_F=0\text{mA}$
Transforming Characteristics	*1 Current conversion ratio	CTR	1000	---	15000	%	$I_F=1\text{mA}, V_{CE}=2\text{V}$
	Collector Current	I_C	10	---	150	mA	
	Collector and Emitter Saturation Voltage	$V_{CE(sat)}$	---	---	1.2	V	$I_F=20\text{mA}, I_C=100\text{mA}$
	Insulation Impedance	R_{iso}	5×10^{10}	1×10^{12}	---	Ω	DC500V 40~60%R.H.
	Floating Capacitance	C_f	---	0.6	1.0	pF	$V=0, f=1\text{MHz}$
	Cut-off Frequency	f_c	---	6	---	kHz	$V_{CE}=5\text{V}, I_C=2\text{mA}, R_L=100\Omega, -3\text{dB}$
	Rise Time	t_r	---	40	---	μs	$V_{CC}=10\text{V}, I_C=10\text{mA}, R_L=100\Omega$
	Descend Time	t_f	---	15	---	μs	
	Turn-On Time	t_{on}	---	50	---	μs	
Turn-Off Time	t_{off}	---	15	---	μs		

*1 Current Conversion Ratio = $I_C / I_F \times 100\%$, CTR Tolerance: $\pm 3\%$.



6. Order Information

Part Number

ORPC-852T-W-X-Y-Z

Note

T = Lead form option (S, M or none)

W = Tape and reel option (TP, TP1 or none).

X = Lead frame option (F: Iron, C:copper)

Y = 'V' code for VDE safety (This options is not necessary).

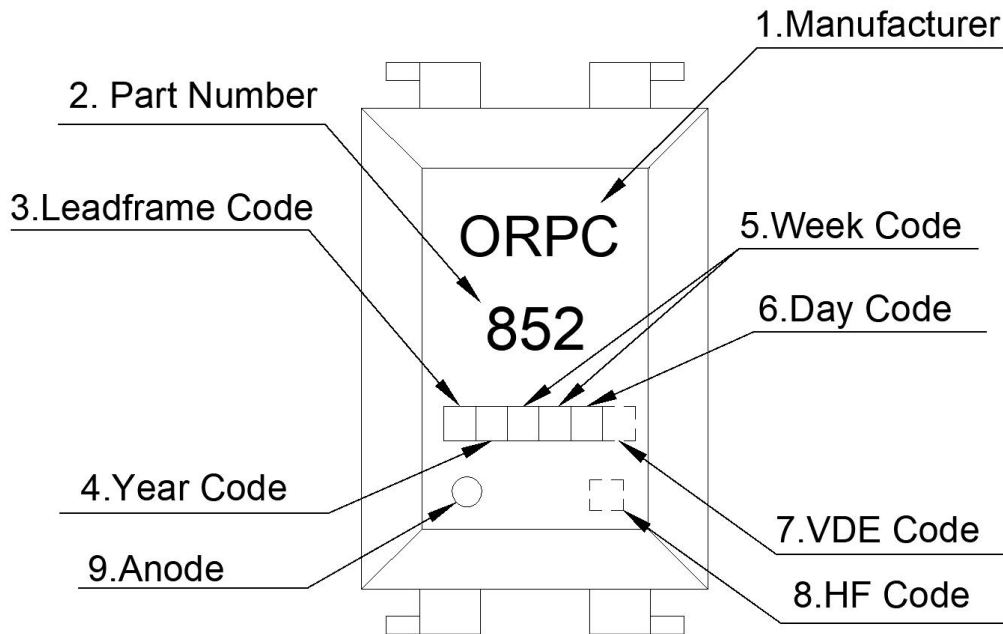
Z = 'G' code for Halogen free (This options is not necessary).

* VDE Code can be selected.

* Halogen Free can be selected.

Option	Description	Packing quantity
None	Standard DIP-4	100 units per tube
M	Wide lead bend (0.4 inch spacing)	100 units per tube
S(TP)	Surface mount lead form (low profile) + TP tape & reel option	2000 units per reel
S(TP1)	Surface mount lead form (low profile) + TP1 tape & reel option	2000 units per reel

7. Naming Rule



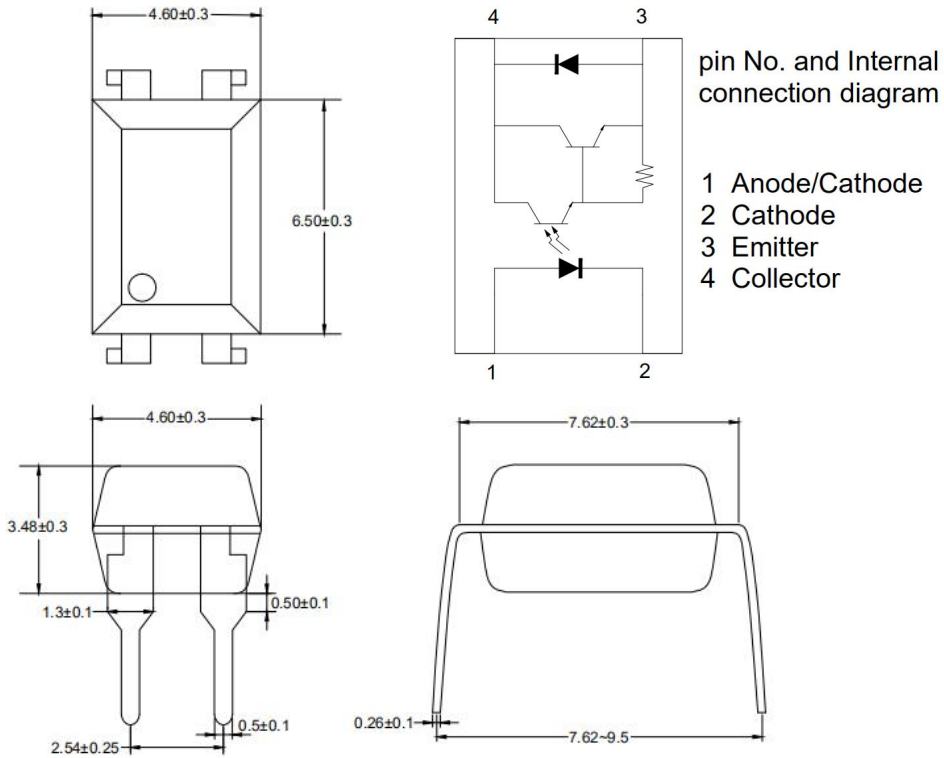
1. Manufacturer : ORIENT.
2. Part Number : 852.
3. Lead frame Code : 'F' means Iron, 'C' means Copper.
4. Year Code : '1' means '2021' and so on.
5. Week Code : 01 means the first week, 02 means the second week and so on.
6. Day Code : 'A to F' means 'Monday to Sunday'.
7. VDE Code .
8. HF Code : Halogen Free.
9. Anode.

* Halogen Free Mark can be selected.

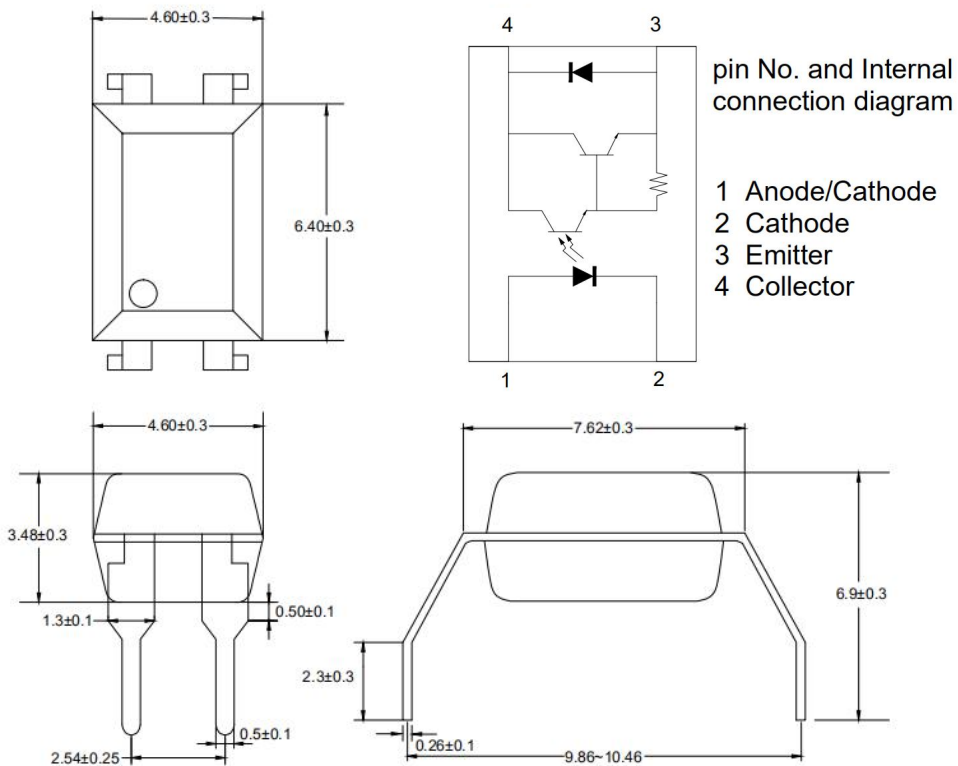
* VDE Mark can be selected.

8. Package Dimension (Unit: mm)

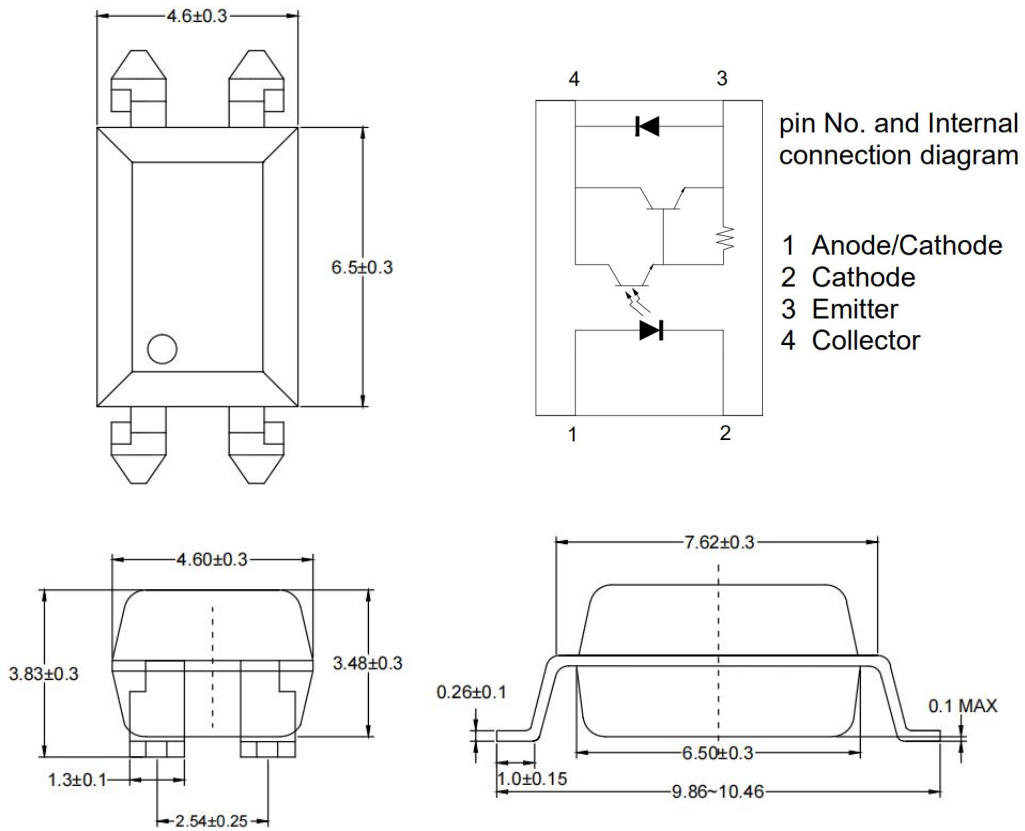
1. ORPC-852



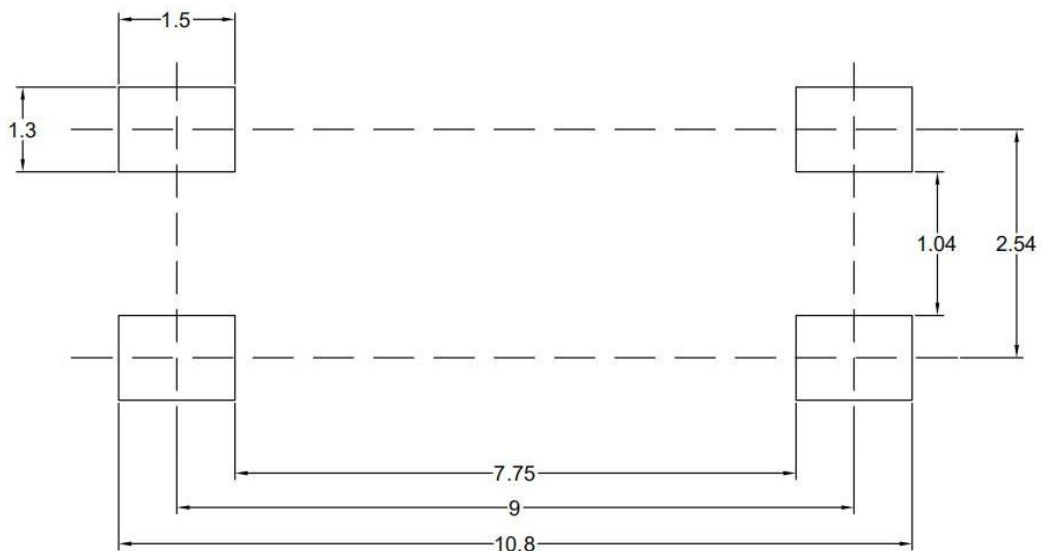
2. ORPC-852M



3. ORPC-852S

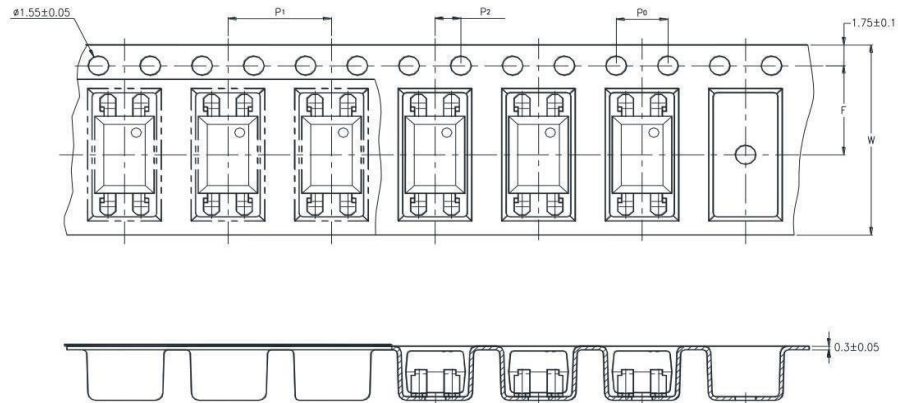


9. Recommended Foot Print Patterns (Mount Pad) (Unit: mm)

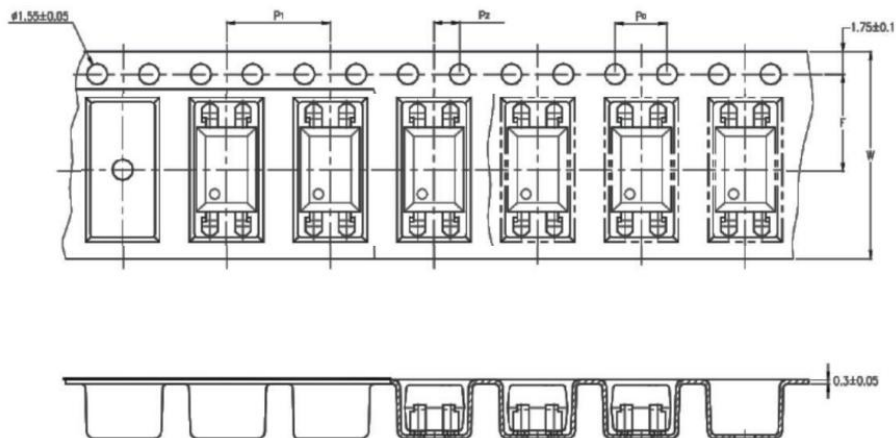


10. Taping Dimensions

(1)ORPC-852S-TP



(2)ORPC-852S-TP1



Description	Symbol	Dimension in mm (inch)
Tape wide	W	16±0.3 (.63)
Pitch of sprocket holes	P ₀	4±0.1 (.15)
Distance of compartment	F	7.5±0.1 (.295)
	P ₂	2±0.1 (.0079)
Distance of compartment to compartment	P ₁	8±0.1 (.472)

Package Type	TP/TP1
Quantities(pcs)	2000

11. Package Dimension

DIP Type

Packing Information	
Packing type	Tube
Qty per Tube	100pcs
Small box (Inner) Dimension	525*128*60mm
Large box (Outer) Dimension	545*290*335mm
The Amount per Inner Box	5,000pcs
The Amount per Outer Box	50,000pcs

SOP Type

Packing Information	
Packing type	Reel type
Tape Width	16mm
Qty per Reel	2,000pcs
Small box (inner) Dimension	345*345*58.5mm
Large box (Outer) Dimension	620x360x360mm
Max qty per small box	4,000pcs
Max qty per large box	40,000pcs

(2)Packing Label Sample



Note:

1. P/N :Contents with "Order Information" in the specification.
2. LOT NO : The production lot.
3. BATCH : The Electrical rank.
4. Quantity :Packaging quantity.
5. Product Data :Date of manufacture.

12. Reliability Test

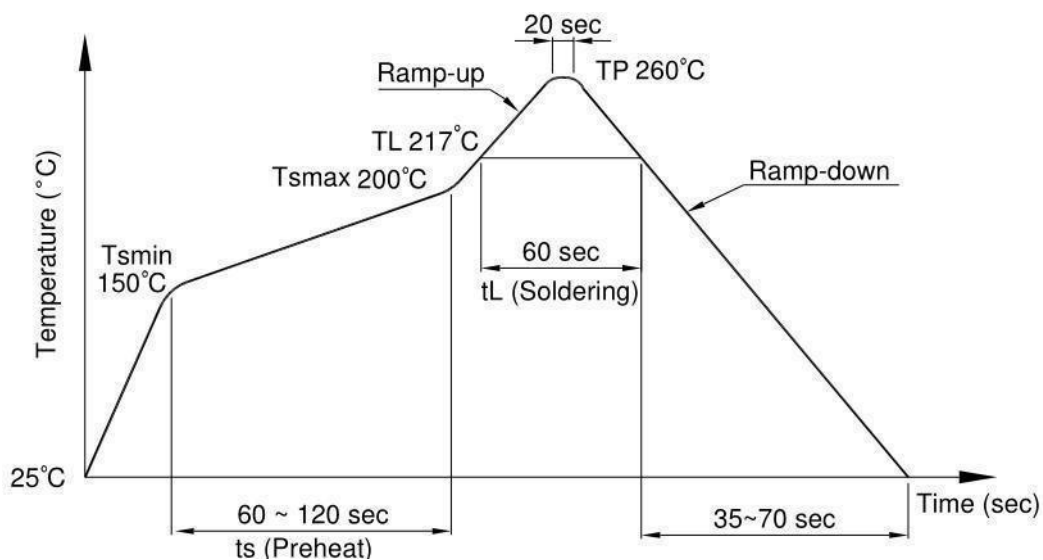
NO.	Reliability Testing					
	ITEMS	QTY (Pcs)	Condition	Process	Device	Standard
1	RSH 耐焊接热	22	260±5℃	5s/3 次	锡炉	JESD22-A106
2	HTSL 高温存储	77	125℃	168 hrs	高温烤箱 测试仪	JESD22-A103
				500 hrs		
				1000 hrs		
3	LTSL 低温存储	77	-55℃	168 hrs	低温箱 测试仪	JESD22-A119
				500 hrs		
				1000 hrs		
4	TC 温度循环	77	H:125℃ 15min ∫ 5min L:-55℃ 15min	300 cycle	冷热冲 击机	JESD22-A104
5	TS 温度冲击	77	H:100℃ 5min ∫ 15s L:-40℃ 5min	300 cycle	冷热冲 击机	JESD22-A106
6	HTOL 高温操作	77	110℃ IF=10mA Vce=5V	168 hrs	高温烤 箱 测试 仪、老 化电路 板	JESD22-A108
				500 hrs		
				1000 hrs		
7	ESD-HBM 人体模式	22	≥8KV 1Cycle	1次	ESD静电 测试仪	JESD22-A114
8	SD 可焊性	22	Pb-free 245±5℃	5S/1次	锡炉	JESD22-B102
9	HTRB 高温反向偏压	77	@100℃ Vce=280v	168 hrs	高温烤 箱 ， 测试 仪	JESD22-A103
				500 hrs		
				1000 hrs		
10	H3TRB 温湿度反向偏压，寿命试验	77	85℃,85%RH Vce=80v	168 hrs	恒温恒湿 机，测试 仪	JESD22-A101
				500 hrs		
				1000 hrs		
11	Autoclave 压力锅	77	Ta=121 ℃,100%RH,2atm	96hrs	压力锅	JESD22-A102

13. Temperature Profile Of Soldering

(1).IR Reflow soldering (JEDEC-STD-020C compliant)

One time soldering reflow is recommended within the condition of temperature and time profile shown below. Do not solder more than three times.

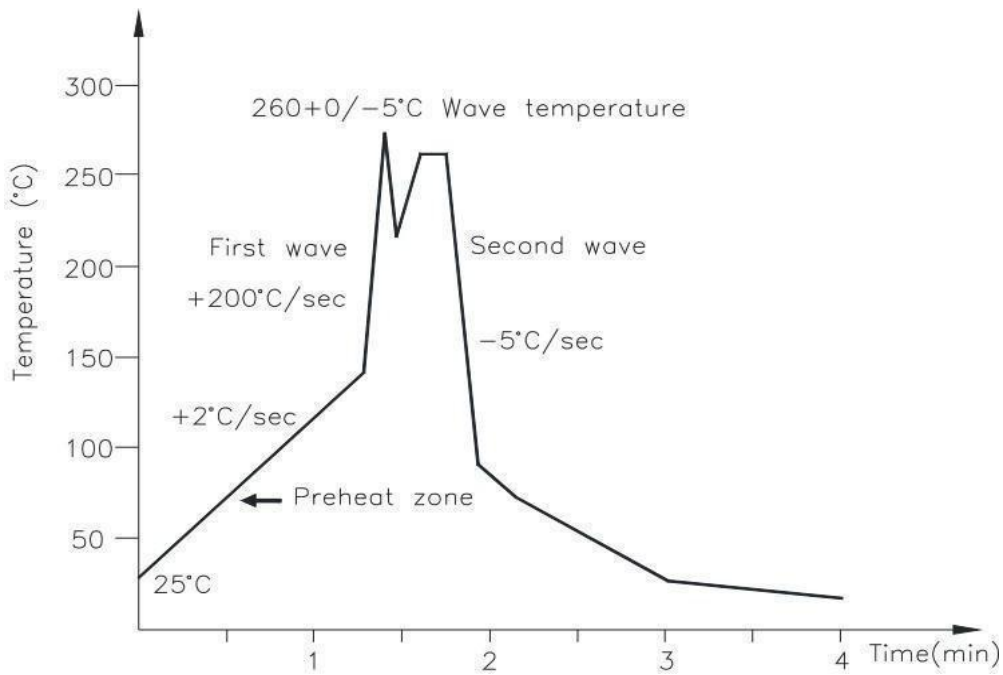
Profile item	Conditions
Preheat	150°C
- Temperature Min (T Smin)	200°C
- Temperature Max (T Smax)	90±30 sec
- Time (min to max) (ts)	
Soldering zone	
- Temperature (TL)	217°C
- Time (t L)	60 sec
Peak Temperature	260°C
Peak Temperature time	20 sec
Ramp-up rate	3°C / sec max.
Ramp-down rate from peak temperature	3~6°C / sec
Reflow times	≤3



(2).Wave soldering (JEDEC22A111 compliant)

One time soldering is recommended within the condition of temperature.

Temperature	260+0/-5°C
Time	10 sec
Preheat temperature	25 to 140°C
Preheat time	30 to 80 sec



(3).Hand soldering by soldering iron

Allow single lead soldering in every single process. One time soldering is recommended.

Temperature	380+0/-5°C
Time	3 sec max

14. Characteristics Curves

Figure 1. Forward Current vs. Forward Voltage

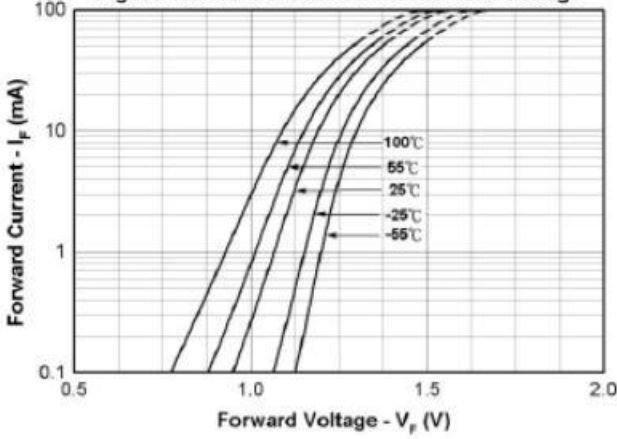


Figure 2. Collector Current vs. Collector Emitter Voltage

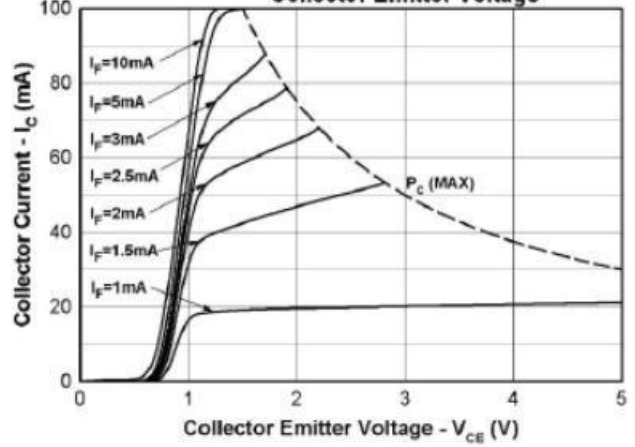


Figure 3. Collector Emitter Saturation Voltage vs. Ambient Temperature

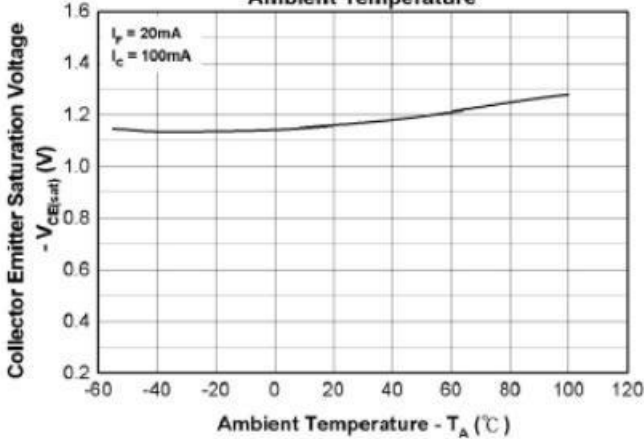


Figure 4. Collector-Emitted Saturation Voltage vs. Forward Current

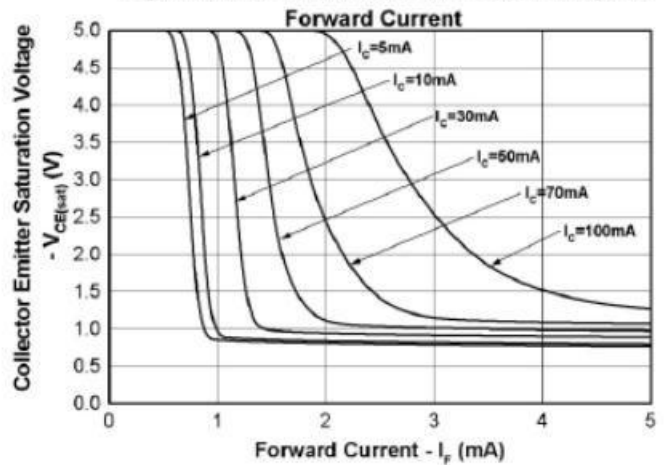


Figure 5. Current Transfer Ratio vs. Forward Current

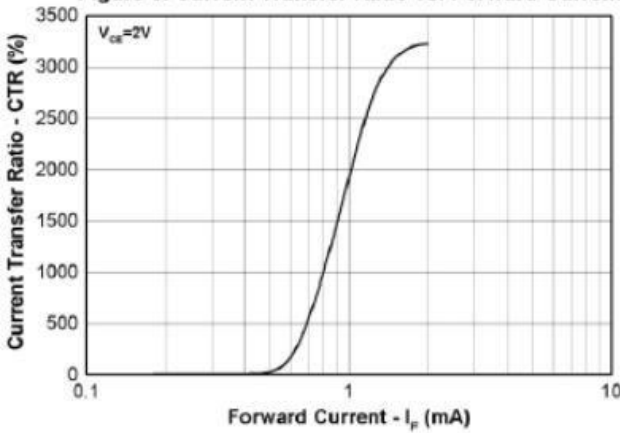


Figure 6. Normalized Current Transfer Ratio vs. Ambient Temperature

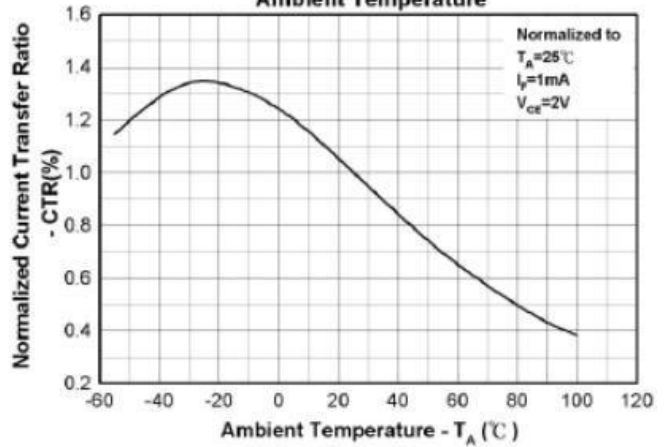


Figure 7. Collector Dark Current vs. Ambient Temperature

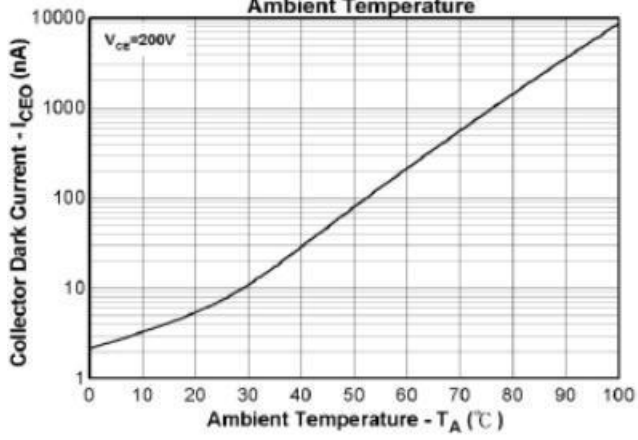


Figure 8. Response Time vs. Load Resistance

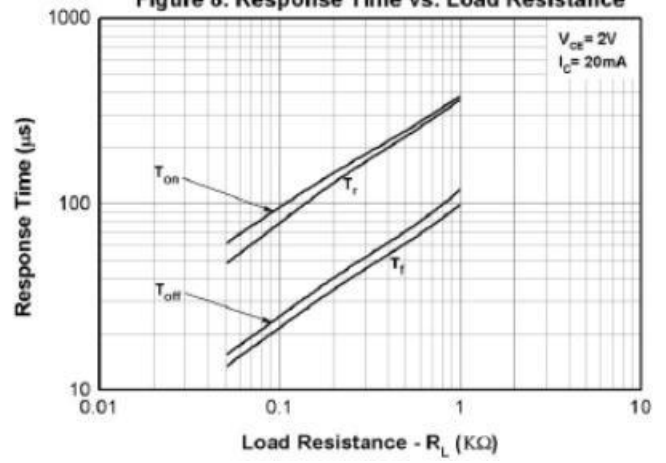
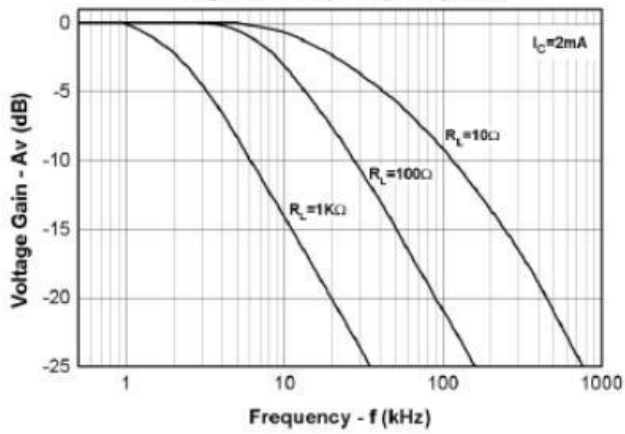


Figure 9. Frequency Response



单击下面可查看定价，库存，交付和生命周期等信息

[>>ORIENT\(奥伦德\)](#)