

Gyro Sensor

XV7011BB

Product name XV7011BB 51.000kHz B
 Product Number / Ordering code X2A0002710002xx

Please refer to the 8.Packing information about xx (last 2 digits)

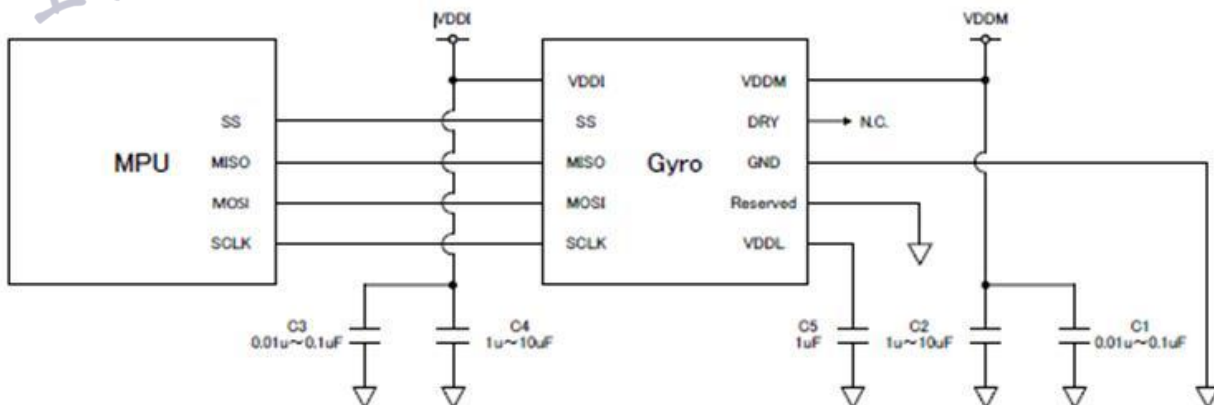
Interface I2C or SPI
 Pb free / Complies with EU RoHS directive
 Reference weight Typ. 65 mg

1.Specifications(characteristics)

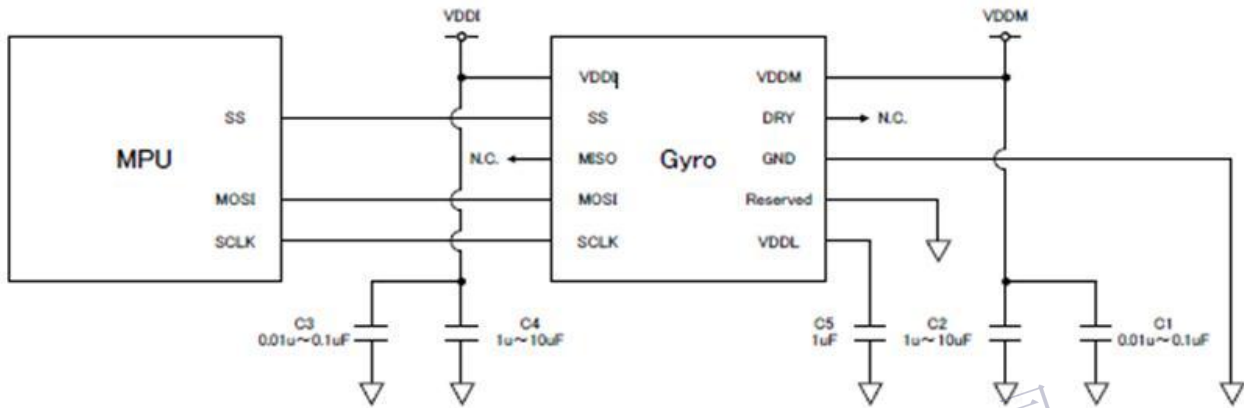
Parameter	Symbol	Min.	Typ.	Max.	Unit	Conditions / Remarks
Supply voltage	VDDM	2.7	-	3.6	V	-
Interface power supply voltage	VDDI	1.65	-	3.6	V	-
Storage temperature	T_stg	-40	-	85	°C	Storage as single product
Operating temperature	T_OPR	-40	-	85	°C	-
Scale factor	So	-	280LSB	-	°/s	16bit
Initial Scale Factor accuracy	Sp	-5	-	5	%	-
Scale Factor temperature sencitivity	Spt	-3	-	3	%	-
Bias	ZRL	-1 dps	-	+1dps	°/s	@+25°C
Bias over temperature	ZRTt	-1dps	-	1dps	°/s	-
Reference voltage	Vr	-	-	-	mV	-
Temperature coeggicient of reference voltage	Vrt	-	-	-	mV	-
Detection range	I	-100	-	100	°/s	-
Nonlinearity	NI	-0.5	-	0.5	%FS	-
Frequency characteristic	BW	-	-	-	Hz	-
Cross axis	CS	-5	-	5	%	-
Current consumption	Iop	-	0.9	-	mA	Output No load condition
Noise	rN	-	-	-	-	-

2.Circuit example

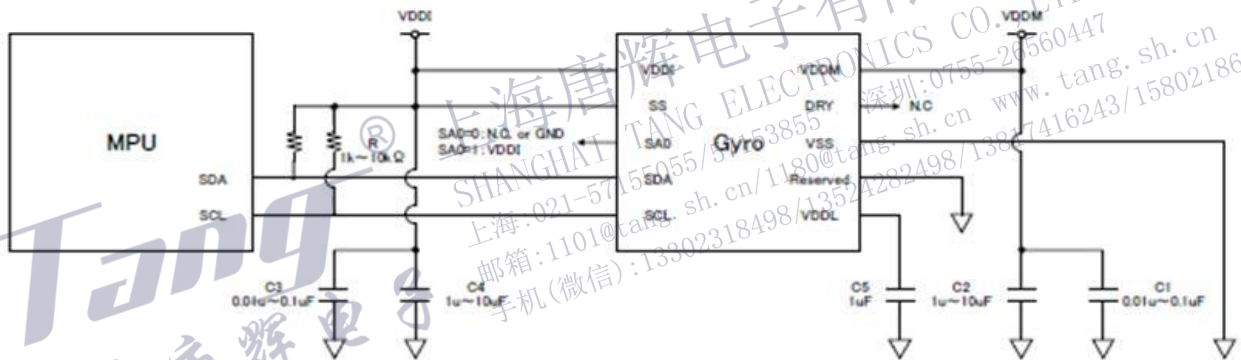
1) SPI 4 wire



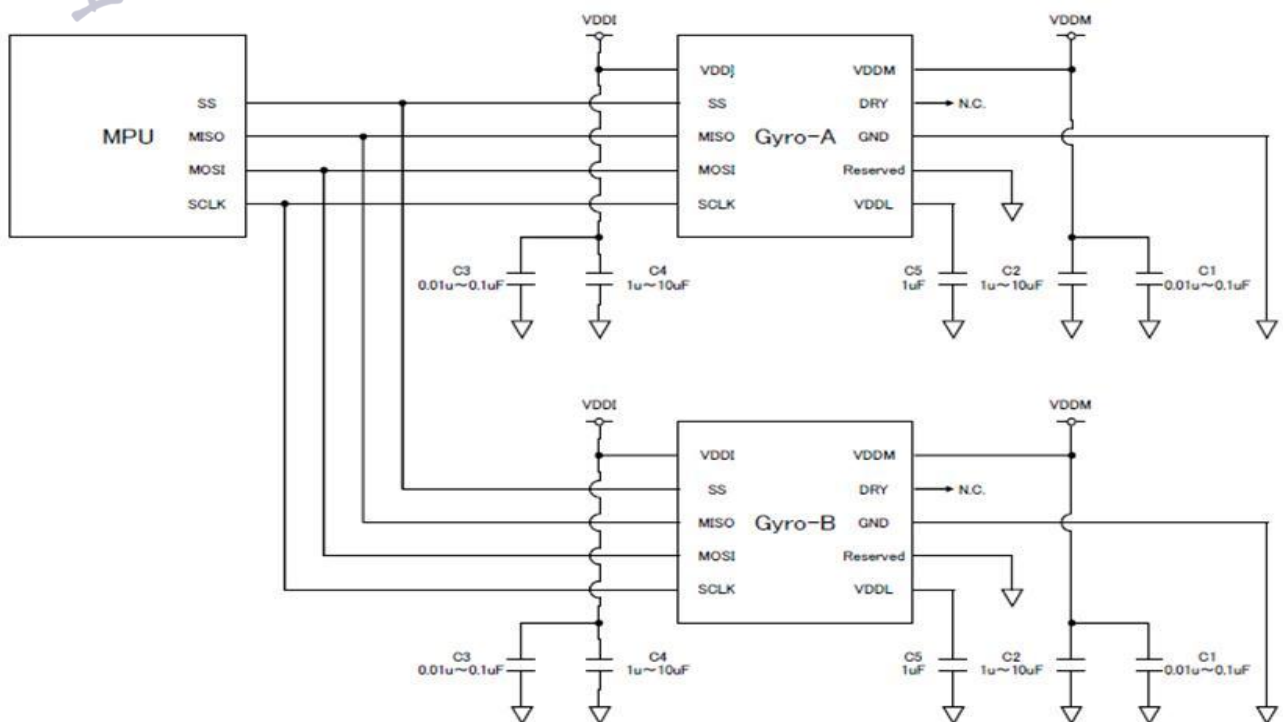
2) SPI 3 wire



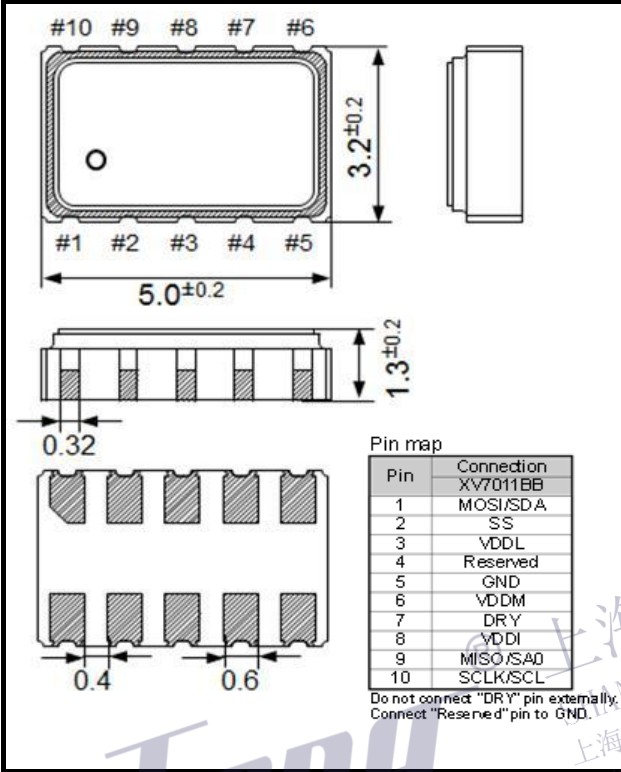
3) I2C



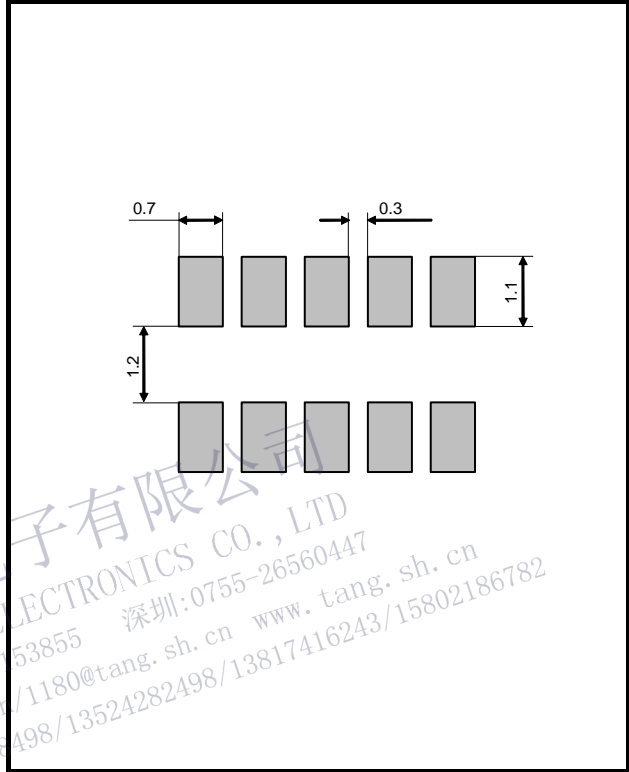
4) SPI 4 wire Multi-slave



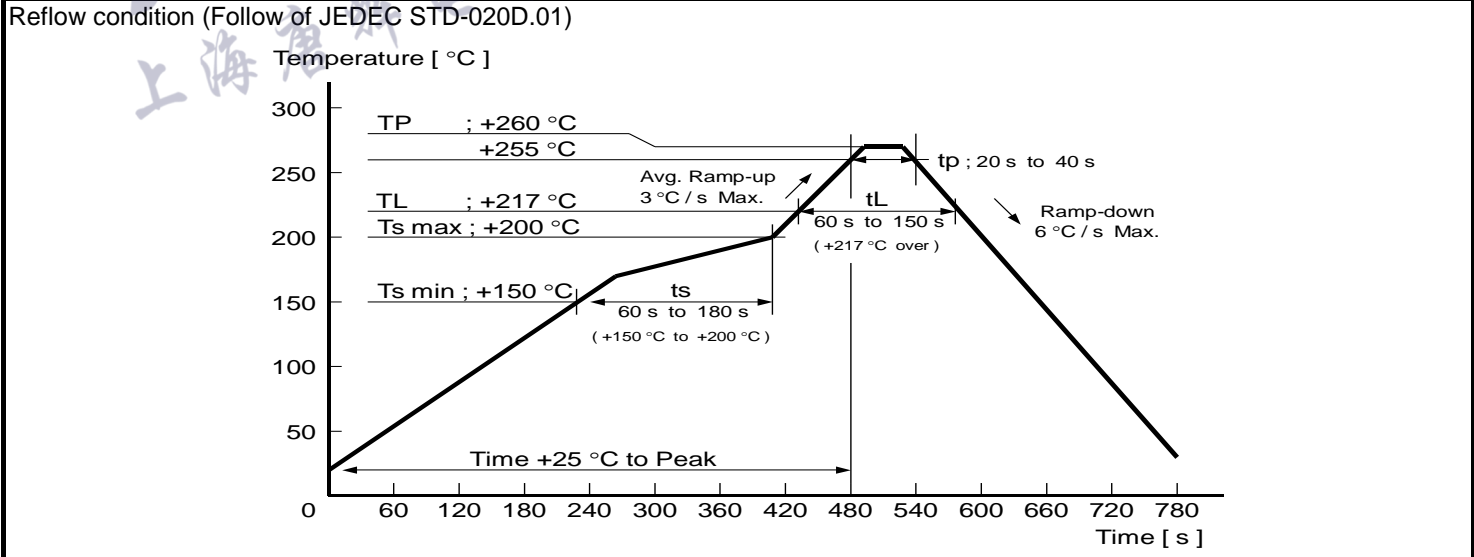
5.External dimensions (Unit: mm)



6.Footprint(Recommended) (Unit: mm)



7.Reflow profile



8.Packing information

[1] Product number last 2 digits code(xx) description The recommended code is "00"

X2A0002710002xx

Code	Condition	Code	Condition
00	2000pcs / Reel		

[2] Taping specification

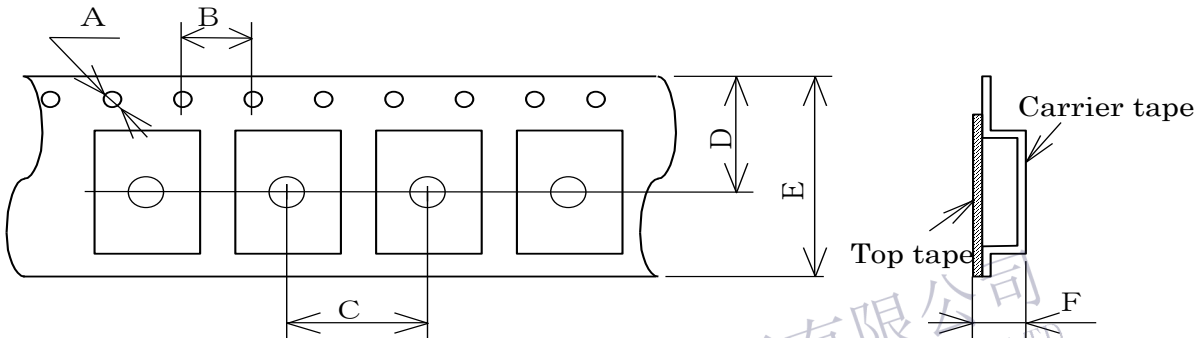
Subject to EIA-481 & IEC-60286

(1) Tape dimensions

Material of the Carrier Tape : PS

Material of the Top Tape : PET+PE

Unit: mm

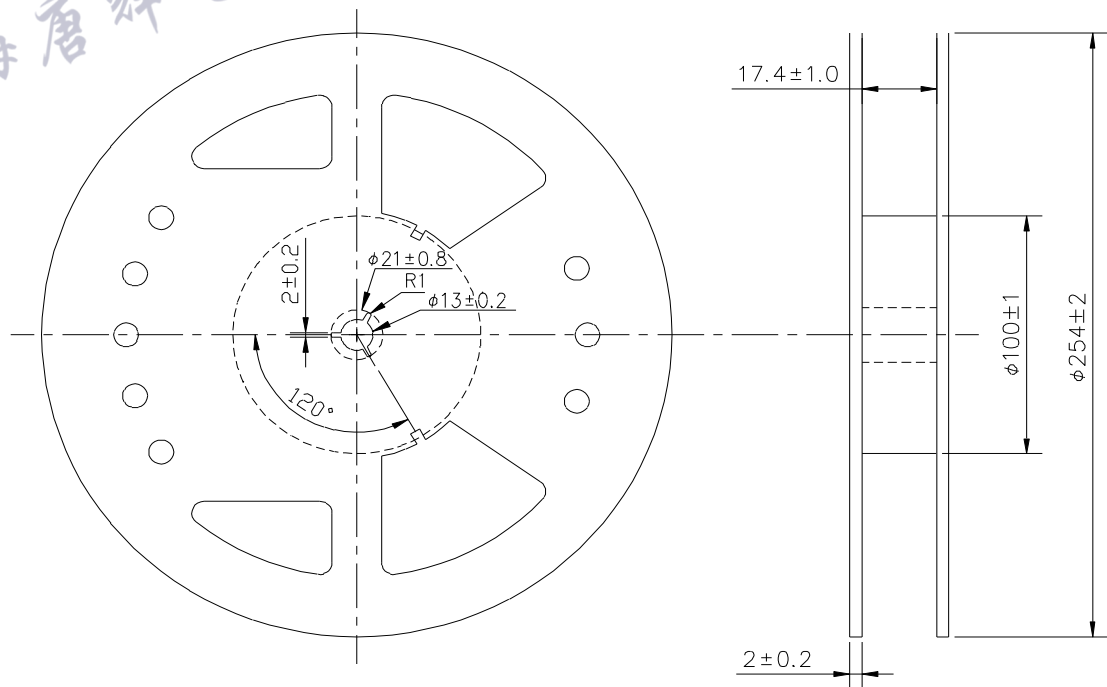


Symbol	A	B	C	D	E	F
Value	Φ1.5	4	8	9.25	16	2.3

(2) Reel dimensions

Center material : PS

Material of the Reel : PS



9. Notice

- This material is subject to change without notice.
- Any part of this material may not be reproduced or duplicated in any form or any means without the written permission of Seiko Epson.
- The information about applied data, circuitry, software, usage, etc. written in this material is intended for reference only.
Seiko Epson does not assume any liability for the occurrence of customer damage or infringing on any patent or copyright of a third party.
This material does not authorize the licensing for any patent or intellectual copyrights.
- When exporting the products or technology described in this material, you should comply with the applicable export control laws and regulations and follow the procedures required by such laws and regulations.
- You are requested not to use the products (and any technical information furnished, if any) for the development and/or manufacture of weapon of mass destruction or for other military purposes. You are also requested that you would not make the products available to any third party who may use the products for such prohibited purposes.
- These products are intended for general use in electronic equipment. When using them in specific applications that require extremely high reliability, such as the applications stated below, you must obtain permission from Seiko Epson in advance.
 - / Space equipment (artificial satellites, rockets, etc.)
 - / Transportation vehicles and related (automobiles, aircraft, trains, vessels, etc.)
 - / Medical instruments to sustain life
 - / Submarine transmitters
 - / Power stations and related
 - / Fire work equipment and security equipment
 - / Traffic control equipment
 - / And others requiring equivalent reliability.

10. Contact us

<http://www5.epsondevice.com/en/contact/>

单击下面可查看定价，库存，交付和生命周期等信息

[>>Epson\(爱普生\)](#)