



# SGM895/SGM896/SGM897/SGM898/SGM899 Ultra-Small, Supervisory Circuits with Adjustable Sequencing

## GENERAL DESCRIPTION

The SGM895/SGM896/SGM897/SGM898/SGM899 are ultra-small, low-power and high-accuracy micro-processor supervisory circuits with adjustable sequencing capability. Since the high-impedance detection input pin (IN) with a 0.5V threshold voltage is separated from the power supply, these devices offer tremendous flexibility with an adjustable threshold using an external resistive divider. Moreover, the delay time can be adjusted by an external capacitor connected to the CDELAY pin. These devices are ideal for power-supply sequencing, reset sequencing and power-switching applications.

When the input voltage at IN ( $V_{IN}$ ) exceeds the  $V_{TH}$  threshold voltage (0.5V, TYP) and the enable input is asserted (ENABLE = high or nENABLE = low), the output asserts (OUT = high or nOUT = low). When  $V_{IN}$  falls below  $V_{TH} - V_{HYST}$  (0.495V, TYP) or when the enable input is deasserted (ENABLE = low or nENABLE = high), the output deasserts (OUT = low or nOUT = high). All devices provide a capacitor-adjustable input delay time ( $t_{DELAY}$ ) from when  $V_{IN}$  exceeds  $V_{TH}$  to when the output asserts. The SGM89\_A provide the same capacitor-adjustable delay time from when the enable is asserted to when the output asserts, whereas the SGM89\_P provide a 350ns (TYP) propagation delay time from when the enable is asserted to when the output asserts.

The SGM895 provides an active-high enable input and an active-high push-pull output. The SGM896 provides an active-low enable input and an active-low push-pull output. The SGM897 provides an active-high enable input and an active-high open-drain output. The SGM898 provides an active-low enable input and an active-low open-drain output. Finally, the SGM899 provides an active-low enable with an active-high push-pull output.

All devices are available in ultra-small Green UTDFN-1.45×1-6AL and TSOT-23-6 packages.

## FEATURES

- High Voltage Threshold Accuracy:
  - ♦ +25°C: ±1%
  - ♦ -40°C to +125°C: ±1.6%
- Low Power Consumption: 2.1µA (TYP)
- Operating Supply Voltage Range: 1.6V to 5.5V
- Capacitor-Adjustable Delay
- Active-High/Active-Low Enable Input Options
- Active-High/Active-Low Output Options
- Open-Drain (28V Tolerant)/Push-Pull Output Options
- Available in Ultra-Small Green UTDFN-1.45×1-6AL and TSOT-23-6 Packages

## APPLICATIONS

Portable Equipment  
Computers/Servers  
Critical µP Monitoring  
Automotive  
Medical Equipment  
Intelligent Instruments

## TYPICAL APPLICATION

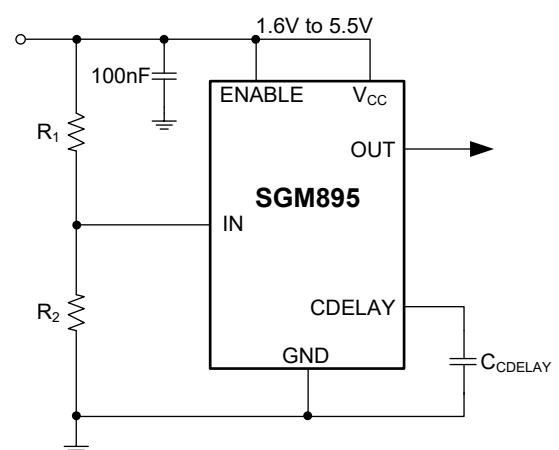


Figure 1. Typical Application Circuit

**PACKAGE/ORDERING INFORMATION**

| MODEL   | PACKAGE DESCRIPTION | SPECIFIED TEMPERATURE RANGE | ORDERING NUMBER  | PACKAGE MARKING | PACKING OPTION      |
|---------|---------------------|-----------------------------|------------------|-----------------|---------------------|
| SGM895A | UTDFN-1.45×1-6AL    | -40°C to +125°C             | SGM895AXUDL6G/TR | J9X             | Tape and Reel, 5000 |
|         | TSOT-23-6           | -40°C to +125°C             | SGM895AXTN6G/TR  | CICXX           | Tape and Reel, 3000 |
| SGM895P | UTDFN-1.45×1-6AL    | -40°C to +125°C             | SGM895PXUDL6G/TR | IAX             | Tape and Reel, 5000 |
|         | TSOT-23-6           | -40°C to +125°C             | SGM895PXTN6G/TR  | CKFXX           | Tape and Reel, 3000 |
| SGM896A | UTDFN-1.45×1-6AL    | -40°C to +125°C             | SGM896AXUDL6G/TR | L6X             | Tape and Reel, 5000 |
|         | TSOT-23-6           | -40°C to +125°C             | SGM896AXTN6G/TR  | CL0XX           | Tape and Reel, 3000 |
| SGM896P | UTDFN-1.45×1-6AL    | -40°C to +125°C             | SGM896PXUDL6G/TR | L7X             | Tape and Reel, 5000 |
|         | TSOT-23-6           | -40°C to +125°C             | SGM896PXTN6G/TR  | CL1XX           | Tape and Reel, 3000 |
| SGM897A | UTDFN-1.45×1-6AL    | -40°C to +125°C             | SGM897AXUDL6G/TR | I8X             | Tape and Reel, 5000 |
|         | TSOT-23-6           | -40°C to +125°C             | SGM897AXTN6G/TR  | CIDXX           | Tape and Reel, 3000 |
| SGM897P | UTDFN-1.45×1-6AL    | -40°C to +125°C             | SGM897PXUDL6G/TR | IBX             | Tape and Reel, 5000 |
|         | TSOT-23-6           | -40°C to +125°C             | SGM897PXTN6G/TR  | CL2XX           | Tape and Reel, 3000 |
| SGM898A | UTDFN-1.45×1-6AL    | -40°C to +125°C             | SGM898AXUDL6G/TR | L9X             | Tape and Reel, 5000 |
|         | TSOT-23-6           | -40°C to +125°C             | SGM898AXTN6G/TR  | CL3XX           | Tape and Reel, 3000 |
| SGM898P | UTDFN-1.45×1-6AL    | -40°C to +125°C             | SGM898PXUDL6G/TR | LAX             | Tape and Reel, 5000 |
|         | TSOT-23-6           | -40°C to +125°C             | SGM898PXTN6G/TR  | CL4XX           | Tape and Reel, 3000 |
| SGM899A | UTDFN-1.45×1-6AL    | -40°C to +125°C             | SGM899AXUDL6G/TR | I9X             | Tape and Reel, 5000 |
|         | TSOT-23-6           | -40°C to +125°C             | SGM899AXTN6G/TR  | CIEXX           | Tape and Reel, 3000 |
| SGM899P | UTDFN-1.45×1-6AL    | -40°C to +125°C             | SGM899PXUDL6G/TR | ICX             | Tape and Reel, 5000 |
|         | TSOT-23-6           | -40°C to +125°C             | SGM899PXTN6G/TR  | CL5XX           | Tape and Reel, 3000 |

**MARKING INFORMATION**

NOTE: X = Date Code. XX = Date Code

**UTDFN-1.45×1-6AL**

**YY X**

— Date Code - Quarter  
 — Serial Number

**TSOT-23-6**

**YYY X X**

— Date Code - Week  
 — Date Code - Year  
 — Serial Number

Green (RoHS & HSF): SG Micro Corp defines "Green" to mean Pb-Free (RoHS compatible) and free of halogen substances. If you have additional comments or questions, please contact your SGMICRO representative directly.

**ABSOLUTE MAXIMUM RATINGS**

|   |                                 |
|---|---------------------------------|
| V <sub>CC</sub> , ENABLE, nENABLE, IN ..... | -0.3V to 6V                     |
| OUT, nOUT (Push-Pull) .....                 | -0.3V to V <sub>CC</sub> + 0.3V |
| OUT, nOUT (Open-Drain) .....                | -0.3V to 30V                    |
| CDELAY.....                                 | -0.3V to V <sub>CC</sub> + 0.3V |
| Output Current (All Pins).....              | ±20mA                           |
| Package Thermal Resistance                  |                                 |
| UTDFN-1.45×1-6AL, θ <sub>JA</sub> .....     | 294°C/W                         |
| TSOT-23-6, θ <sub>JA</sub> .....            | 230°C/W                         |
| Junction Temperature.....                   | +150°C                          |
| Storage Temperature Range .....             | -65°C to +150°C                 |
| Lead Temperature (Soldering, 10s).....      | +260°C                          |
| ESD Susceptibility                          |                                 |
| HBM.....                                    | 4000V                           |
| CDM .....                                   | 1000V                           |

**RECOMMENDED OPERATING CONDITIONS**

|  |                 |
|--|-----------------|
| Operating Junction Temperature Range ..... | -40°C to +125°C |
| Operating Ambient Temperature Range.....   | -40°C to +125°C |

**OVERSTRESS CAUTION**

Stresses beyond those listed in Absolute Maximum Ratings may cause permanent damage to the device. Exposure to absolute maximum rating conditions for extended periods may affect reliability. Functional operation of the device at any conditions beyond those indicated in the Recommended Operating Conditions section is not implied.

**ESD SENSITIVITY CAUTION**

This integrated circuit can be damaged if ESD protections are not considered carefully. SGMICRO recommends that all integrated circuits be handled with appropriate precautions. Failure to observe proper handling and installation procedures can cause damage. ESD damage can range from subtle performance degradation to complete device failure. Precision integrated circuits may be more susceptible to damage because even small parametric changes could cause the device not to meet the published specifications.

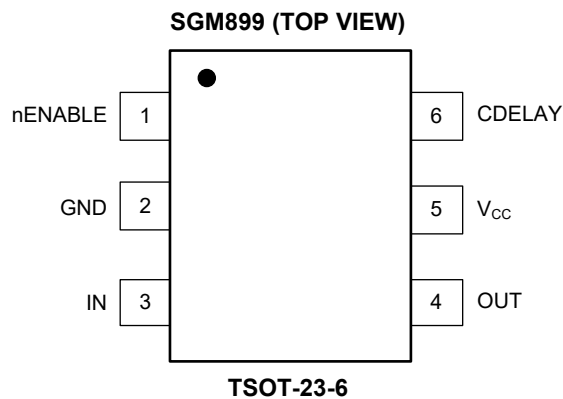
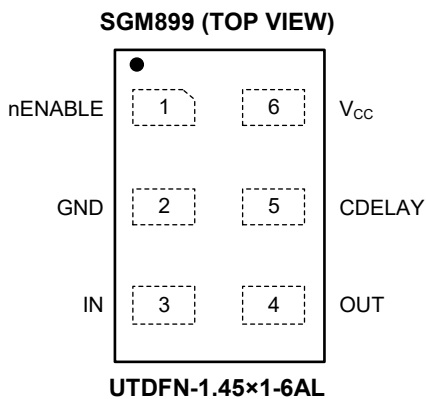
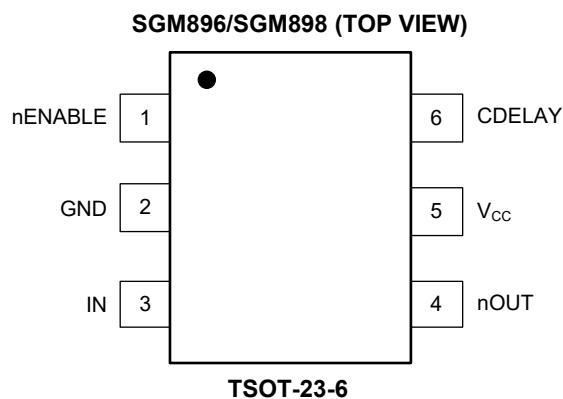
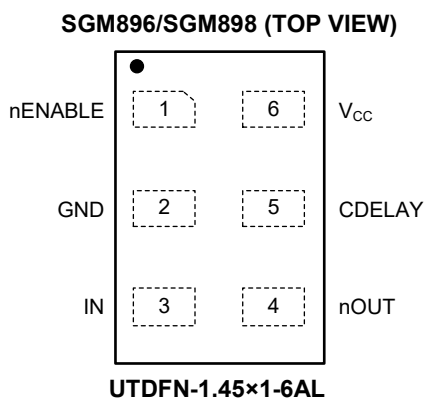
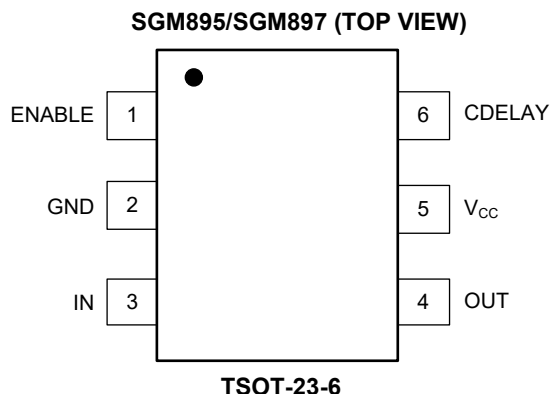
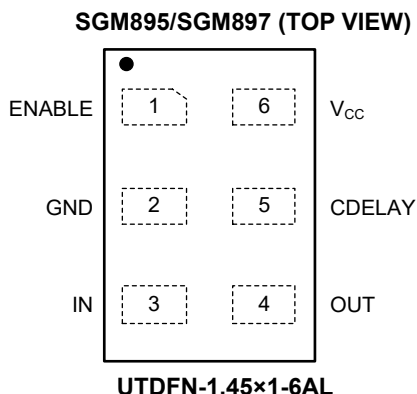
**DISCLAIMER**

SG Micro Corp reserves the right to make any change in circuit design, or specifications without prior notice.

**SELECTOR GUIDE**

| DEVICE  | ENABLE INPUT | OUTPUT                  | INPUT DELAY TIME     | ENABLE DELAY TIME    |
|---------|--------------|-------------------------|----------------------|----------------------|
| SGM895A | Active-High  | Active-High, Push-Pull  | Capacitor-Adjustable | Capacitor-Adjustable |
| SGM895P | Active-High  | Active-High, Push-Pull  | Capacitor-Adjustable | 350ns Delay          |
| SGM896A | Active-Low   | Active-Low, Push-Pull   | Capacitor-Adjustable | Capacitor-Adjustable |
| SGM896P | Active-Low   | Active-Low, Push-Pull   | Capacitor-Adjustable | 350ns Delay          |
| SGM897A | Active-High  | Active-High, Open-Drain | Capacitor-Adjustable | Capacitor-Adjustable |
| SGM897P | Active-High  | Active-High, Open-Drain | Capacitor-Adjustable | 350ns Delay          |
| SGM898A | Active-Low   | Active-Low, Open-Drain  | Capacitor-Adjustable | Capacitor-Adjustable |
| SGM898P | Active-Low   | Active-Low, Open-Drain  | Capacitor-Adjustable | 350ns Delay          |
| SGM899A | Active-Low   | Active-High, Push-Pull  | Capacitor-Adjustable | Capacitor-Adjustable |
| SGM899P | Active-Low   | Active-High, Push-Pull  | Capacitor-Adjustable | 350ns Delay          |

**PIN CONFIGURATIONS**



**PIN DESCRIPTION**

| PIN                  |               |                      |               |                      |               | NAME            | FUNCTION   |
|----------------------|---------------|----------------------|---------------|----------------------|---------------|-----------------|--|
| SGM895/SGM897        |               | SGM896/SGM898        |               | SGM899               |               |                 |  |
| UTDFN-<br>1.45×1-6AL | TSOT-<br>23-6 | UTDFN-<br>1.45×1-6AL | TSOT-<br>23-6 | UTDFN-<br>1.45×1-6AL | TSOT-<br>23-6 |                 |  |
| 1                    | 1             | —                    | —             | —                    | —             | ENABLE          | Active-High Enable Input. Set ENABLE low immediately to deassert the output to its false state (OUT = low) independent of $V_{IN}$ . With $V_{IN}$ above $V_{TH}$ , set ENABLE high to assert the output to its true state (OUT = high) after the CDELAY adjustable delay period (SGM89_A) or a 350ns propagation delay (SGM89_P).   |
| —                    | —             | 1                    | 1             | 1                    | 1             | nENABLE         | Active-Low Enable Input. Set nENABLE high immediately to deassert the output to its false state (OUT = low or nOUT = high) independent of $V_{IN}$ . With $V_{IN}$ above $V_{TH}$ , set nENABLE low to assert the output to its true state (OUT = high or nOUT = low) after the CDELAY adjustable delay period (SGM89_A) or a 350ns propagation delay (SGM89_P).   |
| 2                    | 2             | 2                    | 2             | 2                    | 2             | GND             | Ground.  |
| 3                    | 3             | 3                    | 3             | 3                    | 3             | IN              | High-Impedance Detection Input. Connect the IN pin to an external resistive divider to set the desired detection threshold. The output state changes when $V_{IN}$ exceeds $V_{TH}$ (0.5V, TYP) or when $V_{IN}$ drops below $V_{TH} - V_{HYST}$ (0.495V, TYP).  |
| 4                    | 4             | —                    | —             | 4                    | 4             | OUT             | Active-High Output, Push-Pull (SGM895/SGM899) or Open-Drain (SGM897). When $V_{IN}$ exceeds $V_{TH}$ and the enable input is asserted (ENABLE = high or nENABLE = low), the output asserts (OUT = high) after the CDELAY adjustable delay period. The output deasserts (OUT = low) immediately after $V_{IN}$ drops below $V_{TH} - V_{HYST}$ or the enable input is deasserted (ENABLE = low or nENABLE = high).<br>The open-drain version requires an external pull-up resistor. |
| —                    | —             | 4                    | 4             | —                    | —             | nOUT            | Active-Low Output, Push-Pull (SGM896) or Open-Drain (SGM898). When $V_{IN}$ exceeds $V_{TH}$ and the enable input is asserted (nENABLE = low), the output asserts (nOUT = low) after the CDELAY adjustable delay period. The output deasserts (nOUT = high) immediately after $V_{IN}$ drops below $V_{TH} - V_{HYST}$ or the enable input is deasserted (nENABLE = high).<br>The open-drain version requires an external pull-up resistor.  |
| 5                    | 6             | 5                    | 6             | 5                    | 6             | CDELAY          | Capacitor-Adjustable Delay. Connect an external capacitor ( $C_{CDELAY}$ ) between CDELAY and GND to set the delay period.<br>$t_{DELAY} (ms) = 3.95 \times C_{CDELAY} (nF) + 0.048ms$<br>There is a 50 $\mu s$ (TYP) fixed delay for the output deasserting when $V_{IN}$ falls below $V_{TH} - V_{HYST}$ .   |
| 6                    | 5             | 6                    | 5             | 6                    | 5             | V <sub>CC</sub> | Supply Voltage.  |

## ELECTRICAL CHARACTERISTICS

( $V_{CC} = 1.6V$  to  $5.5V$ , Full =  $-40^{\circ}C$  to  $+125^{\circ}C$ , typical values are at  $V_{CC} = 3.3V$  and  $T_J = +25^{\circ}C$ , unless otherwise noted.)

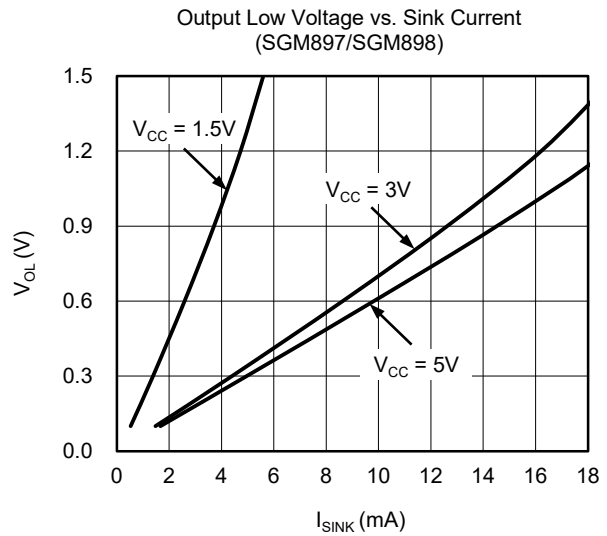
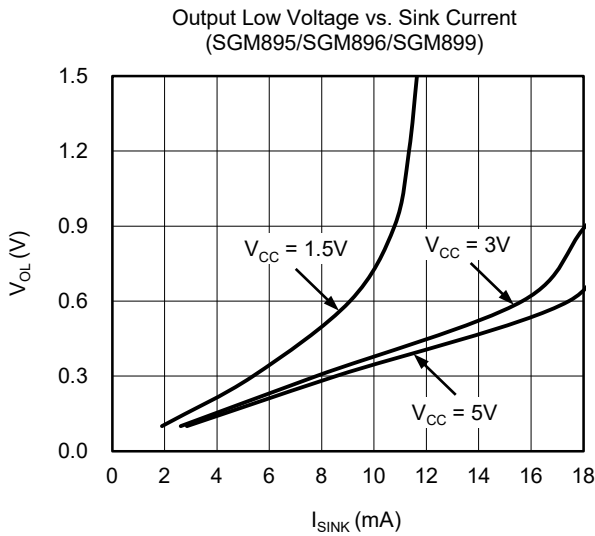
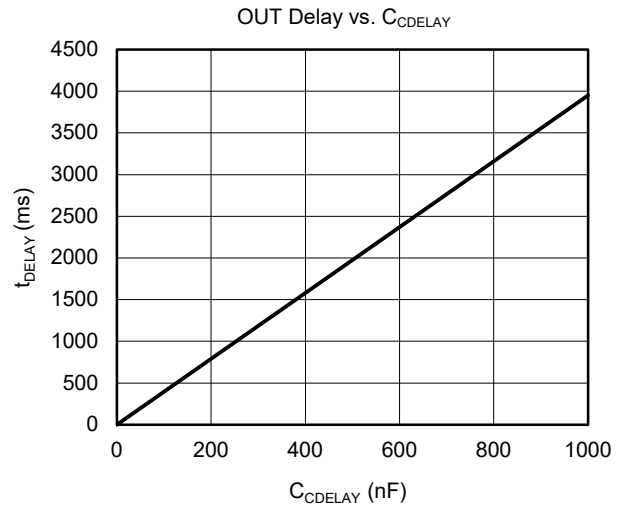
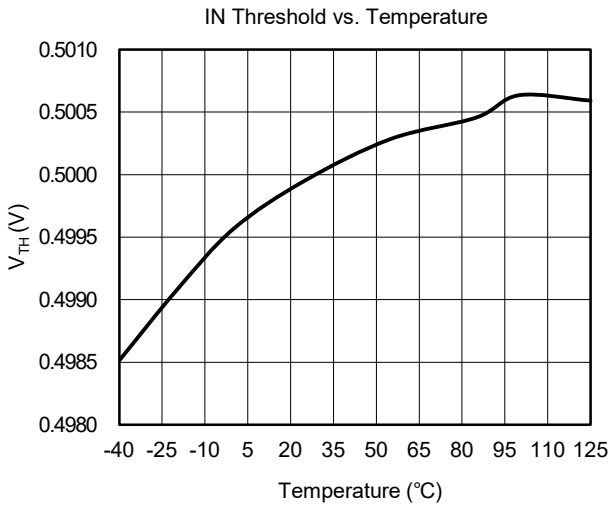
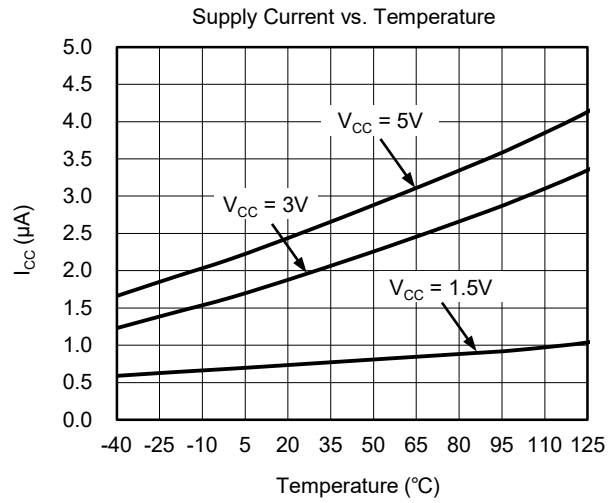
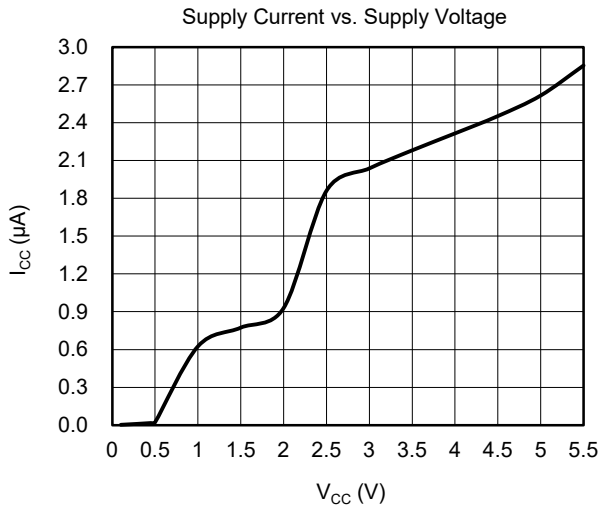
| PARAMETER                                       | SYMBOL       | CONDITIONS   | TEMP                | MIN                 | TYP   | MAX   | UNITS    |
|---|--------------|--|---------------------|---------------------|-------|-------|----------|
| <b>Supply</b>                                   |              |  |                     |                     |       |       |          |
| Operating Voltage Range                         | $V_{CC}$     |  | Full                | 1.6                 |       | 5.5   | V        |
| Under-Voltage Lockout <sup>(1)</sup>            | $V_{UVLO}$   | $V_{CC}$ falling   | Full                | 1.31                |       | 1.49  | V        |
| $V_{CC}$ Supply Current                         | $I_{CC}$     |  | Full                |                     | 2.1   | 7.8   | $\mu A$  |
| <b>IN</b>                                       |              |  |                     |                     |       |       |          |
| Threshold Voltage                               | $V_{TH}$     | $V_{IN}$ rising, $1.6V < V_{CC} < 5.5V$                                  | +25 $^{\circ}C$     | 0.495               | 0.500 | 0.505 | V        |
|   |              |  | Full                | 0.492               | 0.500 | 0.508 |          |
| Hysteresis                                      | $V_{HYST}$   | $V_{IN}$ falling   | Full                |                     | 5     |       | mV       |
| Input Current                                   | $I_{IN}$     | $V_{IN} = 0V$ or $V_{CC}$  | Full                | -20                 |       | 20    | nA       |
| <b>CDELAY</b>                                   |              |  |                     |                     |       |       |          |
| Delay Charge Current                            | $I_{CD}$     |  | Full                | 210                 | 253   | 290   | nA       |
| Delay Threshold                                 | $V_{TCD}$    | CDELAY rising  | Full                | 0.96                | 1.00  | 1.04  | V        |
| CDELAY Pull-Down Resistance                     | $R_{CDELAY}$ |  | Full                |                     | 120   | 350   | $\Omega$ |
| <b>ENABLE/nENABLE</b>                           |              |  |                     |                     |       |       |          |
| Input Low Voltage                               | $V_{IL}$     |  | Full                |                     |       | 0.4   | V        |
| Input High Voltage                              | $V_{IH}$     |  | Full                | 1.4                 |       |       | V        |
| Input Leakage Current                           | $I_{LEAK}$   | ENABLE, nENABLE = $V_{CC}$ or GND  | Full                | -50                 |       | 50    | nA       |
| <b>OUT/nOUT</b>                                 |              |  |                     |                     |       |       |          |
| Output Low Voltage<br>(Open-Drain or Push-Pull) | $V_{OL}$     | $V_{CC} \geq 1.2V$ , $I_{SINK} = 90\mu A$ ,<br>SGM895/SGM897/SGM899 only | Full                |                     |       | 0.3   | V        |
|   |              | $V_{CC} \geq 2.25V$ , $I_{SINK} = 0.5mA$                                 | Full                |                     |       | 0.3   |          |
|   |              | $V_{CC} \geq 4.5V$ , $I_{SINK} = 1mA$                                    | Full                |                     |       | 0.4   |          |
| Output High Voltage (Push-Pull)                 | $V_{OH}$     | $V_{CC} \geq 2.25V$ , $I_{SOURCE} = 500\mu A$                            | Full                | $0.8 \times V_{CC}$ |       |       | V        |
|   |              | $V_{CC} \geq 4.5V$ , $I_{SOURCE} = 800\mu A$                             | Full                | $0.8 \times V_{CC}$ |       |       |          |
| Output Open-Drain Leakage Current               | $I_{LKG}$    | Output high impedance, $V_{OUT} = 28V$                                   | Full                |                     |       | 1     | $\mu A$  |
| <b>Timing</b>                                   |              |  |                     |                     |       |       |          |
| IN to OUT/nOUT Propagation Delay                | $t_{DELAY}$  | $V_{IN}$ rising  | $C_{CDELAY} = 0nF$  | Full                |       | 48    | $\mu s$  |
|   |              |  | $C_{CDELAY} = 47nF$ | Full                |       | 185   | ms       |
|   | $t_{DL}$     | $V_{IN}$ falling   | Full                |                     |       | 50    | $\mu s$  |
| ENABLE/nENABLE Minimum Input Pulse Width        | $t_{PW}$     |  | Full                | 1.1                 |       |       | $\mu s$  |
| ENABLE/nENABLE Glitch Rejection                 |              |  | Full                |                     |       | 210   | ns       |
| ENABLE/nENABLE to OUT/nOUT Delay                | $t_{OFF}$    | From device enabled to device disabled                                   | Full                |                     |       | 350   | ns       |
| ENABLE/nENABLE to OUT/nOUT Delay                | $t_{PROPP}$  | From device disabled to device enabled (SGM89_P)                         | Full                |                     |       | 350   | ns       |
|   |              | From device disabled to device enabled (SGM89_A)                         | $C_{CDELAY} = 0nF$  | Full                |       |       | 30       |
| $C_{CDELAY} = 47nF$                             | Full         |  |                     |                     |       | 185   | ms       |

### NOTES:

- When  $V_{CC}$  falls below the UVLO threshold, the outputs will deassert (OUT goes low or nOUT goes high).
- The output state is not guaranteed when  $V_{CC}$  falls below 1.2V.
- During the initial power-up,  $V_{CC}$  must exceed 1.6V for at least 2ms before the output is guaranteed to be in the correct state.

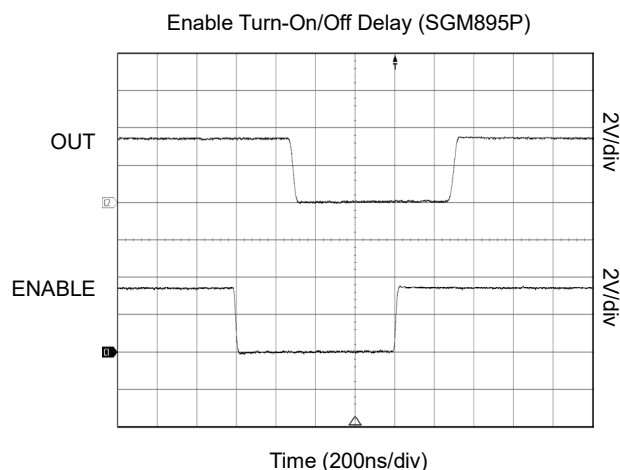
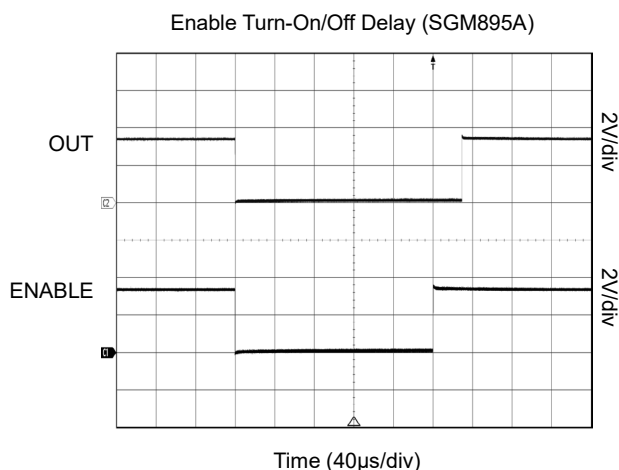
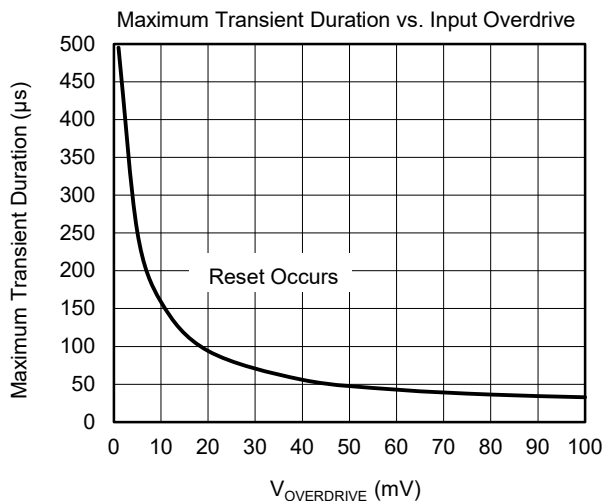
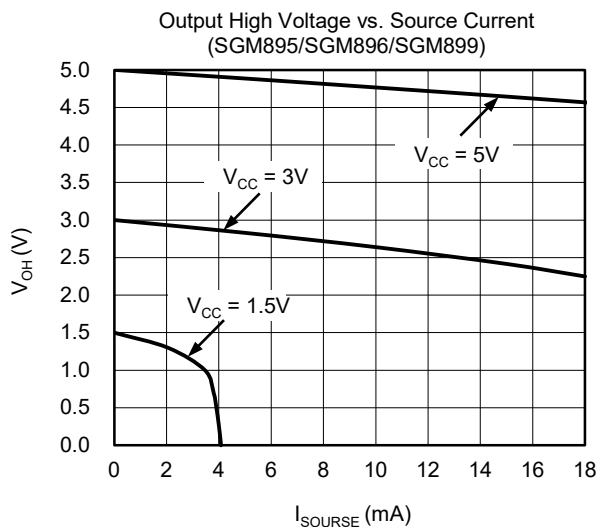
**TYPICAL PERFORMANCE CHARACTERISTICS**

$V_{CC} = 3.3V$  and  $T_J = +25^\circ C$ , unless otherwise noted.



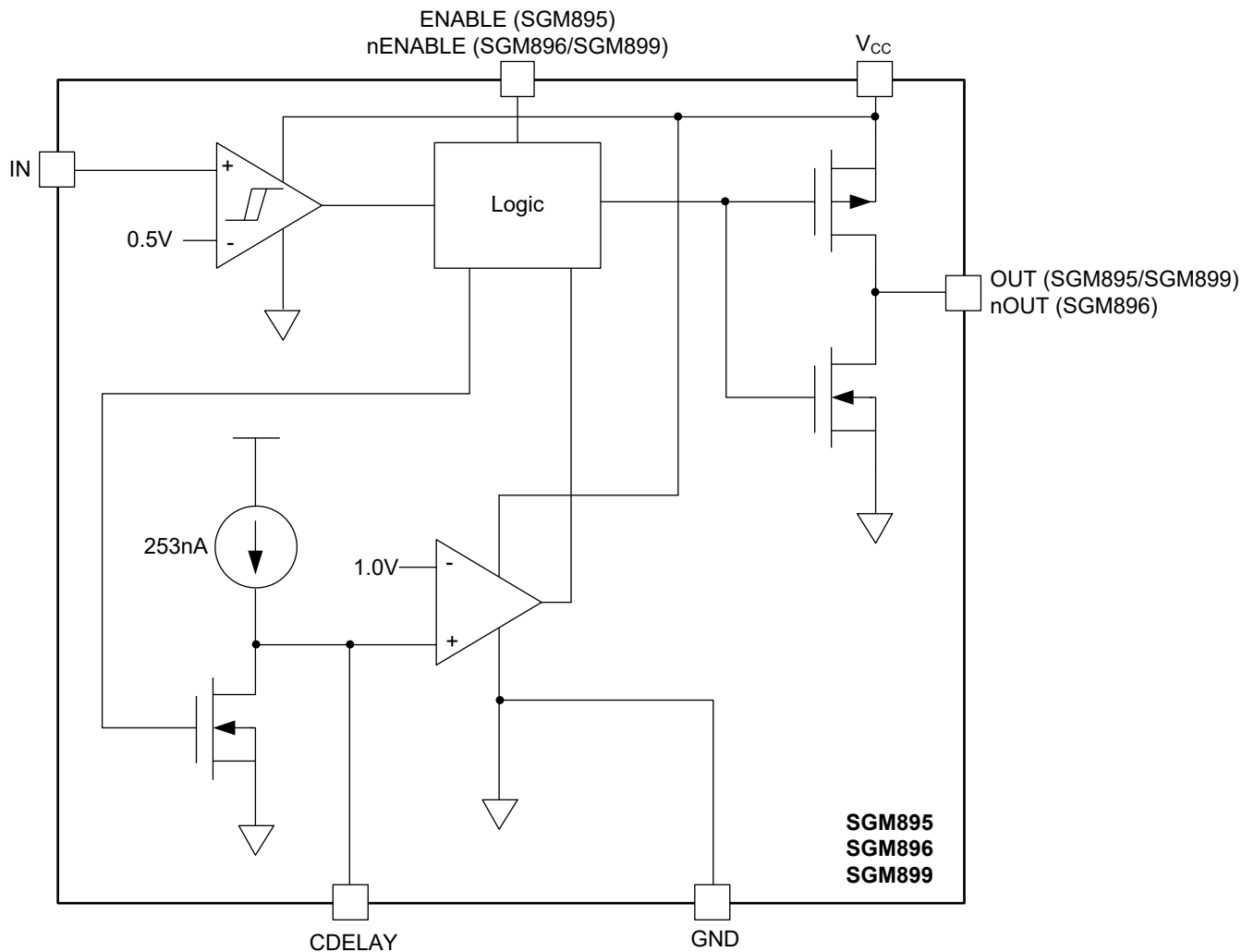
**TYPICAL PERFORMANCE CHARACTERISTICS (continued)**

$V_{CC} = 3.3V$  and  $T_J = +25^{\circ}C$ , unless otherwise noted.





**FUNCTIONAL BLOCK DIAGRAM**



**Figure 2. SGM895/SGM896/SGM899 Block Diagram**

**DETAILED DESCRIPTION**

The SGM895/SGM896/SGM897/SGM898/SGM899 are low-power and high-accuracy microprocessor supervisory circuits with adjustable sequencing capability.

When  $V_{IN}$  exceeds  $V_{TH}$ , the enable input can be used to set the output asserted or deasserted. After the enable input is asserted, the output asserts with the CDELAY adjusted delay period (SGM89\_A) or with a 350ns fixed propagation delay (SGM89\_P). Table 1, 2, and 3 show the details of the output state depending on the various input and enable conditions.

**Table 1. SGM895/SGM897 Output**

| IN Pin            | ENABLE Pin | OUT Pin                       |
|-------------------|------------|-------------------------------|
| $V_{IN} < V_{TH}$ | Low        | Low                           |
| $V_{IN} < V_{TH}$ | High       | Low                           |
| $V_{IN} > V_{TH}$ | Low        | Low                           |
| $V_{IN} > V_{TH}$ | High       | OUT = $V_{CC}$ (SGM895)       |
|                   |            | OUT = high-impedance (SGM897) |

**Table 2. SGM896/SGM898 Output**

| IN Pin            | nENABLE Pin | nOUT Pin                       |
|-------------------|-------------|--------------------------------|
| $V_{IN} < V_{TH}$ | Low         | nOUT = $V_{CC}$ (SGM896)       |
|                   |             | nOUT = high-impedance (SGM898) |
| $V_{IN} < V_{TH}$ | High        | nOUT = $V_{CC}$ (SGM896)       |
|                   |             | nOUT = high-impedance (SGM898) |
| $V_{IN} > V_{TH}$ | Low         | Low                            |
| $V_{IN} > V_{TH}$ | High        | nOUT = $V_{CC}$ (SGM896)       |
|                   |             | nOUT = high-impedance (SGM898) |

**Table 3. SGM899 Output**

| IN Pin            | nENABLE Pin | OUT Pin |
|-------------------|-------------|---------|
| $V_{IN} < V_{TH}$ | Low         | Low     |
| $V_{IN} < V_{TH}$ | High        | Low     |
| $V_{IN} > V_{TH}$ | Low         | High    |
| $V_{IN} > V_{TH}$ | High        | Low     |

**Supply Voltage Input ( $V_{CC}$ )**

The device operates with a supply voltage range of 1.6V to 5.5V. When  $V_{CC}$  falls below the UVLO threshold voltage, the output deasserts. However, the output state is not guaranteed when  $V_{CC}$  falls below 1.2V. For

noisy systems, it is recommended to place a 100nF bypass capacitor close to the  $V_{CC}$  pin. For the active-high push-pull output device, connecting a 100kΩ external pull-down resistor to ground ensures the correct logic state for  $V_{CC}$  down to 0.

**Detection Input (IN)**

Connect a resistive divider to IN pin to monitor external voltages (see  $R_1$  and  $R_2$  of the Typical Application Circuit). IN has a rising threshold of  $V_{TH} = 0.5V$  and a falling threshold of 0.495V (5mV hysteresis). When  $V_{IN}$  exceeds  $V_{TH}$  and the enable input is asserted (ENABLE = high or nENABLE = low), OUT goes high (nOUT goes low) after a  $t_{DELAY}$  period. When  $V_{IN}$  falls below 0.495V, OUT goes low (nOUT goes high) after a 50μs delay. IN has a maximum ±20nA input leakage current, so it is permitted to use larger-value resistors without adding significant error to the resistive divider.

**Adjustable Delay (CDELAY)**

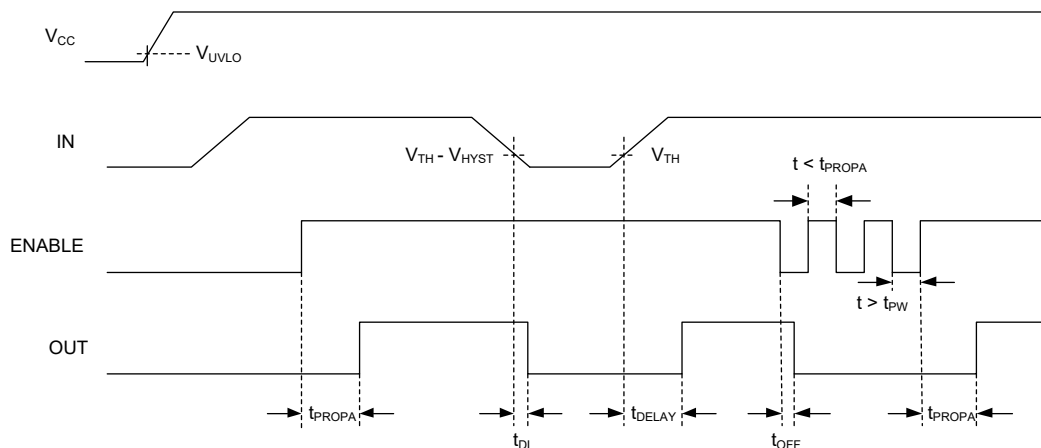
When  $V_{IN} > V_{TH}$  and the enable pin is asserted (ENABLE = high or nENABLE = low), the internal 253nA (TYP) current source begins to charge an external capacitor connected between CDELAY and GND. When the voltage at CDELAY reaches 1V, the output asserts (OUT goes high or nOUT goes low). When the output asserts,  $C_{CDELAY}$  is immediately discharged. Adjust the delay time according to the equation:

$$t_{DELAY} \text{ (ms)} = 3.95 \times C_{CDELAY} \text{ (nF)} + 0.048\text{ms} \quad (1)$$

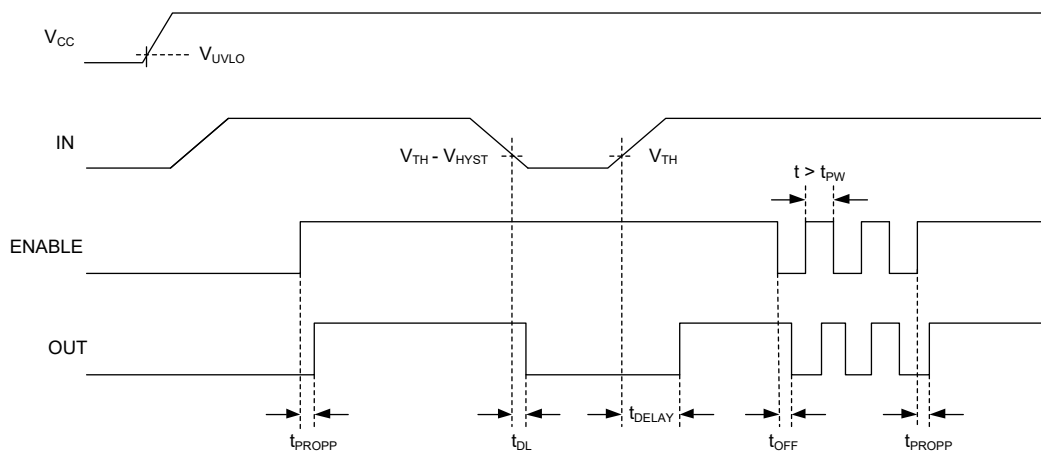
where  $C_{CDELAY}$  is the external capacitor from CDELAY to GND.

Under the condition of  $V_{IN} > V_{TH}$ , the output state depends on the state of ENABLE (nENABLE). For adjustable delay devices (SGM89\_A), when ENABLE goes from low to high (nENABLE goes from high to low) the output asserts after a  $t_{DELAY}$  period. For propagation delay devices (SGM89\_P), there is a 350ns fixed propagation delay from when the enable input is asserted to when the output asserts. Figure 3 through 8 show the timing diagrams of the adjustable and fixed delay devices, respectively.

**DETAILED DESCRIPTION (continued)**

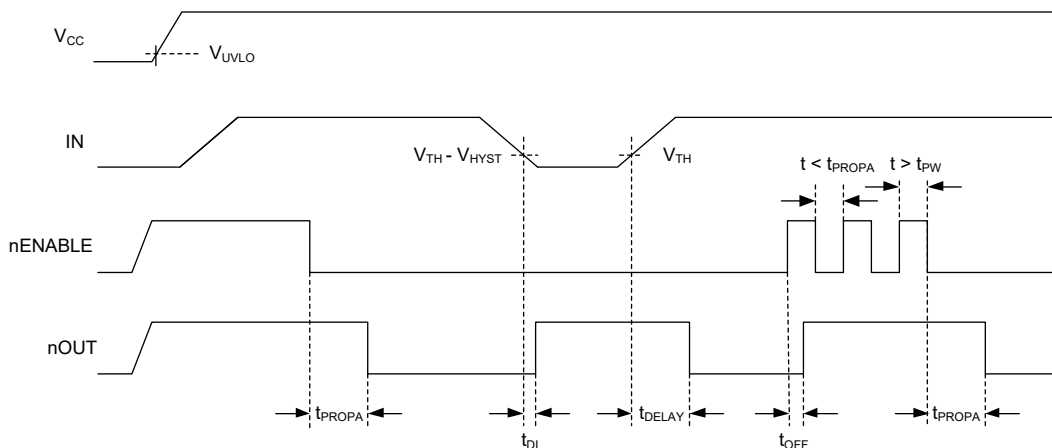


**Figure 3. SGM895A/SGM897A Timing Diagram**

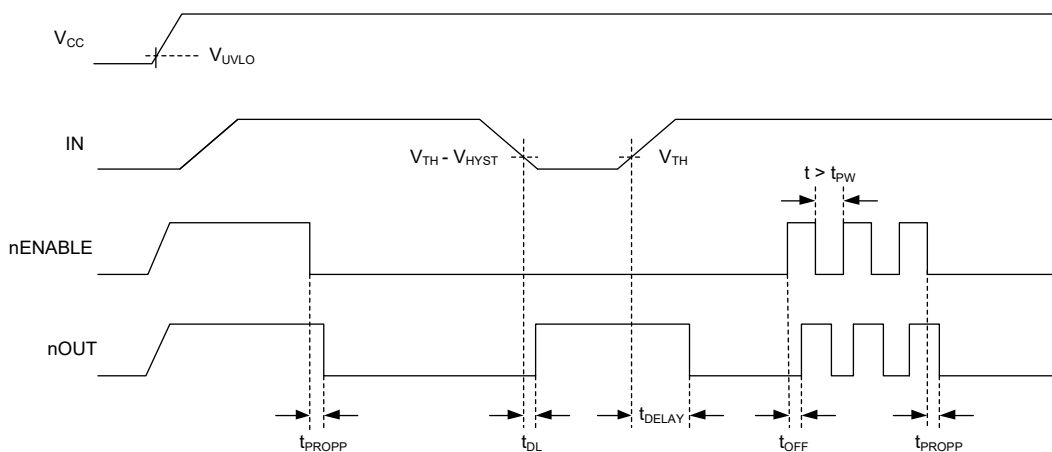


**Figure 4. SGM895P/SGM897P Timing Diagram**

**DETAILED DESCRIPTION (continued)**

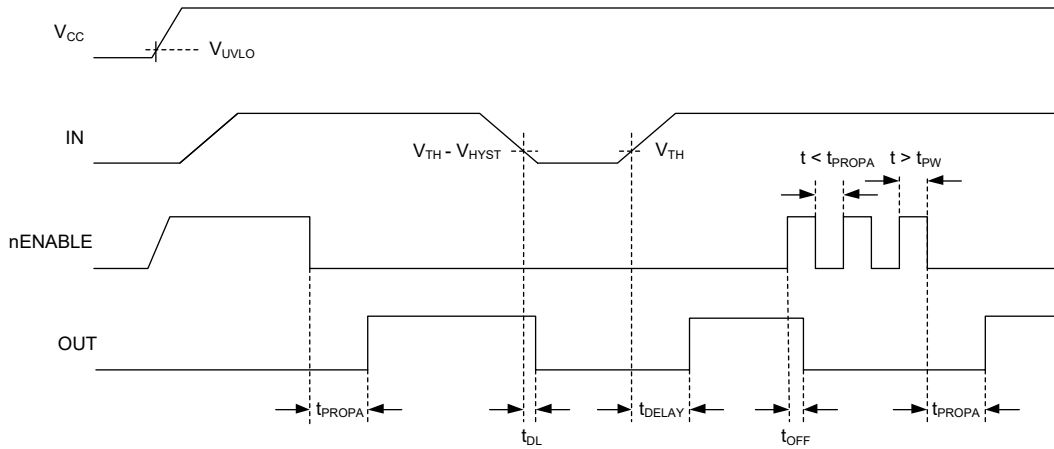


**Figure 5. SGM896A/SGM898A Timing Diagram**

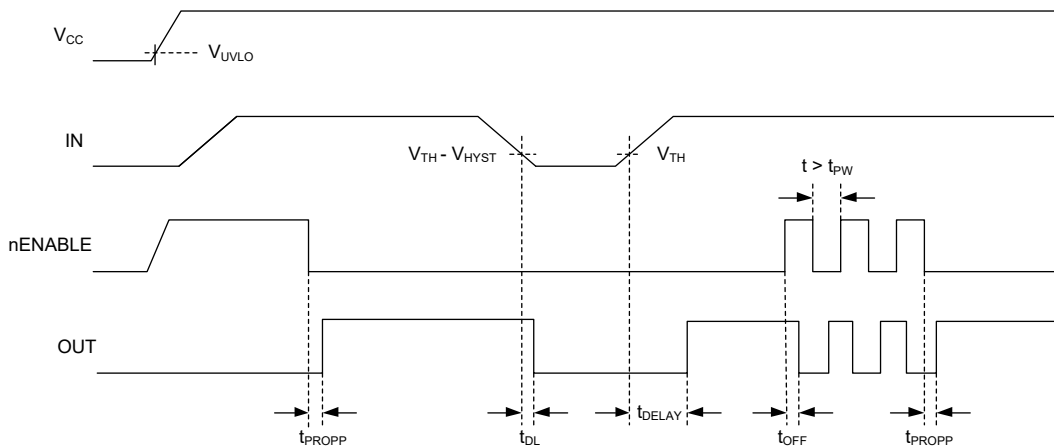


**Figure 6. SGM896P/SGM898P Timing Diagram**

**DETAILED DESCRIPTION (continued)**



**Figure 7. SGM899A Timing Diagram**



**Figure 8. SGM899P Timing Diagram**

**Enable Input (ENABLE or nENABLE)**

The SGM895/SGM897 provide an active-high enable input (ENABLE), while the SGM896/SGM898/SGM899 provide an active-low enable input (nENABLE). When  $V_{IN} > V_{TH}$ , SGM89\_A provide an adjustable delay period from when ENABLE is asserted to when the output asserts, while SGM89\_P provide a fixed propagation delay time.

The enable input offers logic-high threshold of 1.4V and logic-low threshold of 0.4V. When  $V_{IN} > 0.5V$ , set ENABLE low (nENABLE high) to force OUT low (nOUT high) within  $t_{PROPP}$ .

**Output (OUT or nOUT)**

The SGM895/SGM899 offer an active-high push-pull output (OUT), while the SGM896 offers an active-low push-pull output (nOUT). The SGM897 offers an active-high open-drain output (OUT), while the SGM898 offers an active-low open-drain output (nOUT).

The push-pull output devices are referenced to  $V_{CC}$ . The open-drain outputs can be pulled up to 28V.

**APPLICATION INFORMATION**

**Input Threshold**

The SGM895/SGM896/SGM897/SGM898/SGM899 detect the voltage on IN through an external resistive divider (see R<sub>1</sub> and R<sub>2</sub> in the Typical Application Circuit). Connect R<sub>1</sub> and R<sub>2</sub> as close to IN as possible to avoid the environment noise. The resistor values of R<sub>1</sub> and R<sub>2</sub> can be very high to minimize current consumption due to low IN leakage current. For example, set R<sub>2</sub> to 1MΩ and calculate R<sub>1</sub> based on the desired detection voltage by the following equation:

$$R_1 = R_2 \times \left[ \frac{V_{MONITOR}}{V_{TH}} - 1 \right] \tag{2}$$

where V<sub>MONITOR</sub> is the desired detection voltage and V<sub>TH</sub> is the detector input threshold (0.5V).

**Pull-Up Resistor Values (SGM897/SGM898)**

The exact pull-up resistor values for the open-drain outputs are not critical, however, proper logic levels should be ensured. For example, if V<sub>CC</sub> = 2.25V and the pull-up voltage is 28V, users should keep the sink current less than 0.5mA as shown in the Electrical Characteristics Table. As a result, the pull-up resistor should be greater than 56kΩ. For a 12V pull-up, the resistor should be larger than 24kΩ. Note that the ability to sink current is dependent on the V<sub>CC</sub> supply voltage.

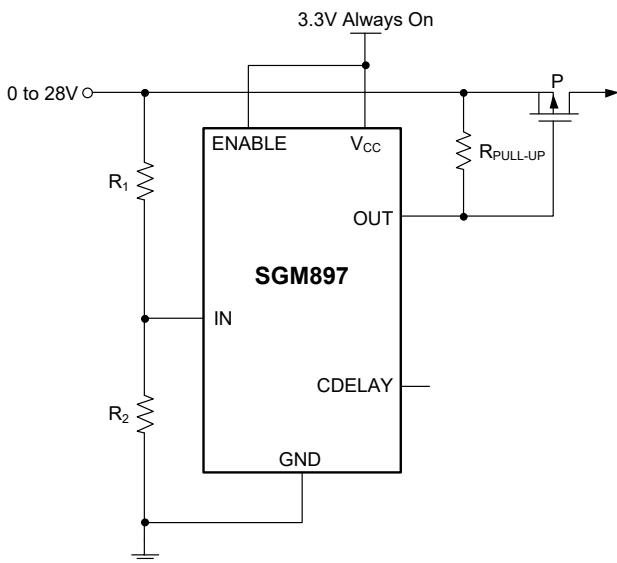
**Typical Application Circuits**

Figure 9, 10 and 11 show typical applications for the SGM895/SGM896/SGM897/SGM898/SGM899. Figure 9 shows that the SGM897 is used as an over-voltage protection circuit by a P-channel MOSFET. Figure 10 shows that the SGM895 is used as a low-voltage sequencing circuit by an N-channel MOSFET. Finally, Figure 11 shows that the SGM895 is used in a multiple-output sequencing application.

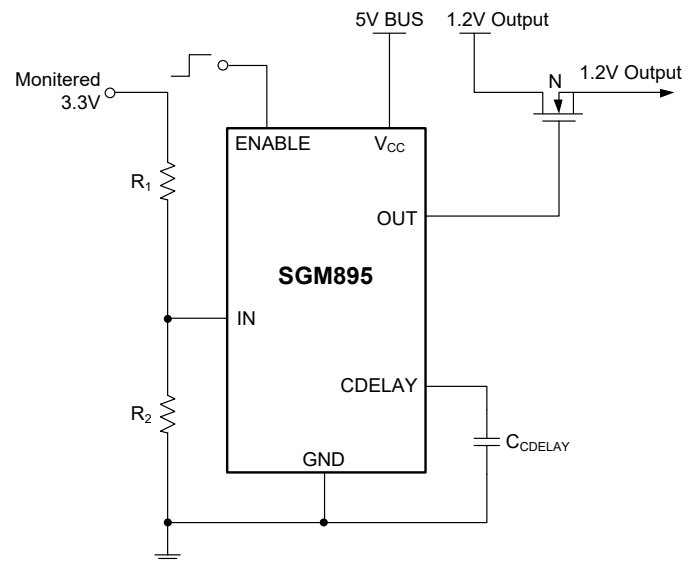
**Using an N-Channel Device for Sequencing**

In higher power applications, the power loss of N-channel MOSFET can be reduced due to its lower on-resistance. However, it requires a sufficient positive V<sub>GS</sub> voltage to fully turn on. The application in Figure 10 shows the SGM895 in a switch sequencing application using an N-channel MOSFET.

Similarly, if a higher voltage is present in the system, the open-drain version can be used in the same manner.

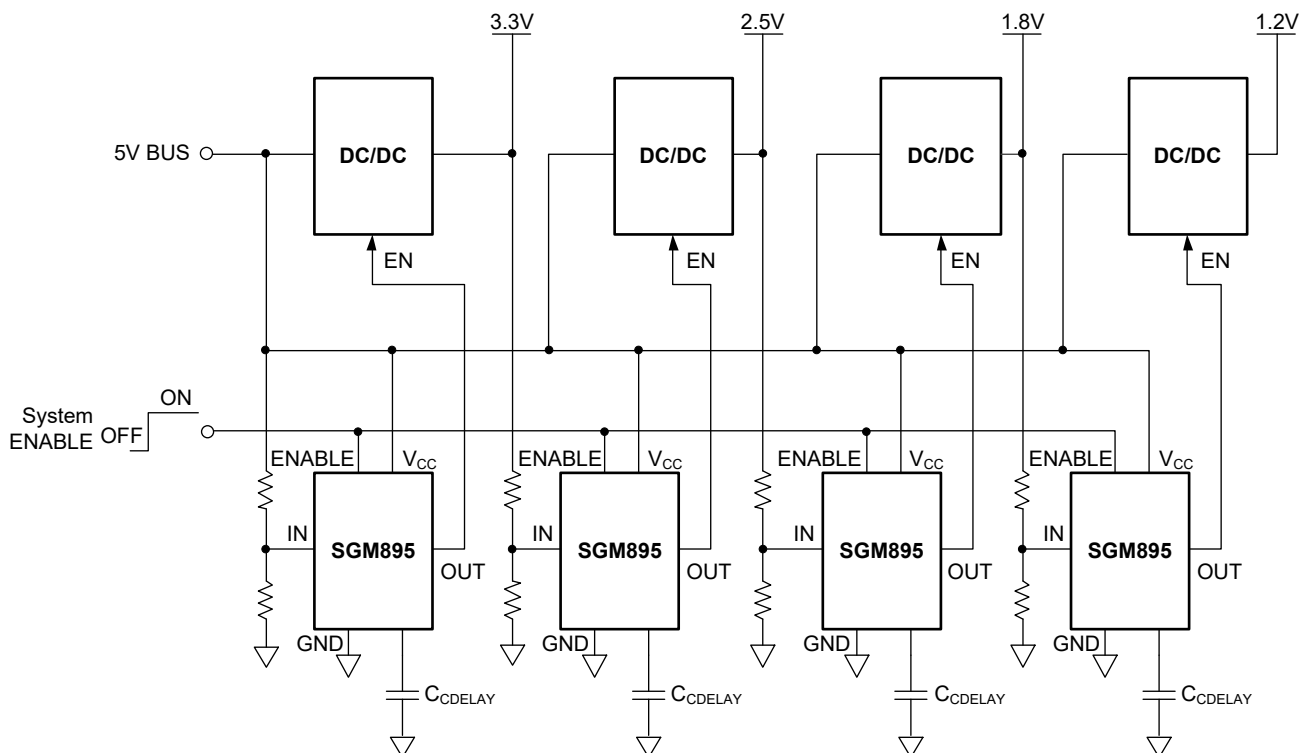


**Figure 9. Over-Voltage Protection**



**Figure 10. Low-Voltage Sequencing Using an N-Channel MOSFET**

**APPLICATION INFORMATION (continued)**



**Figure 11. Multiple-Output Sequencing**

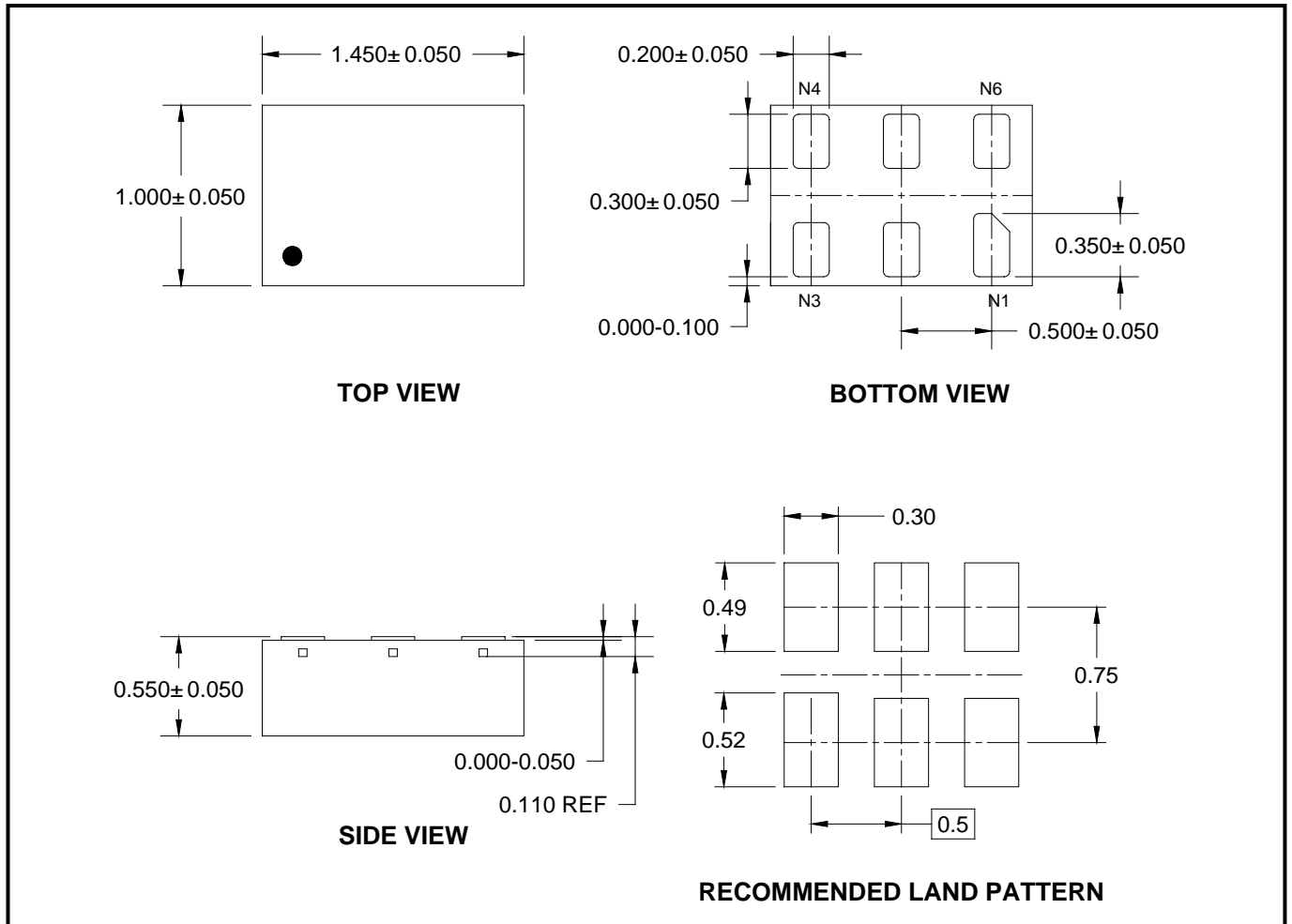
**REVISION HISTORY**

NOTE: Page numbers for previous revisions may differ from page numbers in the current version.

| Changes from Original (JULY 2020) to REV.A           | Page |
|--|------|
| Changed from product preview to production data..... | All  |

PACKAGE OUTLINE DIMENSIONS

UTDFN-1.45x1-6AL



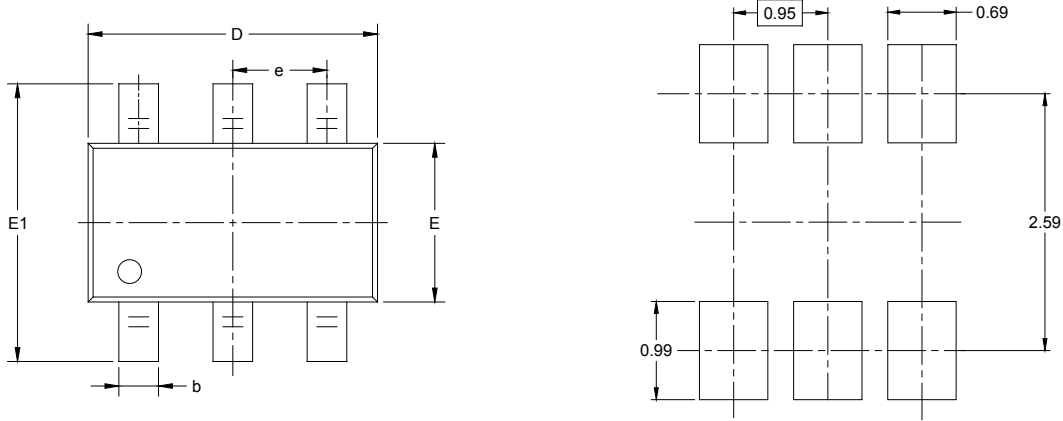
NOTE: All linear dimensions are in millimeters.



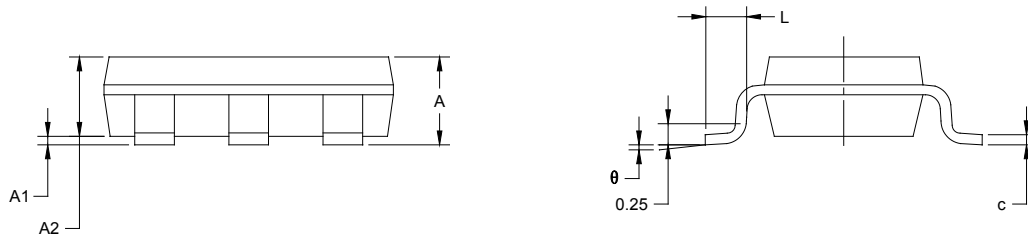
# PACKAGE INFORMATION

## PACKAGE OUTLINE DIMENSIONS

### TSOT-23-6



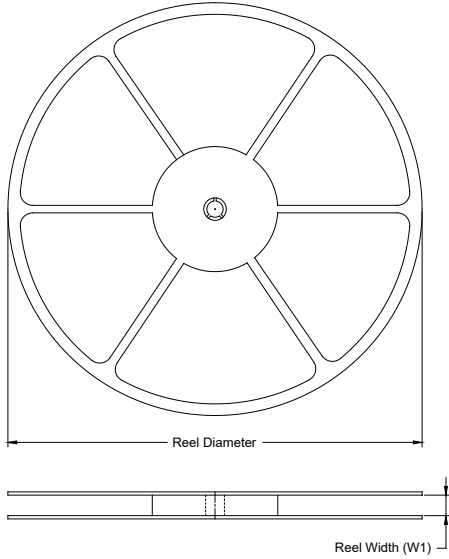
RECOMMENDED LAND PATTERN (Unit: mm)



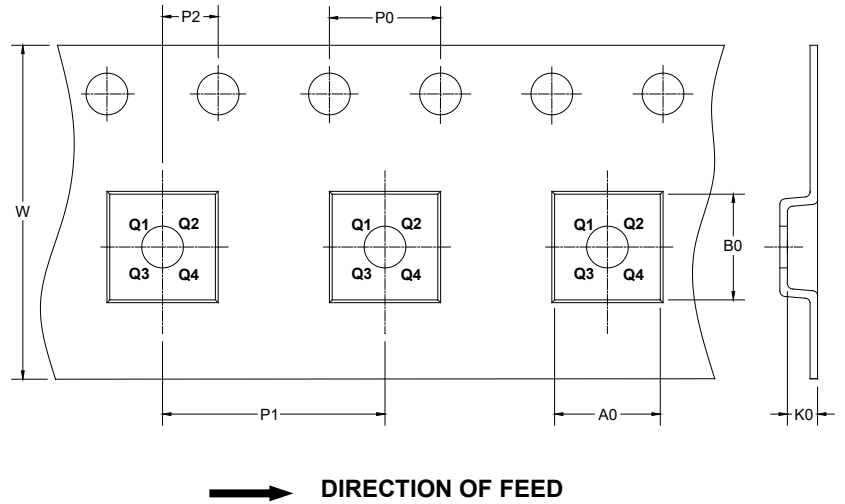
| Symbol | Dimensions<br>In Millimeters |       | Dimensions<br>In Inches |       |
|--------|------------------------------|-------|-------------------------|-------|
|        | MIN                          | MAX   | MIN                     | MAX   |
| A      |                              | 1.000 |                         | 0.043 |
| A1     | 0.000                        | 0.100 | 0.000                   | 0.004 |
| A2     | 0.700                        | 0.900 | 0.028                   | 0.039 |
| b      | 0.300                        | 0.500 | 0.012                   | 0.020 |
| c      | 0.080                        | 0.200 | 0.003                   | 0.008 |
| D      | 2.850                        | 2.950 | 0.112                   | 0.116 |
| E      | 1.550                        | 1.650 | 0.061                   | 0.065 |
| E1     | 2.650                        | 2.950 | 0.104                   | 0.116 |
| e      | 0.950 BSC                    |       | 0.037 BSC               |       |
| L      | 0.300                        | 0.600 | 0.012                   | 0.024 |
| θ      | 0°                           | 8°    | 0°                      | 8°    |

TAPE AND REEL INFORMATION

REEL DIMENSIONS



TAPE DIMENSIONS



NOTE: The picture is only for reference. Please make the object as the standard.

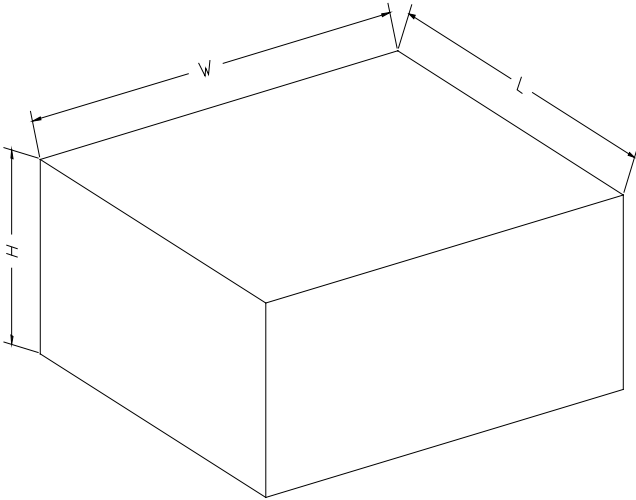
KEY PARAMETER LIST OF TAPE AND REEL

| Package Type     | Reel Diameter | Reel Width W1 (mm) | A0 (mm) | B0 (mm) | K0 (mm) | P0 (mm) | P1 (mm) | P2 (mm) | W (mm) | Pin1 Quadrant |
|------------------|---------------|--------------------|---------|---------|---------|---------|---------|---------|--------|---------------|
| UTDFN-1.45×1-6AL | 7"            | 9.5                | 1.15    | 1.60    | 0.75    | 4.0     | 4.0     | 2.0     | 8.0    | Q1            |
| TSOT-23-6        | 7"            | 9.5                | 3.20    | 3.10    | 1.10    | 4.0     | 4.0     | 2.0     | 8.0    | Q3            |

000001

# PACKAGE INFORMATION

## CARTON BOX DIMENSIONS



NOTE: The picture is only for reference. Please make the object as the standard.

## KEY PARAMETER LIST OF CARTON BOX

| Reel Type   | Length (mm) | Width (mm) | Height (mm) | Pizza/Carton |
|-------------|-------------|------------|-------------|--------------|
| 7" (Option) | 368         | 227        | 224         | 8            |
| 7"          | 442         | 410        | 224         | 18           |

DD0002

单击下面可查看定价，库存，交付和生命周期等信息

[>>SGMICRO\(圣邦微电子\)](#)