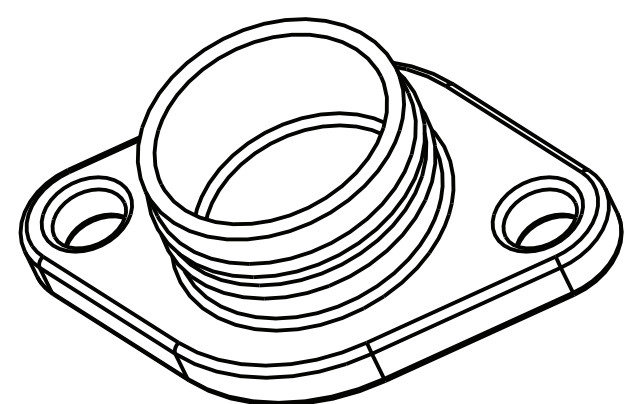
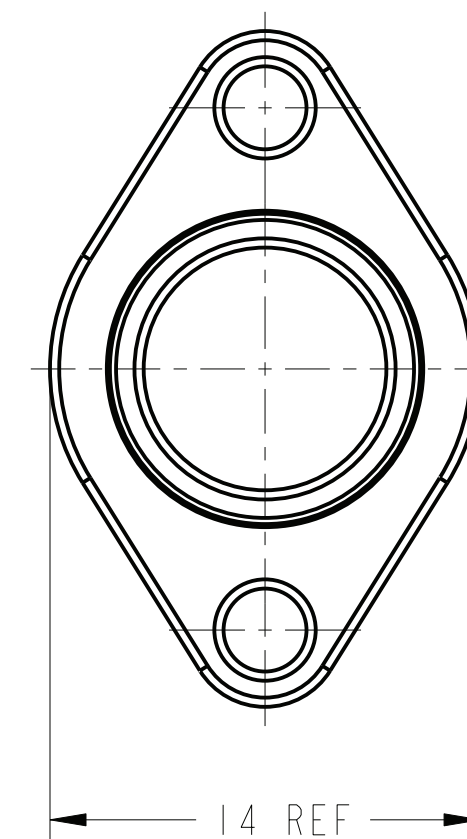
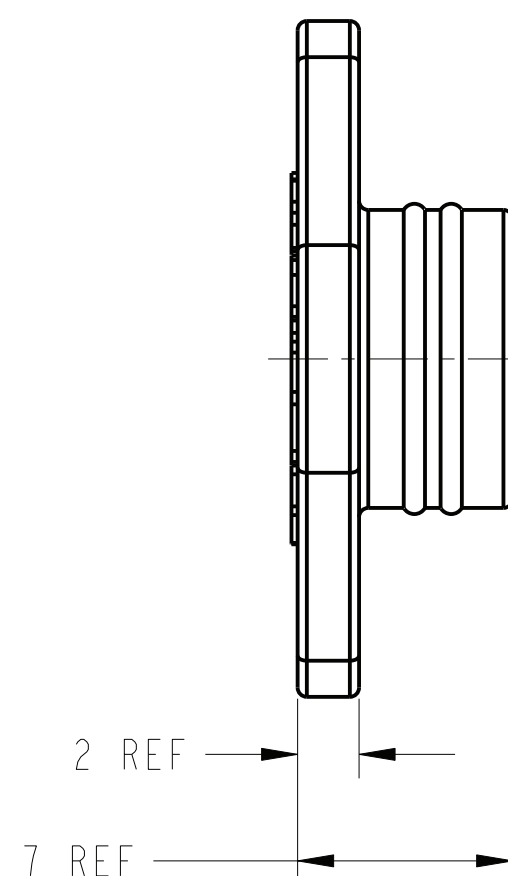
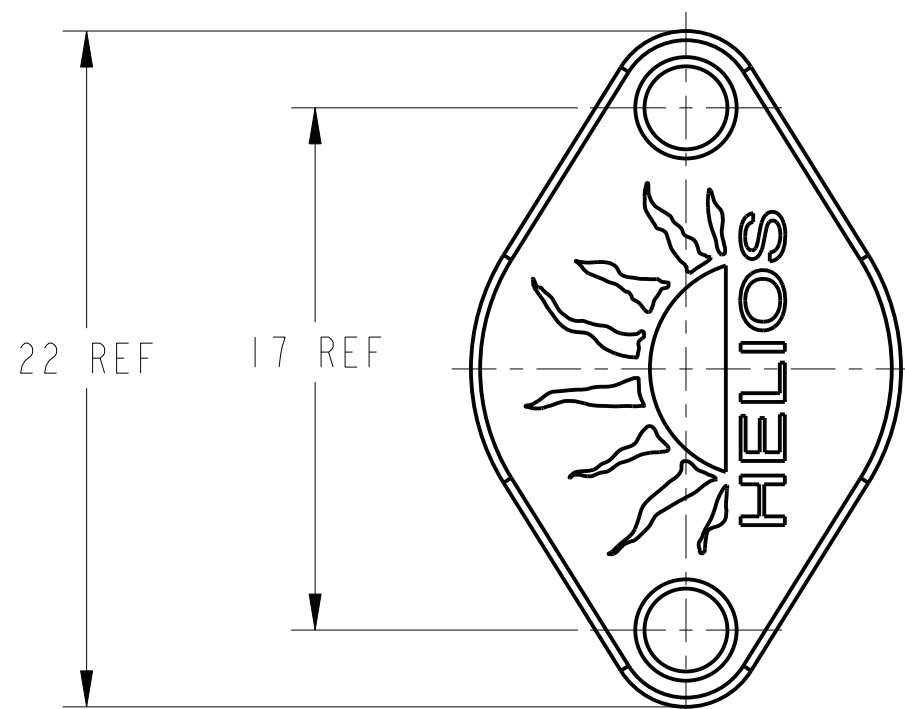


DOCUMENT NO. <b>H4PM</b>		SHEET 1 OF 1	
REVISIONS			
LTR	DESCRIPTION	DATE	
A	INITIAL RELEASE	2009-11-19	
B	REVISED DIMENSIONS	2010-11-29	



# CUSTOMER DRAWING



2. H4PM IS CUSTOMER P/N FOR MALE SEALING CAP.  
PV-080508-M08 IS MANUFACTURE P/N FOR THIS PART.
1. THE REFERENCED MATERIAL SHALL BE CERTIFIED COMPLIANT TO THE 2002/95/EC RoHS DIRECTIVE AS AMENDED PER 2005/618/EC.

**NOTES:**

THIS DOCUMENT CONTAINS PROPRIETARY INFORMATION AND SUCH INFORMATION MAY NOT BE DISCLOSED TO OTHERS FOR ANY PURPOSE OR USED FOR MANUFACTURING PURPOSES WITHOUT WRITTEN PERMISSION FROM THE AMPHENOL CORP.

N/A	PRO/ENGINEER INFORMATION
NEXT ASSEMBLY	Pro/e Model Used:
<b>METRIC DOCUMENT</b>	PV-080508-M08.PART
	Drawing Name:
	PV-080508-M08-CUSTOMERDRAWING

UNLESS OTHERWISE SPECIFIED	SPECIFICATIONS	POS	QTY	PART NUMBER	DESCRIPTION	NOTE
LINEAR DIMENSIONS ARE IN: <b>MILLIMETERS</b> TOLERANCES: ANGLES= ±2° DEFAULT LINEAR TOLERANCES SEE TABLE	MATERIAL SPEC. N/A	APPROVALS		DATE	PARTS LIST	
DIM. & TOL. PER ASME Y14.5M-1994; DRM PER MIL-DTL-31000; OTHER AMPHENOL STANDARDS: 9-9318	PROCESS SPEC. N/A	ENGINEER IN CHARGE		2010-11-29	<b>AMPHENOL INDUSTRIAL OPERATIONS</b> Block 5, Fuan 2nd Industrial Park, Dayang Road, Dayang Development Zone, Fuyong Town, Baoan, Shenzhen, PRC	
LEGENDS: △=FLAG NOTE CALL OUT REFERENCE ONLY		DESIGN MANAGER			<b>SEALING CAP FOR PV-MALE</b>	
		DESIGN ACTIVITY GROUP		C&I	THIRD ANGLE PROJECTION	
		THIRD ANGLE PROJECTION			SIZE <b>C</b>	CAGE CODE <b>77820</b>
					DOCUMENT NO. <b>H4PM</b>	REV. <b>B</b>
					SCALE: 0.2	SHEET 1 OF 1

DOCUMENT NO.  
**H4PM**

SHEET 1 OF 1

REV.  
**B**

C

B

A

D

C

REV.

SHEET 1 OF 1

DOCUMENT NO.  
**H4PM**

A

FORMAT: C-L-E-Rev-B

DOCUMENT NO.  
**H4PM**

SHEET 1 OF 1

REV.  
**B**

单击下面可查看定价，库存，交付和生命周期等信息

[>>Amphenol\(安费诺\)](#)