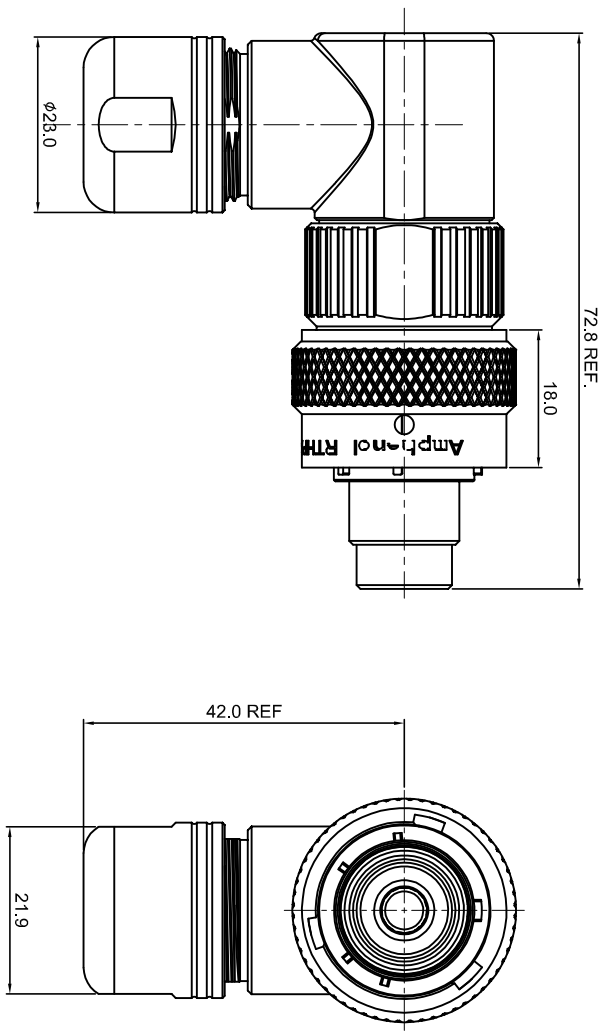
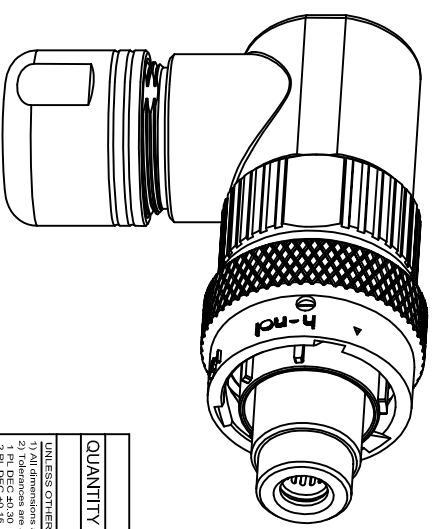


| REVISIONS | | | | |
|-----------|-----|------------------------|-----------|------------|
| REV | ECO | DESCRIPTION | DATE | BY APPR |
| B1 | - | RELEASE NEW DWG FORMAT | 2016-8-27 | FLAN TOMMY |



| KEY POS | PART NO. | Cable OD Range |
|---------|-------------------|----------------|
| N | RTHP6141SNH-25BS2 | |
| W | RTHP6141SMH-25BS2 | |
| X | RTHP6141SXH-25BS2 | 9.0-12.5 mm |
| Y | RTHP6141SYH-25BS2 | |
| Z | RTHP6141SZH-25BS2 | |



- NOTES:
- MATERIAL:
 - 1.1 HOUSING BODY: ZINC DIE-CAST, NICKEL PLATED
 - 1.2 COUPLING NUT: AL ALLOY, NICKEL PLATED
 - 1.3 INSULATION INSERT: PA66 UL94 V0
 - 1.4 CONTACT: COPPER ALLOY, SILVER PLATED
 - 1.5 SEAL: SILICONE RUBBER
 - SPECIFICATIONS:
 - 2.1 CURRENT RATING: 120 AMPS MAX.
 - 2.2 VOLTAGE RATING: 630 V AC/DC
 - 2.3 OPERATING TEMPERATURE: -40°C TO +125°C
 - 2.4 DIELECTRIC WITHSTANDING VOLTAGE: LESS THAN 2 MILLIAMPS CURRENT LEAKAGE @ 5000 VOLTS AC
 - 2.5 DEGREE OF PROTECTION: IP67 (MATED CONDITION)
 - 2.6 DEGREE OF POLLUTION: 3 PER UL840
 - 2.7 OVERVOLTAGE CATEGORY: III PER UL840
 - 2.8 MATING CYCLE DURABILITY: >100 CYCLES
 - 2.9 RoHS COMPLIANT
 - ALL DIMENSIONS ARE FOR REFERENCE USE ONLY.
 - "##" DENOTE KEY POSITION OF "N", "W", "X", "Y" OR "Z".
 - CONTACT P/N: HS25BCS

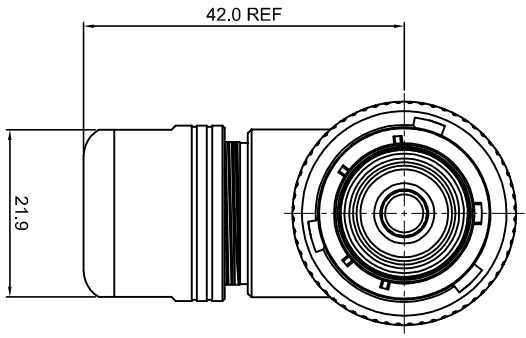
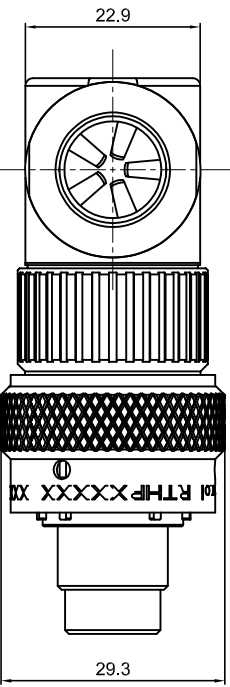
| QUANTITY | SEE PART NUMBER CHART | DESCRIPTION | ITEM |
|----------|-----------------------|-------------|------|
| | PART NUMBER | | |

| MATERIALS LIST | | | |
|---------------------------------------|--------------------|-----------|--|
| UNLESS OTHERWISE SPECIFIED | SIGNATURES | DATE | |
| 1) All dimensions are in millimeters. | DRAWN: Fhan | 2016-8-27 | |
| 2) Tolerances are as follows: | CHECKED: Jod | 2016-8-27 | |
| 1 Pl. DEC 40.30 Fractions .1"=1" | ENGINEER: Tommy | 2016-8-27 | |
| 3 Pl. DEC 40.08 Angles 1° | APPROVAL: Tommy | 2016-8-27 | |
| 3) Note reference = | CUSTOMER: ECO-MATE | | |

| PROCESS SPECIFICATIONS: | TEST ASST: | SCALE: | SHEET | OF |
|---|------------|--------|-------|----|
| THIS DRAWING IS SUBJECT TO THE AMPHENOL CORPORATION'S POLICY ON REVISIONS AND PERFORMANCE DATA. THE AMPHENOL CORPORATION ACCEPTS NO RESPONSIBILITY FOR REPRODUCTION AND LIAISON. ALL MANUFACTURING VARIATIONS ARE ACCEPTED. | | 3:2 | 1 | 1 |

Amphenol
 Site Systems - www.amphenol-site.com
 44724 Morley Drive
 Clinton Township, MI 48036

ECO-MATE PLUG, 6mm RADSOK 90 ANGLE
 CRIMP TYPE SHIELDING CORD GRIP



单击下面可查看定价，库存，交付和生命周期等信息

[>>Amphenol\(安费诺\)](#)