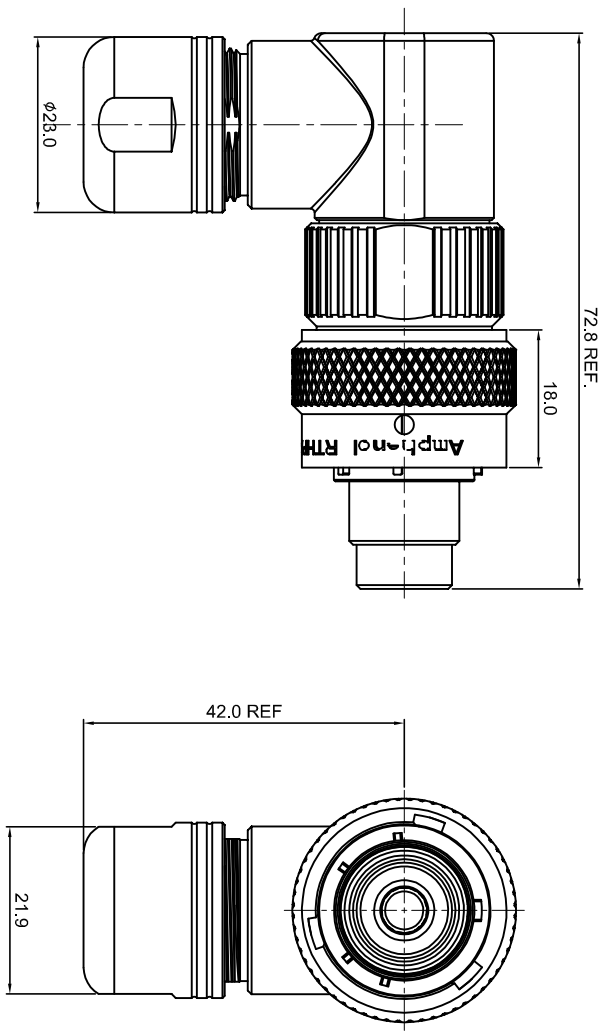
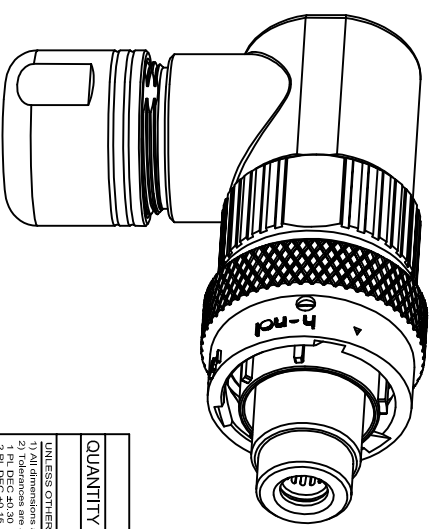
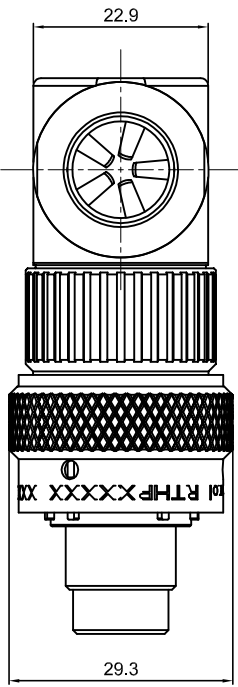


REVISIONS				
REV	ECO	DESCRIPTION	DATE	BY APPR
B1	-	RELEASE NEW DWG FORMAT	2016-8-27	FLAN TOMMY



KEY POS	PART NO.	Cable OD Range
N	RTHP6141SNH-25BS2	
W	RTHP6141SMH-25BS2	
X	RTHP6141SXH-25BS2	9.0-12.5 mm
Y	RTHP6141SYH-25BS2	
Z	RTHP6141SZH-25BS2	



- NOTES:
- MATERIAL:
 - HOUSING BODY: ZINC DIE-CAST, NICKEL PLATED
 - COUPLING NUT: AL ALLOY, NICKEL PLATED
 - INSULATION INSERT: PA66 UL94 V0
 - CONTACT: COPPER ALLOY, SILVER PLATED
 - SEAL: SILICONE RUBBER
 - SPECIFICATIONS:
 - CURRENT RATING: 120 AMPS MAX.
 - VOLTAGE RATING: 630 V AC/DC
 - OPERATING TEMPERATURE: -40°C TO +125°C
 - DIELECTRIC WITHSTANDING VOLTAGE: LESS THAN 2 MILLIAMPS CURRENT LEAKAGE @ 5000 VOLTS AC
 - DEGREE OF PROTECTION: IP67 (MATED CONDITION)
 - OVERVOLTAGE CATEGORY: III PER UL840
 - MATING CYCLE DURABILITY: >100 CYCLES
 - RoHS COMPLIANT
 - ALL DIMENSIONS ARE FOR REFERENCE USE ONLY.
 - "##" DENOTE KEY POSITION OF "N", "W", "X", "Y" OR "Z".
 - CONTACT P/N: HS25BCS

QUANTITY	SEE PART NUMBER CHART	PART NUMBER	DESCRIPTION	ITEM
MATERIALS LIST				
UNLESS OTHERWISE SPECIFIED				
1) All dimensions are in millimeters.				
2) Tolerances are as follows:				
1 Pt. DEC 40.30 Fractions .1"1/4				
3 Pt. DEC 40.08 Angles .1°				
3) Note reference =				
MATERIAL SPECIFICATIONS:				
PROCESS SPECIFICATIONS:				
NEXT ASSY:				
SIGNATURES				
DRAWN:	Flan	DATE:	2016-8-27	
CREATED:	10d	ENGINEER:	2016-8-27	
APPROVAL:	Tommy	CUSTOMER:	2016-8-27	
SHEETS: 3 OF 2				
SCALE: 3:2				
SIZE: B				
TYPE: C-				
DWG NO: RTHP6141SXH-25BS2				
REVISION: B1				

REV	ECO	DESCRIPTION	DATE	BY	APPR
B1	-	RELEASE NEW DWG FORMAT	2016-8-27	FLAN	TOMMY

单击下面可查看定价，库存，交付和生命周期等信息

[>>Amphenol\(安费诺\)](#)