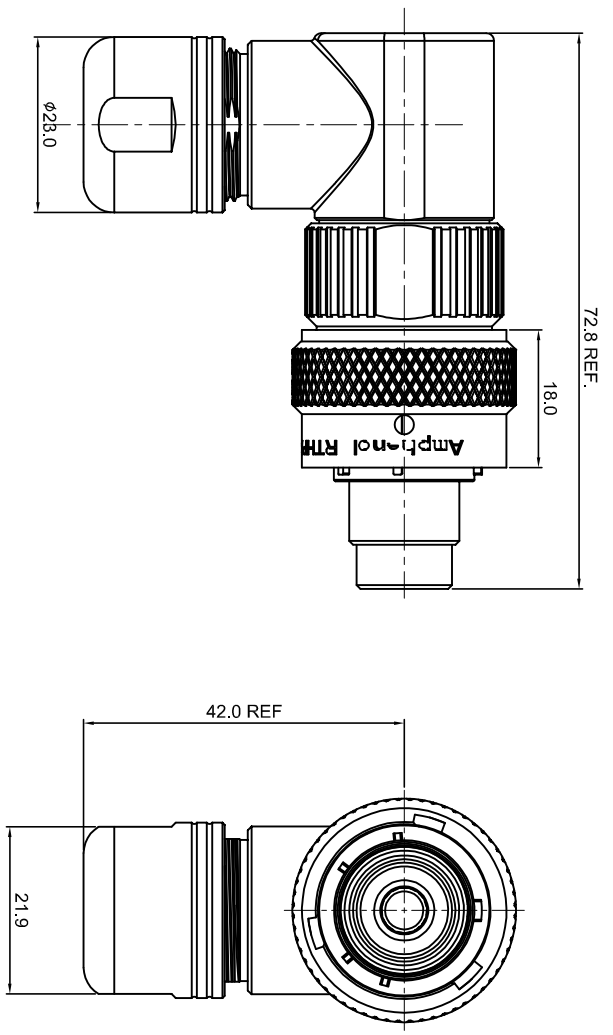
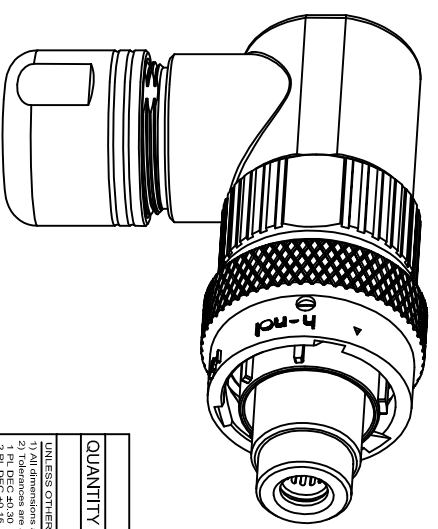


REVISIONS				
REV	ECO	DESCRIPTION	DATE	BY APPR
B1	-	RELEASE NEW DWG FORMAT	2016-8-27	FLAN TOMMY



KEY POS	PART NO.	Cable OD Range
N	RTHP6141SNH-25BS2	
W	RTHP6141SMH-25BS2	
X	RTHP6141SXH-25BS2	9.0-12.5 mm
Y	RTHP6141SYH-25BS2	
Z	RTHP6141SZH-25BS2	



- NOTES:
- MATERIAL:
 - 1.1 HOUSING BODY: ZINC DIE-CAST, NICKEL PLATED
 - 1.2 COUPLING NUT: AL ALLOY, NICKEL PLATED
 - 1.3 INSULATION INSERT: PA66 UL94 V0
 - 1.4 CONTACT: COPPER ALLOY, SILVER PLATED
 - 1.5 SEAL: SILICONE RUBBER
 - SPECIFICATIONS:
 - 2.1 CURRENT RATING: 120 AMPS MAX.
 - 2.2 VOLTAGE RATING: 630 V AC/DC
 - 2.3 OPERATING TEMPERATURE: -40°C TO +125°C
 - 2.4 DIELECTRIC WITHSTANDING VOLTAGE: LESS THAN 2 MILLIAMPS CURRENT LEAKAGE @ 5000 VOLTS AC
 - 2.5 DEGREE OF PROTECTION: IP67 (MATED CONDITION)
 - 2.6 DEGREE OF POLLUTION: 3 PER UL840
 - 2.7 OVERVOLTAGE CATEGORY: III PER UL840
 - 2.8 MATING CYCLE DURABILITY: >100 CYCLES
 - 2.9 RoHS COMPLIANT
 - ALL DIMENSIONS ARE FOR REFERENCE USE ONLY.
 - "##" DENOTE KEY POSITION OF "N", "W", "X", "Y" OR "Z".
 - CONTACT P/N: HS25BCS

QUANTITY	SEE PART NUMBER CHART	DESCRIPTION	ITEM
	PART NUMBER		

MATERIALS LIST			
UNLESS OTHERWISE SPECIFIED	SIGNATURES	DATE	
1) All dimensions are in millimeters.	DRAWN: Fhan	2016-8-27	
2) Tolerances are as follows:	CHECKED: Jod	2016-8-27	
1 Pl. DEC ±0.30	ENGINEER:		
Fractures ±.1/16"	APPROVAL: Tommy	2016-8-27	
3 Pl. DEC ±0.08	CUSTOMER:		
3) Note reference =			

PROCESS SPECIFICATIONS:			
THIS DRAWING IS SUBJECT TO THE FOLLOWING CONDITIONS:			
1. SPECIFICATIONS AND PERFORMANCE DATA ARE THE PROPERTY OF AMPHENOL CORPORATION. NO PARTS OR REPRODUCTION ARE PERMITTED. ALL MANUFACTURING VARIATIONS ARE PROHIBITED.			
SCALE:	3:2	SHEET:	1 OF 1

Amphenol
 Site Systems - www.amphenol-site.com
 44724 Morley Drive
 Clinton Township, MI 48036

ECO-MATE PLUG, 6mm RADSOK 90 ANGLE
 CRIMP TYPE SHIELDING CORD GRIP

单击下面可查看定价，库存，交付和生命周期等信息

[>>Amphenol\(安费诺\)](#)