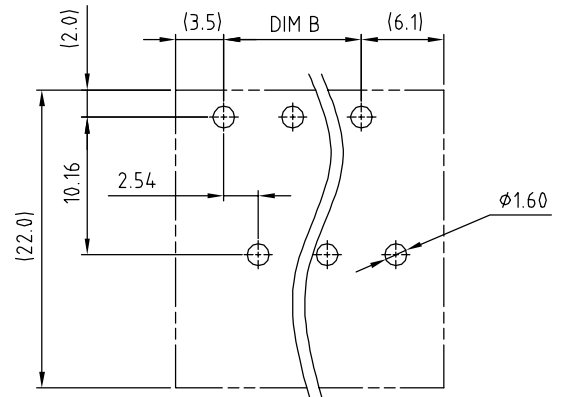
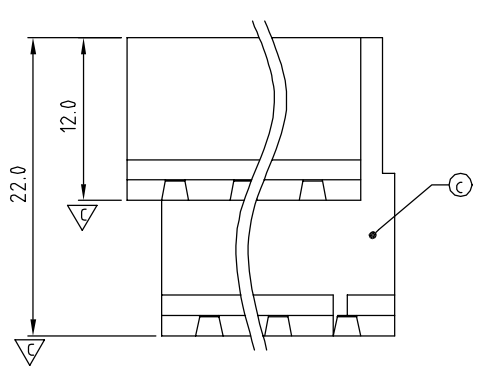
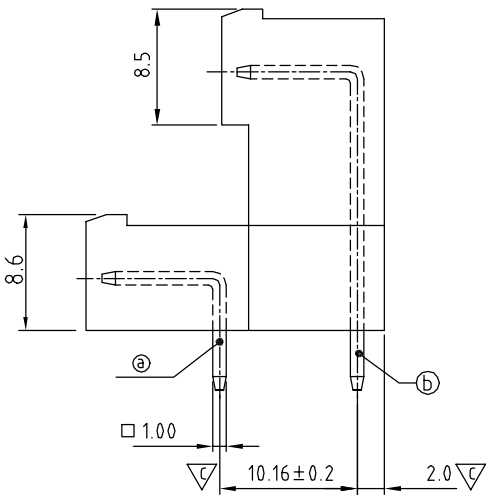
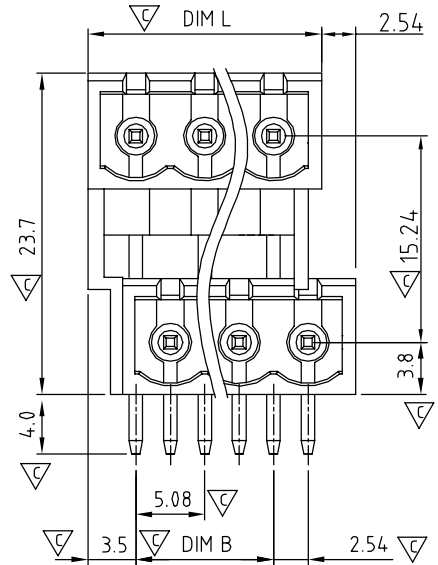


SIGN	DATE	DESCRIPTION	APPROVER
△	01/31'13	update the drawing	Dacheng
THIS IS CAD DRAWING, DO NOT REVISE MANUALLY!!!			



PCB LAYOUT
Top view △



- △ Material
- Item ① Short male Contact pin: Copper ,Tin plated
 - Item ② Long male Contact pin: Copper ,Tin plated
 - Item ③ Terminal (housing): Thermoplastic (UL94V-0)
- Electrical
- Voltage rating: 300VAC
 - △ ● Current rating: 10A
 - Withstanding Voltage: 1.6KV
 - Operating temperature: -40°C to +115°C
 - △ ● Soldering temperature: 260°C±5°C/5 Sec
 - △ ● Safety Approval: us
 - Critical dimension: △

VF xx 51 x 1 xxxx G

No. OF POLES ———— G RoHS compliant (lead<4%)
 04: 2×2 POLES
 06: 2×3 POLES
 In copper Alloy

Color ———— 0000 Standard @ Logo
 0 Black (RAL9005)
 2 Red (RAL3001/D)
 3 Orange(RAL2011/P)
 4 Yellow(RAL1018/A)
 5 Green(RAL6018/T)
 6 Blue(RAL5015/A)
 8 Grey(RAL7035/D)
 000A Standard ANY Logo
 Any special item by customer request, please contact sales department.

△ N=NUMBER OF CONTACTS

Dimension	TOL				
	2×2P-2×5P	2×6P-2×10P	2×11P-2×15P	2×16P-2×20P	2×21P-2×24P
Dim L (N/2-1)×5.08+7.08	±0.15	±0.20	±0.25	±0.30	±0.35
Dim B (N/2-1)×5.08	±0.15	±0.20	±0.25	±0.30	±0.35

ANYTEK				CUSTOMER COPY	
ALL RIGHTS RESERVED. REPRODUCTION OR ISSUE TO THIRD PARTIES IN ANY FORM WHATEVER IS NOT PERMITTED WITHOUT WRITTEN AUTHORITY FROM THE PROPRIETOR. PROPERTY OF ANYTEK TECHNOLOGY CO., LTD					
TITLE	VF-5.08 Series Right angle Close type				
PART NO.	VFxx51x1xxxxG	DWG NO.	8VF0105		
APPROVED	CHECKED	DESIGNED	DRAWN	CUST NO.	Tolerance
		Dacheng 2013.01.31	Dacheng 2013.01.31		X. ±0.50 X.X ±0.30 X.XX ±0.10 X° ±1°
				SHEET: 01/01	REV.: C

单击下面可查看定价，库存，交付和生命周期等信息

[>>Amphenol\(安费诺\)](#)