

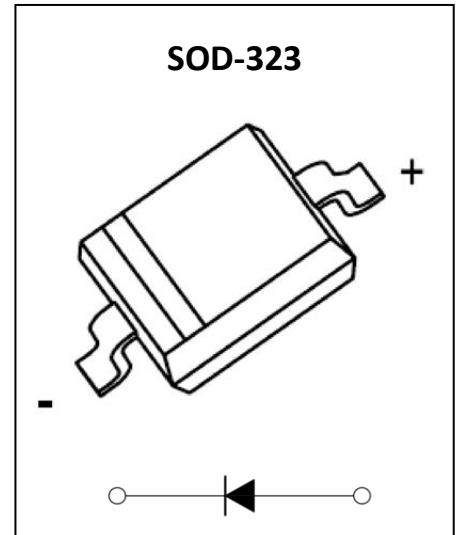
B5819WS Schottky Barrier Diode

Feature

- Small Power Mold Type
- Low VF
- Low IR
- High Reliability

Application

- High Frequency Inverters
- Free Wheeling
- Polarity Protection Applications



MARKING:



ABSOLUTE MAXIMUM RATINGS (T_a=25°C unless otherwise noted)

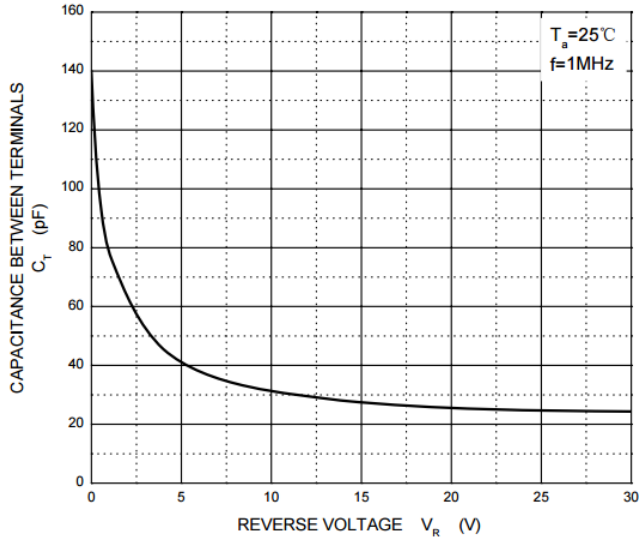
Parameter	Symbol	Value	Unit
DC reverse voltage	V _R	40	V
Mean rectifying current	I _O	1	A
Non-repetitive Peak Forward Surge Current @ t=8.3ms	I _{FSM}	9	A
Power Dissipation	P _D	0.35	W
Thermal Resistance from Junction to Ambient	R _{θJA}	285	°C/W
Junction Temperature	T _J	125	°C
Storage Temperature	T _{STG}	-55 ~ +150	°C

ELECTRICAL CHARACTERISTICS (T_a=25°C unless otherwise noted)

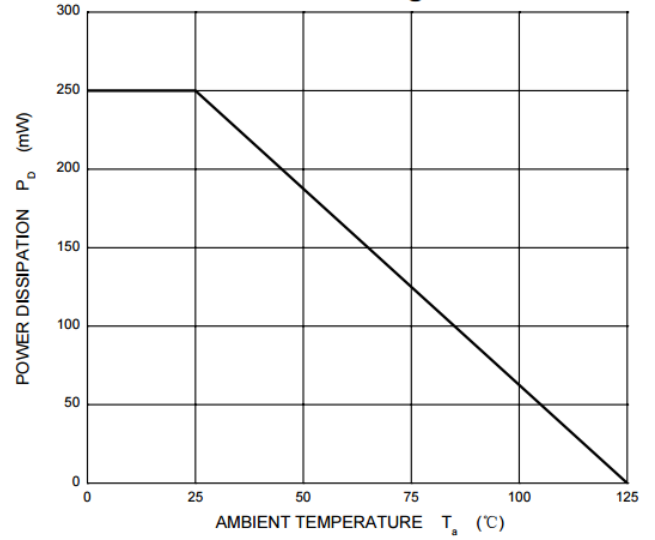
Parameter	Symbol	Test Condition	Min	Type	Max	Unit
Reverse voltage	V _{BR}	I _R =250μA	40	50		V
Forward voltage	V _F	I _F =0.5A	0	0.44	0.50	V
		I _F =1.0A	0	0.54	0.58	V
Reverse current	I _R	V _R =40V		5	30	μA
Diode capacitance	C _D	VR=4V, f=1MHz		20		pF

Typical Characteristics

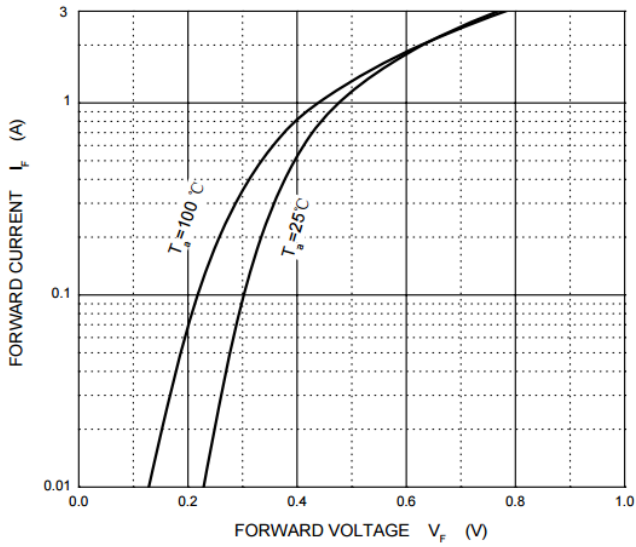
Capacitance Characteristics



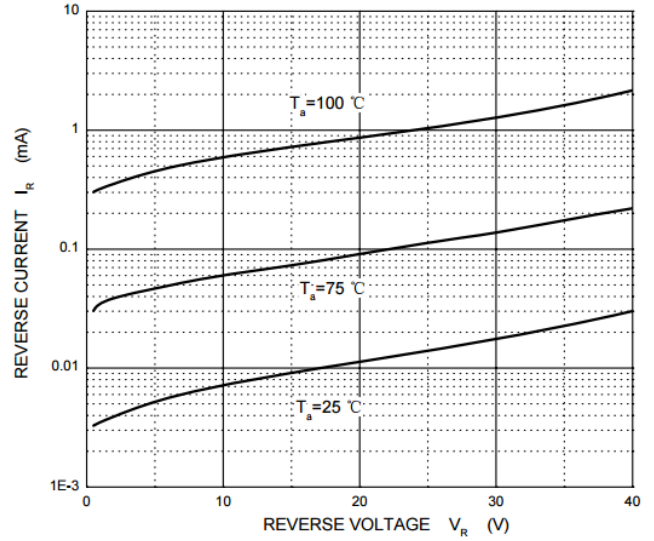
Power Derating Curve

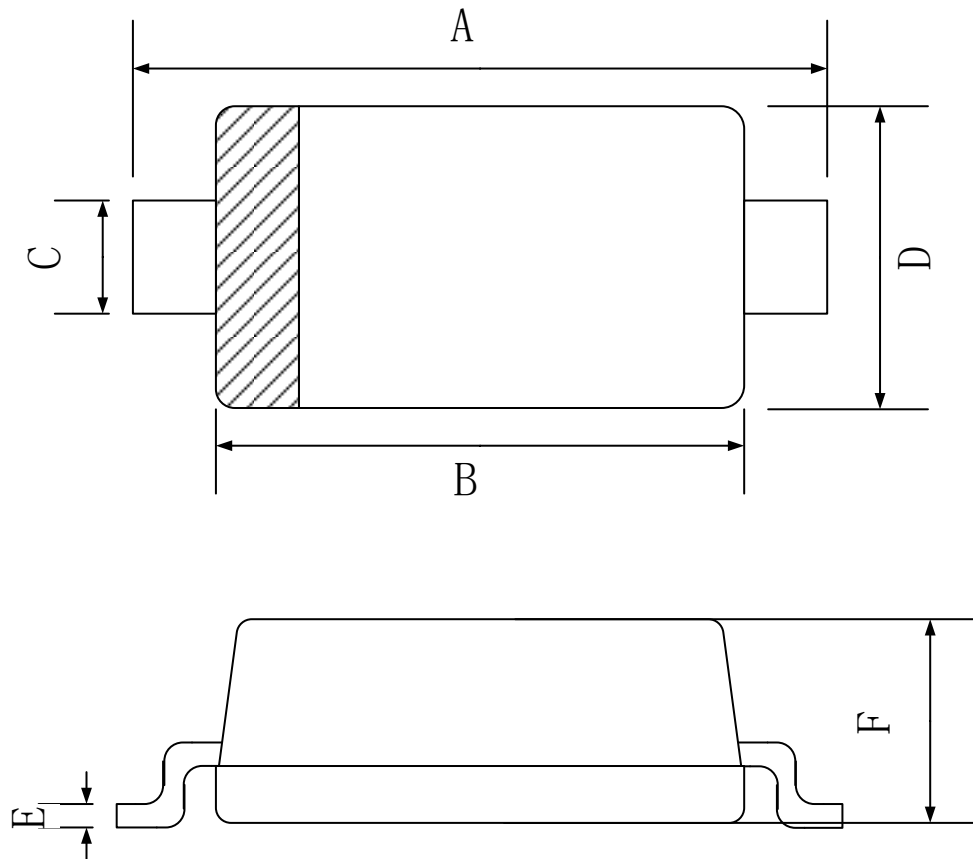


Forward Characteristics



Reverse Characteristics



SOD-323 Package Outline Dimensions


Symbol	Dimensions In Millimeters		
	Min.	Typ.	Max.
A	2.30	2.50	2.70
B	1.60	1.70	1.90
C	0.25	0.325	0.40
D	1.15	1.25	1.35
E	0.089	0.095	0.101
F	0.80	0.90	1.00

单击下面可查看定价，库存，交付和生命周期等信息

[>>GP\(格瑞宝\)](#)