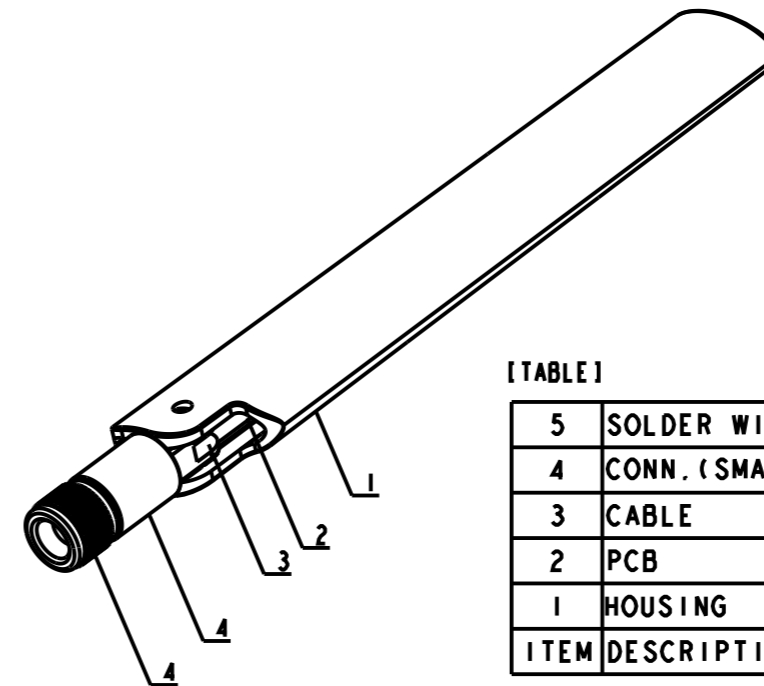
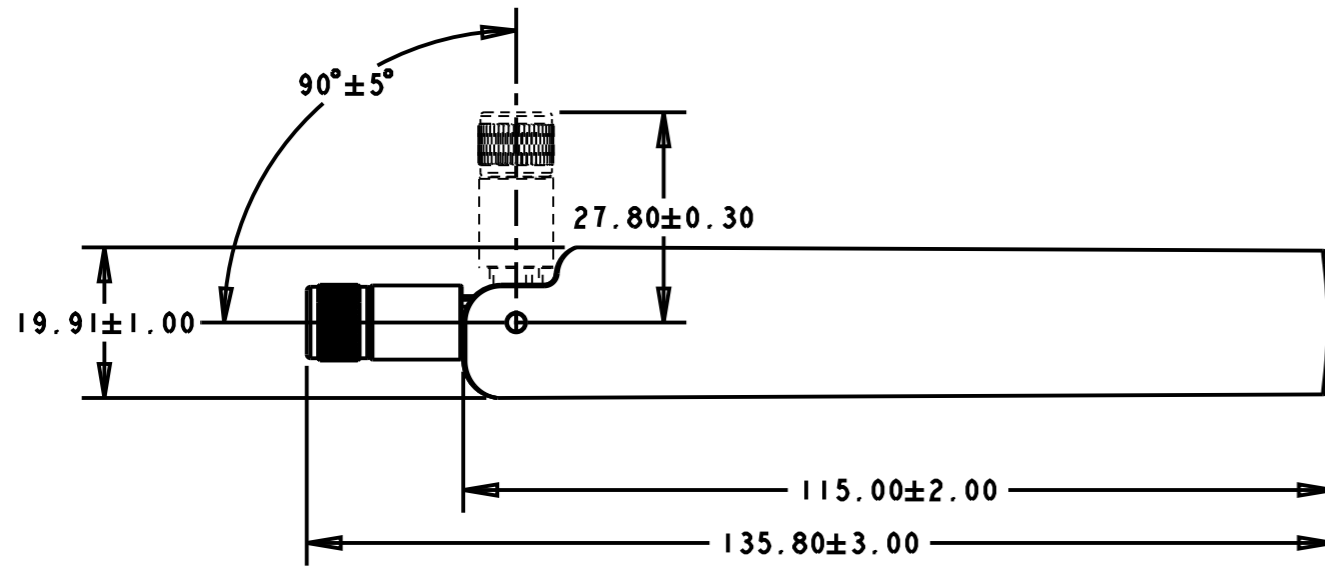


P	LTR	DESCRIPTION	DATE	DWN	APVD



[TABLE]

ITEM	DESCRIPTION	Q'TY
5	SOLDER WIRE	-
4	CONN. (SMA OR RP-SMA)	1
3	CABLE	1
2	PCB	1
1	HOUSING	1

AS SHOWN : 2108923-1, 2108923-2, 2108923-3, 2108923-4

NOTES

1. MATERIALS : REFER TO TABLE
2. PACKING: SECURELY SHRINK WRAPPED, VACUUM PACKED OR BAGS PACKAGED IN BULK.
3. CONSULT TE CONNECTIVITY DATA SHEET DS2108923.
4. OPERATING/STORAGE TEMP. : -20°C ~ +65°C

RP-SMA (MALE)	WHITE	2108923-4
RP-SMA (MALE)	BLACK	2108923-3
SMA (MALE)	WHITE	2108923-2
SMA (MALE)	BLACK	2108923-1
CONNECTOR TYPE	ENCLOSURE COLOR	PART NUMBER

THIS DRAWING IS A CONTROLLED DOCUMENT.		DWN DW.PARK 20APR2021													
DIMENSIONS: mm		CHK H.SHIN 20APR2021			NAME EXTERNAL ANTENNA, SMA/RP-SMA, Wi-Fi 6E										
TOLERANCES UNLESS OTHERWISE SPECIFIED:		APVD JH.KIM 20APR2021													
<table border="1"> <tr> <td>0 PLC</td> <td>±-</td> </tr> <tr> <td>1 PLC</td> <td>±-</td> </tr> <tr> <td>2 PLC</td> <td>±-</td> </tr> <tr> <td>3 PLC</td> <td>±-</td> </tr> <tr> <td>4 PLC</td> <td>±-</td> </tr> <tr> <td>ANGLES</td> <td>±-</td> </tr> </table>		0 PLC			±-	1 PLC	±-	2 PLC	±-	3 PLC	±-	4 PLC	±-	ANGLES	±-
0 PLC	±-														
1 PLC	±-														
2 PLC	±-														
3 PLC	±-														
4 PLC	±-														
ANGLES	±-														
MATERIAL -	FINISH -	WEIGHT -	SIZE A3	CAGE CODE 00779	DRAWING NO C-2108923	RESTRICTED TO -									
CUSTOMER DRAWING			SCALE 1:1	SHEET 1 OF 1	REV A										

单击下面可查看定价，库存，交付和生命周期等信息

[>>TE Connectivity\(泰科\)](#)