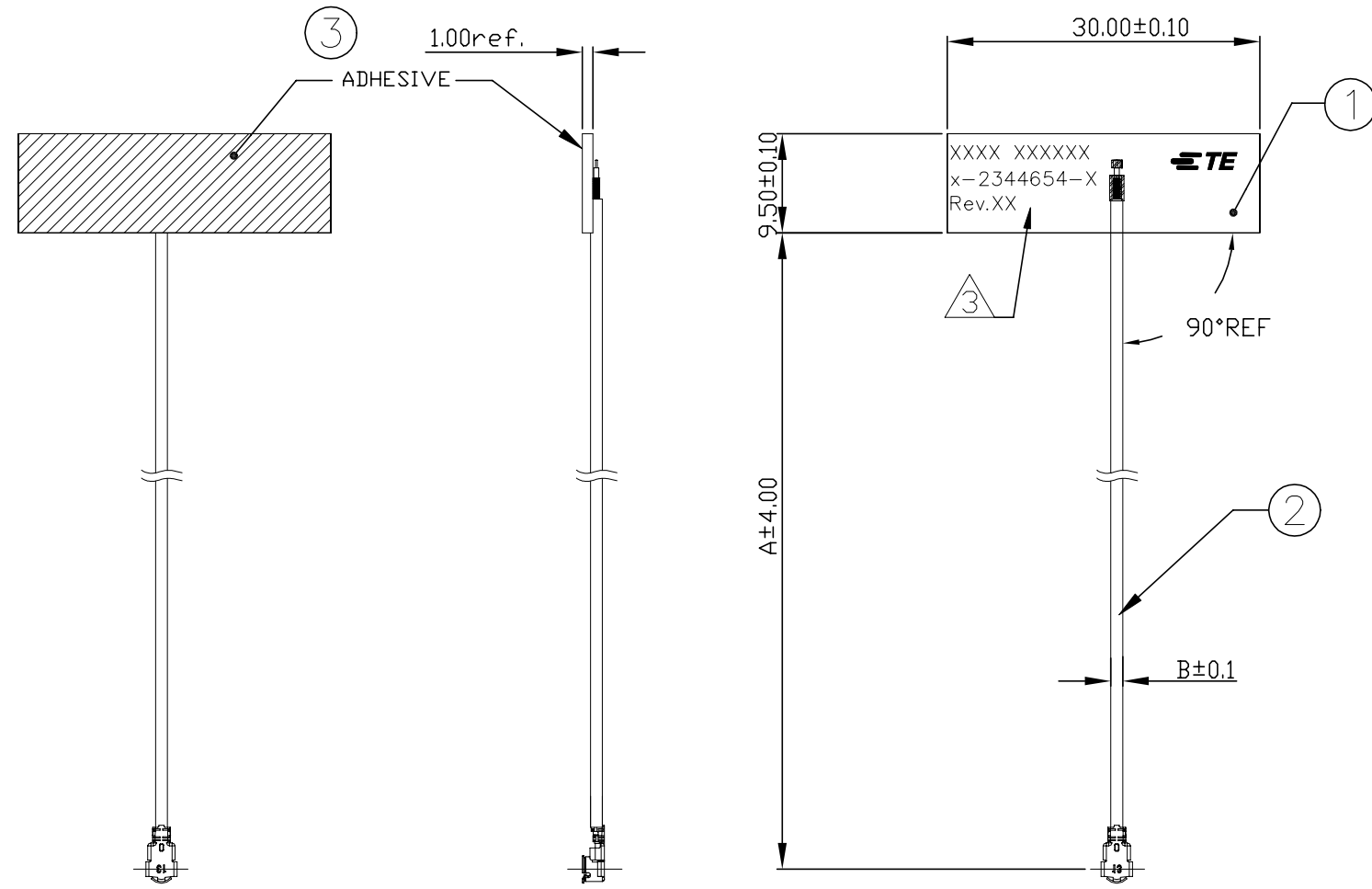


THIS DRAWING IS UNPUBLISHED. RELEASED FOR PUBLICATION  
 © COPYRIGHT - TE Connectivity ALL RIGHTS RESERVED.

REVISIONS				
P	LTR	DESCRIPTION	DATE	APVD
D2		UPSIDE DOWN SH#2 FORMAT	27APR2022	DC CY



1. MATERIALS : REFER TO TABLE.
  2. A: ALL MATERIALS, COMPONENTS AND PROCESSES SHALL COMPLY WITH TEC-138-702 (CONTAINS NO BANNED OR RESTRICTED SUBSTANCES)  
 B: NO REACH SVHC SHALL BE CONTAINED ABOVE THE THRESHOLD AS DEFINED IN REACH SVHC  
 C: LOW HALOGEN: CODE 2(Br<900PPM, Cl<900PPM, Br+Cl<1500PPM PER HOMOGENEOUS MATERIAL) COMPLIANCE DEFINITION IN ANNEX A OF TEC-138-702
- ⚠ IDENTIFICATION INCLUDES : FOUR DIGIT DATE CODE(FIRST 2 DIGITS FOR THE WEEK CODE AND THE 2ND TWO DIGITS FOR THE YEAR CODE), MANUFACTURING CONTROL NUMBER, TE PART NUMBER & REVISION NO.

CONNECTOR TYPE	B DIMENSION	A DIMENSION	PART NUMBER
UMCC GEN.4 (MHF4 TYPE)	0.81	200	2344654-8
		150	2344654-7
		100	2344654-6
		50	2344654-5
UMCC GEN.1 (MHF1 TYPE)	1.13	180	1-2344654-0
		350	2344654-9
		200	2344654-4
		150	2344654-3
		100	2344654-2
	50	2344654-1	

MATERIAL	NAME	ITEM NO.
DOUBLE-SIDED TAPE	ADHESIVE	3
COAXIAL CABLE & CONN	CABLE ASSY	2
FR-4	PCB ANTENNA	1

THIS DRAWING IS A CONTROLLED DOCUMENT.

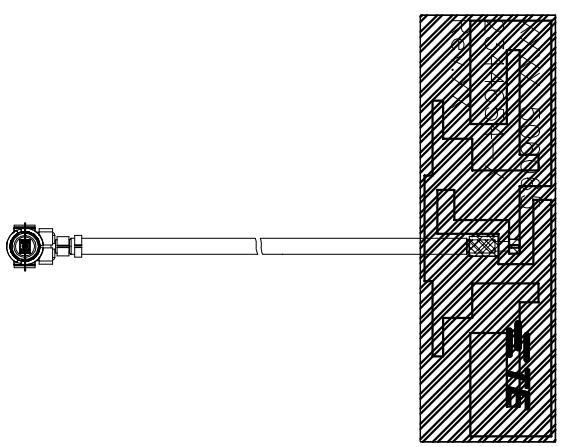
DWN PAUL HUNAG 22OCT2018	<b>TE</b> TE Connectivity
CHK AKU HUANG 22OCT2018	
APVD AMOS CHEAH 22OCT2018	NAME
PRODUCT SPEC	WLAN DUAL BAND ANTENNA PCB V
APPLICATION SPEC	
WEIGHT	SIZE A2 CAGE CODE 00779 DRAWING NO. C=2344654 RESTRICTED TO
CUSTOMER DRAWING	SCALE 1:1 SHEET 1 of 2 REV D2

2344654

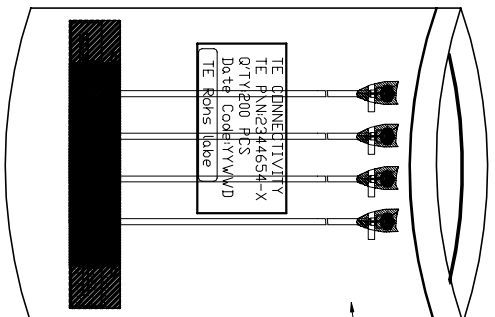
B

A

REVISONS		DATE	DMN	APPD
P	LTR	DESCRIPTION		
-	-	SEE SHEET 1	-	-



50PCS / BUNCH

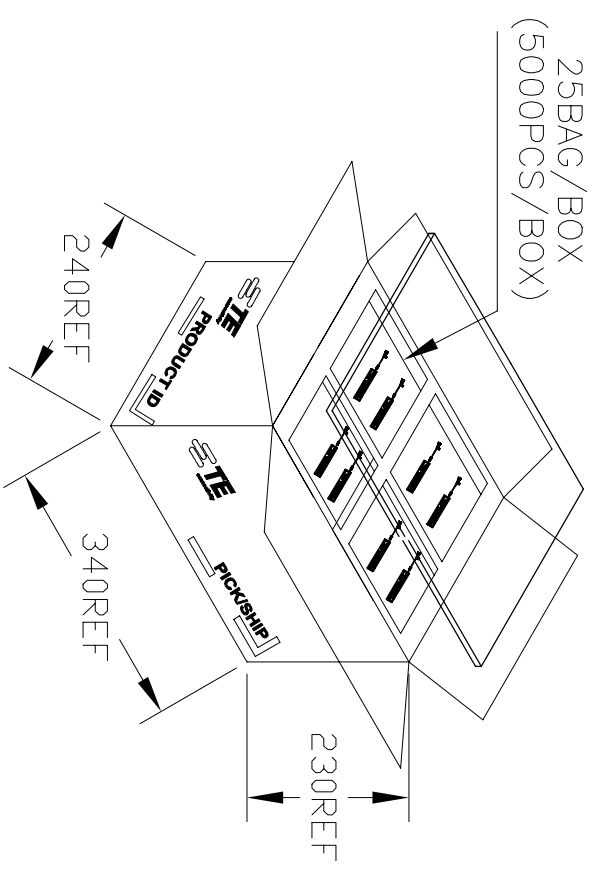


200PCS / BAG  
 DESICCANT: 1PCS / BAG

40REF  
 TE CONNECTIVITY  
 TE P\N:2344654-X  
 Q'TY:200 PCS  
 Date Code:YYWW  
 TE Rohs label

PACKING LABEL

PACKING QUANTITY		
Q'TY	Pcs/BAG	BAG/BOX
1	200	25
		5000

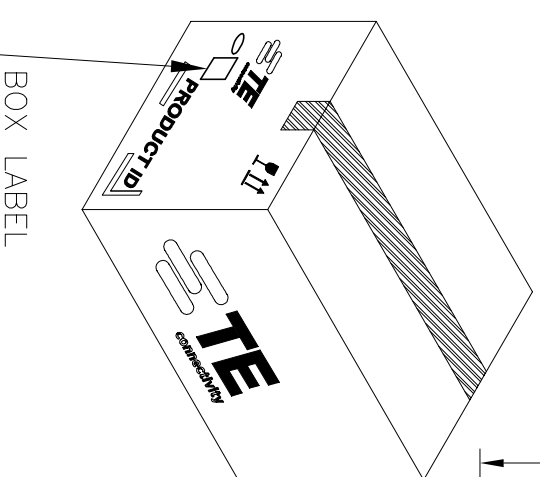


25BAG/BOX  
 (5000PCS/BOX)

240REF

340REF

230REF



BOX LABEL

55REF  
 TE CONNECTIVITY  
 TE P\N:2344654-X  
 Q'TY:5000 PCS  
 Date Code:YYWW  
 TE Rohs label

BOX LABEL

45REF

THIS DRAWING IS A CONTROLLED DOCUMENT.			
DMN	PAUL HUNAG	220C72018	
CHK	AKU HUANG	220C72018	
APPD	AMOS CHEAH	220C72018	
DIMENSIONS:		TOLERANCES UNLESS OTHERWISE SPECIFIED:	
mm		0 PLC	±
		1 PLC	±
		2 PLC	±
		3 PLC	±
		4 PLC	±
FINISH			±
MATERIAL			
APPLICATION SPEC			
WEIGHT			
CUSTOMER DRAWING			
NAME		WLAN DUAL BAND ANTENNA PCB V	
SIZE		A2	
CAGE CODE		00779	
DRAWING NO		2344654	
SCALE		NTS	
SHEET		2 of 2	
REV		D2	

单击下面可查看定价，库存，交付和生命周期等信息

[>>TE Connectivity\(泰科\)](#)