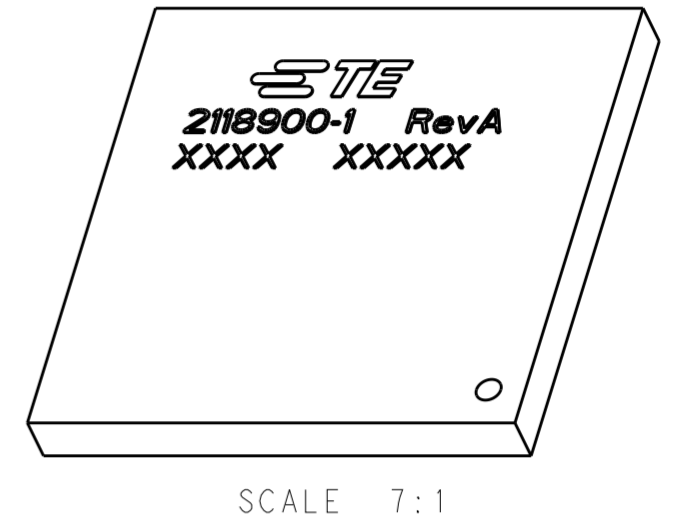
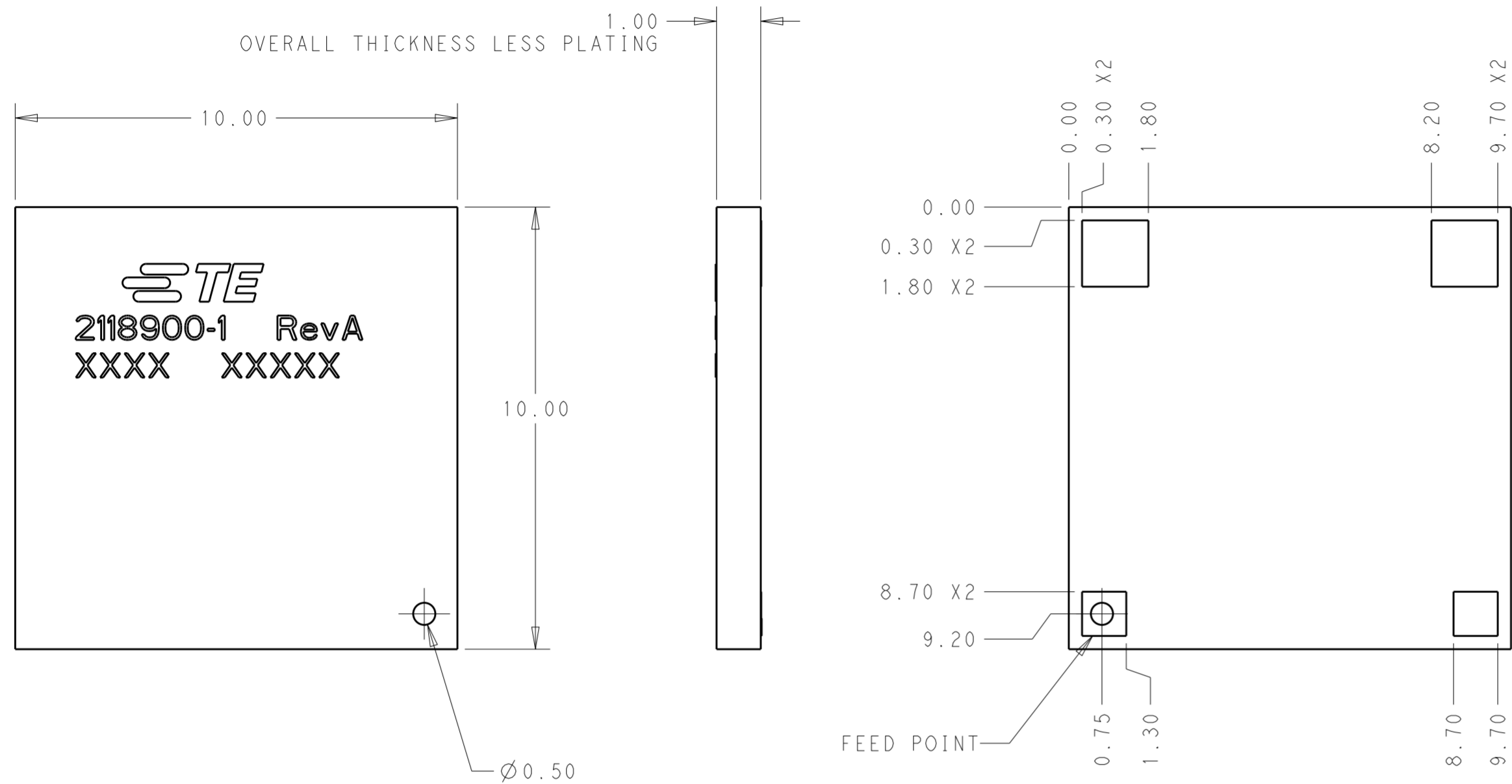


THIS DRAWING IS UNPUBLISHED. RELEASED FOR PUBLICATION
 © COPYRIGHT copyright_date ALL RIGHTS RESERVED.

REVISIONS					
P	LTR	DESCRIPTION	DATE	DWN	APVD
1		INITIAL DRAWING	10AUG2018	AP	JLM
A		PRODUCTION RELEASE	04JAN2019	CR	JLM



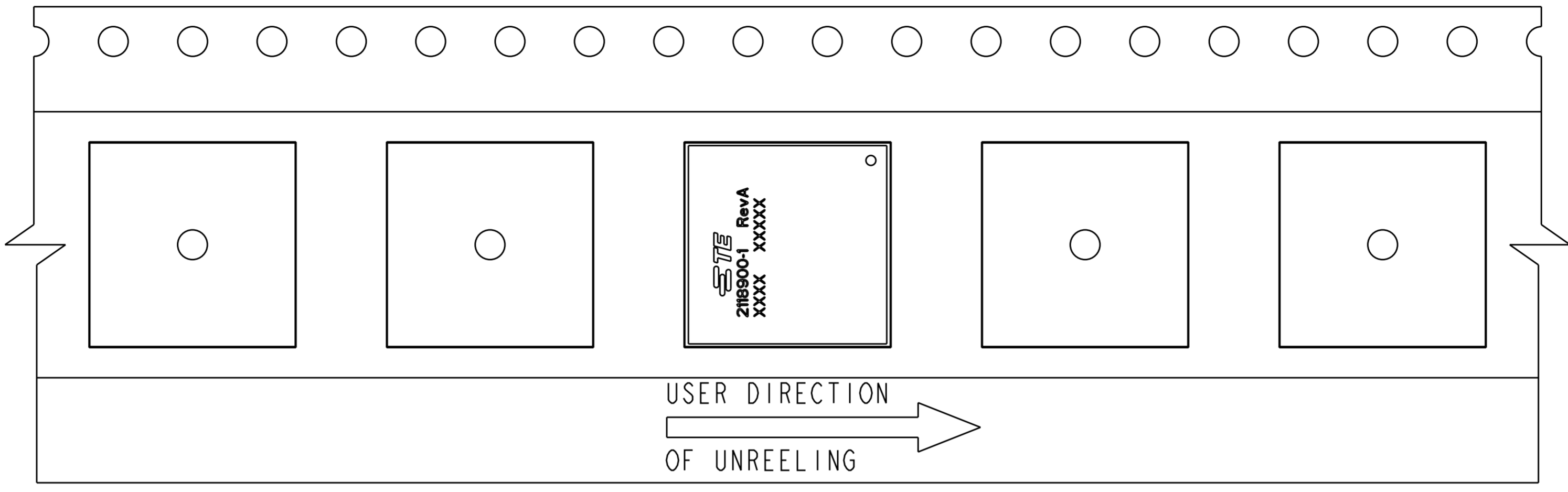
- NOTES: UNLESS OTHERWISE SPECIFIED.
- FABRICATE TO MEET IPC - 6012, CLASS 2. INSPECT TO MEET IPC - A - 600, CLASS 2.
 - PRIMARY AND SECONDARY SIDES SHOWN.
 - MATERIAL : FR4 PCB; 2 COPPER LAYERS
1/2 OZ. COPPER BOTH SIDES.
DIELECTRIC CONSTANT @ 1MHz 4.2 ± 0.1.
 - FINISH:
A: 1/2 Oz COPPER
B: SOLDERMASK OVER BARE COPPER (SMOBC).
C: MASK BOTH SIDES OF PCB WITH LPI SOLDERMASK.
SOLDERMASK COLOR: ORANGE; PANTONE 144C.
D: E.N.I.G. PLATING
 - TWO PLACE TOLERANCES: ±0.15 mm
 - PACKAGING: SINGULATED PARTS TO BE SECURELY SHRINK WRAPPED, BAGGED OR VACUUM PACKED IN BULK FOR TAPE AND REEL, SEE SHEET 2
 - A. ALL MATERIALS PRODUCTS AND PROCESSES MUST MEET REQUIREMENTS OF TE CONNECTIVITY ENVIRONMENTAL STANDARD TEC-138-702 (CONTAINS NO BABBED OR RESTRICTED SUBSTANCES)
B. NO REACH SVHC SHALL BE CONTAINED ABOVE THE TRESHOLD AS DEFINED IN REACH SVHC
C. LOW HALOGEN: CODE2 (BR<900PPM; CI<900PPM; Br+CI<1500PPM) PER HOMOGENEOUS MATERIAL
 - CONSULT TE CONNECTIVITY DATA SHEET DS2118900
 - CONTACT TE CONNECTIVITY ENGINEERING PRIOR TO DESIGNING INTO AN APPLICATION

P/N	DESCRIPTION
2118900-1	TAPE AND REEL PACKAGED (SEE PAGE 2)
2118900-2	VACUUM PACKED, SHRINK WRAPPED OR BAGGED IN BULK

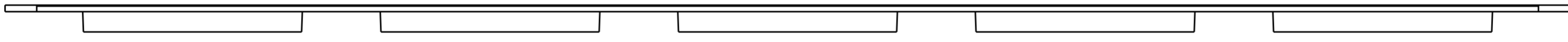
THIS DRAWING IS A CONTROLLED DOCUMENT.		DWN AJITH PAI 10AUG2018	TE Connectivity	
DIMENSIONS: mm		CHK J. MOORE 10AUG2018		
TOLERANCES UNLESS OTHERWISE SPECIFIED:		APVD J. MOORE 10AUG2018	NAME PCB ANTENNA	
0 PLC ± 1 PLC ± 2 PLC ± 3 PLC ± 4 PLC ± ANGLES ± FINISH -		PRODUCT SPEC -	SIZE A2	CAGE CODE -
MATERIAL -		APPLICATION SPEC -	DRAWING NO G-2118900	RESTRICTED TO -
		WEIGHT -	SCALE 9:1 SHEET 1 OF 2 REV A	
		CUSTOMER DRAWING		

THIS DRAWING IS UNPUBLISHED. RELEASED FOR PUBLICATION
 © COPYRIGHT copyright_date ALL RIGHTS RESERVED.

REVISIONS				
P	LTR	DESCRIPTION	DATE	APVD
-		SEE SHEET 1	-	-



2118900-1 PACKAGED AS SHOWN



- PACKAGING NOTES: UNLESS OTHERWISE SPECIFIED.
- REFER TO TE CONNECTIVITY DRAWING NO. C-1533658 (PN: 1533658-1) FOR TAPE AND REEL SPECIFICATIONS.
 - ORIENT PARTS AS SHOWN.
 - PRODUCT AND PROCESSING MEET REQUIREMENTS OF TE CONNECTIVITY ENVIROMENTAL STANDARD TEC-138-702.

THIS DRAWING IS A CONTROLLED DOCUMENT.		DWN 10AUG2018 AJITH PAI	TE Connectivity	
DIMENSIONS: mm		CHK 10AUG2018 J. MOORE		
TOLERANCES UNLESS OTHERWISE SPECIFIED:		APVD 10AUG2018 J. MOORE	NAME PCB ANTENNA	
0 PLC ±		PRODUCT SPEC	SIZE A2	
1 PLC ±		APPLICATION SPEC	CAGE CODE -	
2 PLC ±		WEIGHT -	DRAWING NO C-2118900	
3 PLC ±		CUSTOMER DRAWING	RESTRICTED TO -	
4 PLC ±			SCALE 9:1 SHEET 2 OF 2 REV A	
ANGLES ±				
FINISH -				

单击下面可查看定价，库存，交付和生命周期等信息

[>>TE Connectivity\(泰科\)](#)