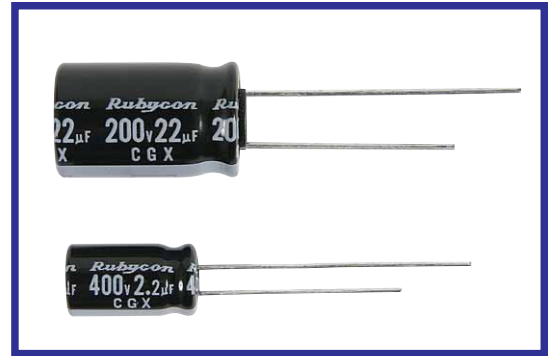
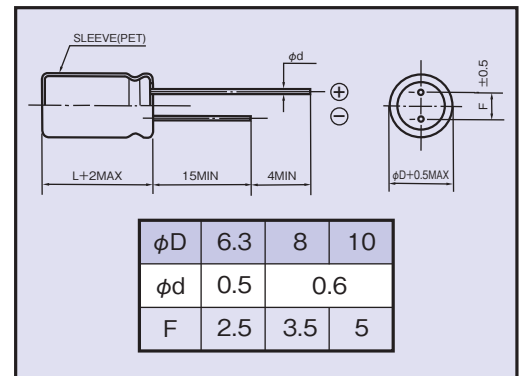


**CGX SERIES**
**Load Life: 105°C 8000hours**

• For LED Lighting.


**◆ SPECIFICATIONS**

Items	Characteristics	
Category Temperature Range	-40~+105°C	
Rated Voltage Range	200, 400Vdc	
Capacitance Tolerance	±20% (20°C, 120Hz)	
Leakage Current(MAX)	CV ≤ 1000	CV > 1000
	I=0.1CV+40µA (1minute) I=0.03CV+15µA (5minutes)	I=0.04CV+100µA (1minute) I=0.02CV+25µA (5minutes)
I=Leakage Current(µA) C=Capacitance(µF) V=Rated Voltage(Vdc)		
Dissipation Factor(MAX) (tan δ)	Rated Voltage (Vdc)	200 400 (20°C, 120Hz)
	tanδ	0.20 0.25
Endurance	After applying voltage with rated ripple current for 8000 hours at 105°C, the capacitors shall meet the following requirement.	
	Capacitance Change	Within ±20% of the initial value.
	Dissipation Factor	Not more than 200% of the specified value.
Leakage Current	Not more than the specified value.	
Low Temperature Stability Impedance Ratio(MAX)	Rated Voltage (Vdc)	200 400 (120Hz)
	Z(-25°C)/Z(20°C)	3 6
	Z(-40°C)/Z(20°C)	8 16

**◆ DIMENSIONS** (mm)

**◆ MULTIPLIER FOR RIPPLE CURRENT**

Frequency (Hz)	120	1k	10k	100k
Coefficient	1.0	1.7	2.2	2.5

**◆ OPTION**

	Code
PET Sleeve	EFC

**◆ STANDARD SIZE**

Size φDXL(mm), Ripple Current (mA r.m.s./105°C)

Rated Voltage (Vdc)	Capacitance (µF)	Size	Ripple	
			120Hz	100kHz
200	4.7	6.3×11	56	140
	5.6	6.3×11	60	150
	6.8	6.3×11	68	170
	8.2	8×11.5	96	240
	10	8×11.5	104	260
	12	8×11.5	112	280
	15	8×16	144	360
		10×12.5	148	370
	18	10×12.5	164	410
	22	10×16	200	500
27	10×16	208	520	

Rated Voltage (Vdc)	Capacitance (µF)	Size	Ripple	
			120Hz	100kHz
400	1.5	6.3×11	36	90
	1.8	6.3×11	38	95
	2.2	6.3×11	40	100
	2.7	8×11.5	60	150
	3.3	8×11.5	64	160
	3.9	8×11.5	68	170
	4.7	8×16	88	220
		10×12.5	92	230
	5.6	10×12.5	100	250
	6.8	10×16	120	300
	8.2	10×16	128	320

**◆ PART NUMBER**

□□□	CGX	□□□□□	M	□□□	□□	D×L
Rated Voltage	Series	Capacitance	Capacitance Tolerance	Option	Lead Forming	Case Size

单击下面可查看定价，库存，交付和生命周期等信息

[>>Rubycon\(红宝石\)](#)