

Product Brief

January 2014
Revision 2.0

NPCP215x Audio Enhancing Engine and Power Amplifier Family








General Description

The Nuvoton NPCP215x device is a member of Nuvoton's Audio Enhancing family optimized for consumer electronics applications.

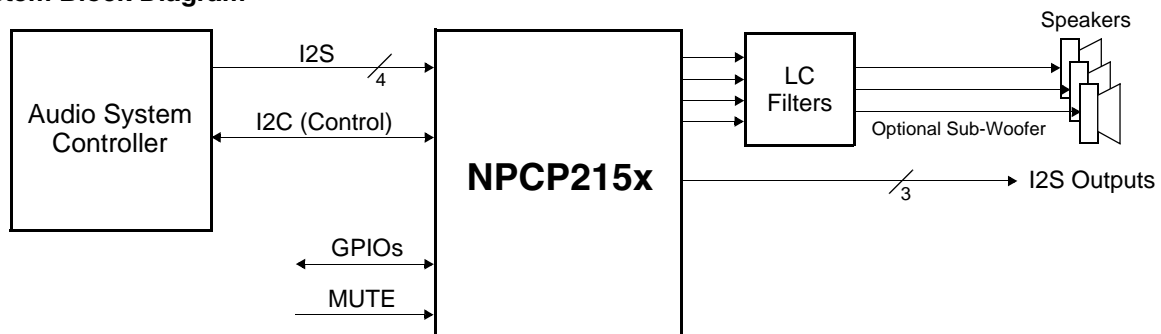
The NPCP215x integrates MaxxAudio-3, an audio enhancement suite of algorithms designed by Waves®

The algorithm suite uses advanced methods, based on psycho-acoustics, to provide a full, rich, exciting and immersive sound, even from slim speakers, limited power amplifiers and other acoustic restrictions that are commonly found in modern consumer electronics devices.

Outstanding Features

- Improves audio quality for low-performance speakers
- System-level BOM savings
- Stereo or Stereo + Sub-woofer operation
- I2C controlled
- 24-bit accuracy
- Audio algorithms
 -  **MAXXBASS**®
 -  **MAXX3D**
 -  **MAXXTREBLE**
 -  **MAXXEQ**
 -  **MAXXVOLUME**®
 -  **MAXXLEVELER**
 -  **MAXXDIALOG**
- Audio input: up to four I2S or Synchronous Serial Interface (SSI) inputs
- Audio output:
 - Up to three I2S or SSI outputs
 - Class-D Power output up to 2 x 20W
 - 2.1 way power output up to 2 x 10W + 20W (internal generation of sub-woofer)
- 100 dB SNR
- Typical power efficiency of 90%
- Various protection sensors
- Several General-Purpose digital signals available to the application (GPIOs)
- Logic supply of 3.3V and Power supply up to 26.4V
- 7 x 7 mm, 48-pin Quad Flat No-Lead (QFN) package

System Block Diagram



Features

Bus Interfaces

- Synchronous Serial Interface (SSI)
 - Compatible with I2S
- I2C Interface
 - Compliant with *I2C-BUS Specification Revision 1.0, 1992*
 - Master or slave interface
 - Supports 7-bit address mode

Audio Enhancing Engine

- Processing Unit
 - 24-bit
 - 125 MIPs

Audio Algorithms

- MaxxBass®
 - Patented Waves MaxxBass psycho-acoustic bass extension delivers a more natural sound than traditional bass boost technologies, which use EQ and can overpower your system. MaxxBass analyzes low frequencies to create harmonics that are perceived as lower, deeper tones.
- Maxx3D
 - Maxx3D extends the span of stereo-side content while maintaining the integrity of unprocessed center content.
 - Maxx3D improves the stereo separation of speakers, widening the stereo field for optimal imaging.
- MaxxTreble
 - MaxxTreble delivers crystal clear high-frequency enhancement for increased RMS without exceeding the system ceiling. Its proprietary algorithm restores luster to over-compressed formats to provide the perfect listening experience.
- MaxxEQ
 - MaxxEQ provides the ability to design EQ curves and shape sound with surgical precision, using up to 20 programmable filters with bell, shelf, low pass, and high pass, plus adjustable frequency, gain, and Q parameters. MaxxEQ's intuitive Graphic User Interface makes click-and-drag filter design fast and easy.
- MaxxVolume®
 - MaxxVolume is an all-in-one volume control, with High-Level Compression to increase RMS levels, Low-Level Compression to increase the clarity of soft sounds, Noise Gating to eliminate signal and system noise, and Leveling to smooth out volume levels.
 - It includes:
 - Leveler - (replaces traditional AGC)
 - Low-level gain
 - Dynamic range curve controller
 - Noise gate

- MaxxLeveler
 - MaxxLeveler regulates the perceived volume of the audio, keeping all audio content at the same level.
- MaxxDialog
 - MaxxDialog is a revolutionary new technology that enables users to adjust center channel dialog levels without affecting the rest of the audio mix. Based on the Waves Center pro audio plug-in, MaxxDialog delivers clear, crisp dialog that does not disappear behind loud music and effects.
- Sub-Woofer
 - Enables separating low-frequency content and directing it into a third audio channel, for driving a sub-woofer.

Power Amplifier

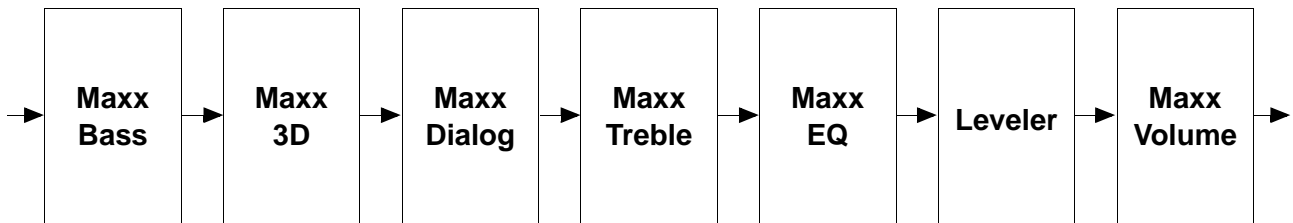
- Class-D Power up to 2 x 20W to 6 Ω or 8 Ω (0.5% THD)
- 2.1 way power output up to 2 x 10W + 20W (internal generation of sub-woofer)
- Typical power efficiency of 90%
- 100 dB SNR
- Less than 0.4% THD at 1W
- Protection:
 - Over-current
 - Under-voltage
 - Over-temperature

Straps, Clocks, Supply and Package Information

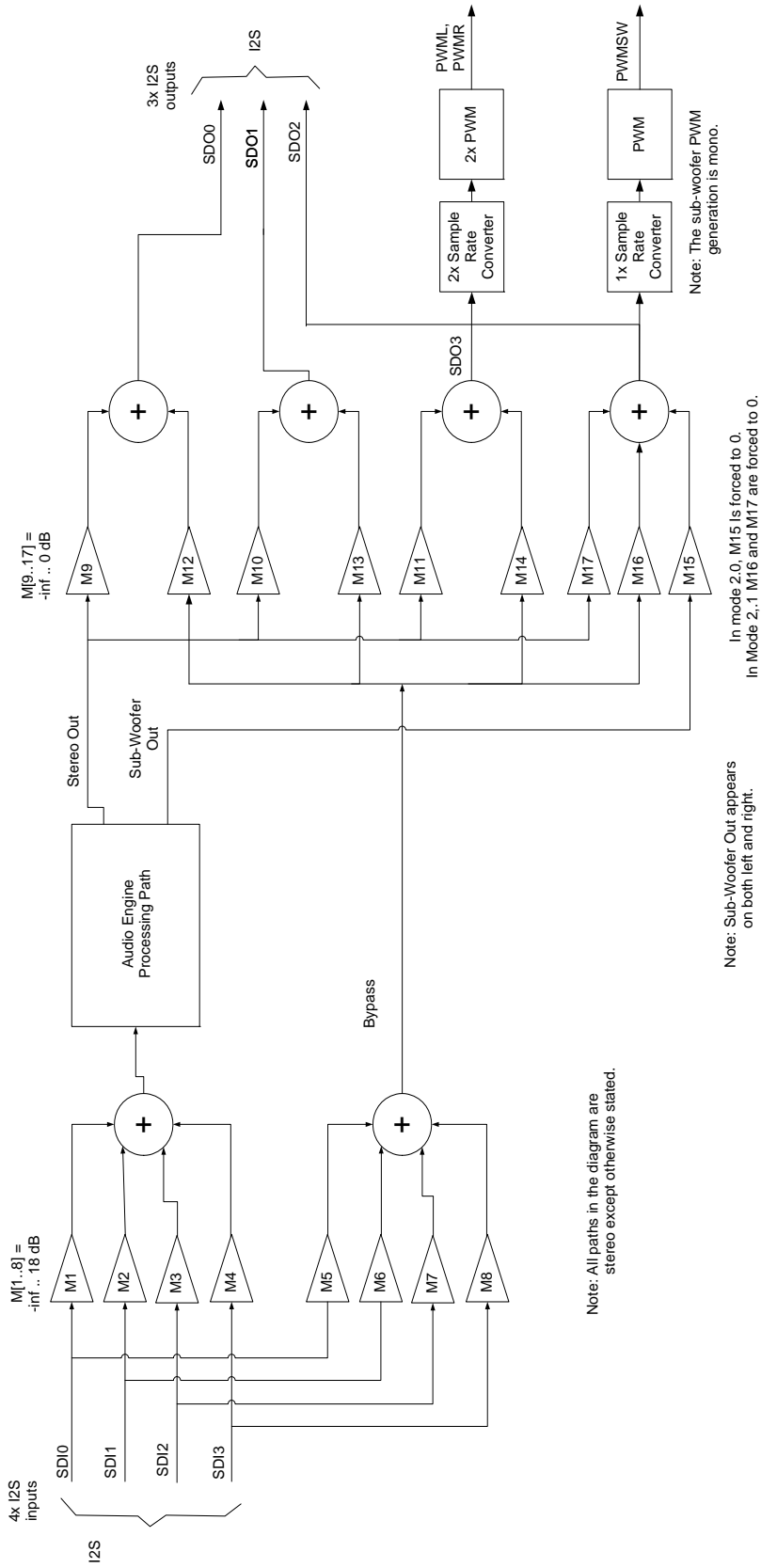
- Strap Input Controlled Operating Modes
 - PLL reference clock select (REF strap)
 - Test mode select (nTEST strap)
 - I2C master or slave select (I2CMS strap)
 - Boot options
 - ROM code operation
 - Loadable algorithms for new functions or ROM code patching
- Input Clocks
 - SSI / I2S clock: 1 MHz - 5 MHz input
 - Optional crystal oscillator or input clock
- Power Supply
 - 3.3V Logic supply
 - 9V to 26.4V Power supply
- Power-Save Modes
 - Power-down of less than 100 mW
 - Power stage shut down
- Package
 - 7 x 7 mm, 48-pin Quad Flat No-Lead (QFN) package

Features (Continued)**Derivative Table**

Product	ID	Package	I2S Stereo Inputs	Output Power	Algorithms						
					Maxx Bass	Maxx EQ	Maxx Treble	Maxx Volume	Maxx Leveler	Maxx 3D & Maxx Dialog	Sub-Woofers Support
NPCP215F	0011	QFN48	4	2x20W or 2x10W + 20W	◆	◆	◆	◆	◆	◆	◆
NPCP215B	0010	QFN48	4	2x20W or 2x10W + 20W	◆	◆		◆			

Algorithm Processing Chain

Features (Continued)



Note: All paths in the diagram are stereo except otherwise stated.

Note: Sub-Woof Out appears on both left and right.

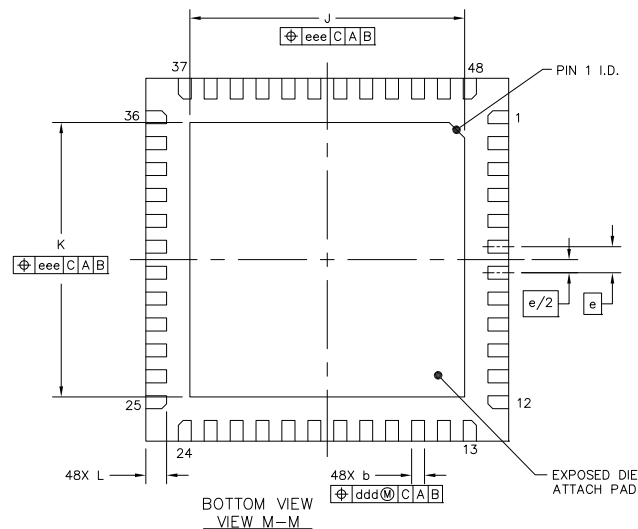
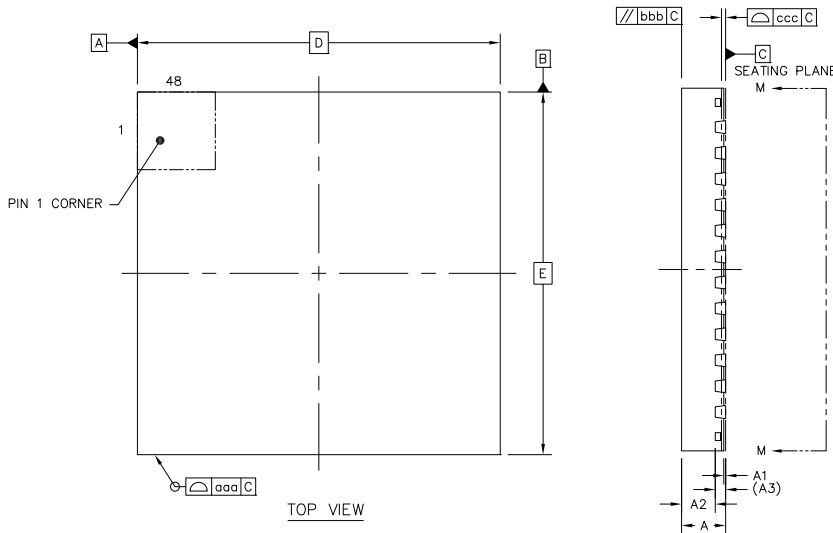
In mode 2.0, M15 is forced to 0.
In Mode 2.1 M16 and M17 are forced to 0.

Note: The sub-woofer PWM generation is mono.

Device Audio Path Block Diagram

QFN48 Physical Dimensions

Control dimensions are in millimeters.



	SYMBOL	MIN	NOM	MAX
TOTAL THICKNESS	A	0.7	0.75	0.8
STAND OFF	A1	0	0.035	0.05
MOLD THICKNESS	A2	---	0.55	0.57
L/F THICKNESS	A3		0.203 REF	
LEAD WIDTH	b	0.2	0.25	0.3
BODY SIZE	X	D		
	Y	E		
LEAD PITCH	e	0.5 BSC		
EP SIZE	X	J	5.2	5.3
	Y	K	5.2	5.3
LEAD LENGTH	L	0.35	0.4	0.45
PACKAGE EDGE TOLERANCE	aaa	0.1		
MOLD FLATNESS	bbb	0.1		
COPLANARITY	ccc	0.08		
LEAD OFFSET	ddd	0.1		
EXPOSED PAD OFFSET	eee	0.1		

NOTES

1.0 COPLANARITY APPLIES TO LEADS, CORNER LEADS AND DIE ATTACH PAD.

48-Pin Quad Flat No-Lead (QFN) Package Order Number: NPCP215BA0YX or NPCP215FA0YX

Device topside mark specification:

- 1st Line:** Nuvoton Company Logo.
 - 2nd Line:** Part number - NPCP215xA0YX (x is B or F)
(*'Y': QFN package number; 'X': Green package finish indicator.)
 - 3rd Line:** Assembly Lot Number - XXXXXXXX-XXX.
 - 4th Line:** Tracking code - YWWXXXX, where YWW is the Date Code and XXXX is Nuvoton proprietary information.
- Date code:** YWW, where Y is the year and WW is the week. For example, date code 235 indicates that device assembly was done on week 35, year 2012.



Important Notice

Nuvoton products are not designed, intended, authorized or warranted for use as components in systems or equipment intended for surgical implantation, atomic energy control instruments, airplane or spaceship instruments, transportation instruments, traffic signal instruments, combustion control instruments, or for other applications intended to support or sustain life. Furthermore, Nuvoton products are not intended for applications wherein failure of Nuvoton products could result or lead to a situation wherein personal injury, death or severe property or environmental damage could occur.

Nuvoton customers using or selling these products for use in such applications do so at their own risk and agree to fully indemnify Nuvoton for any damages resulting from such improper use or sales.

Headquarters

No. 4, Creation Rd. 3,
Science-Based Industrial Park,
Hsinchu, Taiwan, R.O.C
TEL: 886-3-5770066
FAX: 886-3-5665577
<http://www.nuvoton.com.tw> (Chinese)
<http://www.nuvoton.com> (English)

Nuvoton Technology Corporation America

2727 North First Street,
San Jose, CA 95134, U.S.A.
TEL: 1-408-544-1718
FAX: 1-408-544-1787

Nuvoton Technology (Shanghai) Ltd.

27F, 2299 Yan An W. Rd.
Shanghai, 200336 China
TEL: 86-21-62365999
FAX: 86-21-62365998

Taipei Office

9F, No.480, Rueiguang Rd.,
Neihu District, Taipei, 114,
Taiwan, R.O.C.
TEL: 886-2-2658-8066
FAX: 886-2-8751-3579

Winbond Electronics Corporation Japan

NO. 2 Ueno-Bldg., 7-18, 3-chome
Shinyokohama Kohoku-ku,
Yokohama, 222-0033
TEL: 81-45-4781881
FAX: 81-45-4781800

Nuvoton Technology (H.K.) Ltd.

Unit 9-15, 22F, Millennium City 2,
378 Kwun Tong Rd.,
Kowloon, Hong Kong
TEL: 852-27513100
FAX: 852-27552064

For Advanced PC Product Line information contact: APC.Support@nuvoton.com

Please note that all data and specifications are subject to change without notice.

All trademarks of products and companies mentioned in this document belong to their respective owners.

单击下面可查看定价，库存，交付和生命周期等信息

[>>Nuvoton](#)