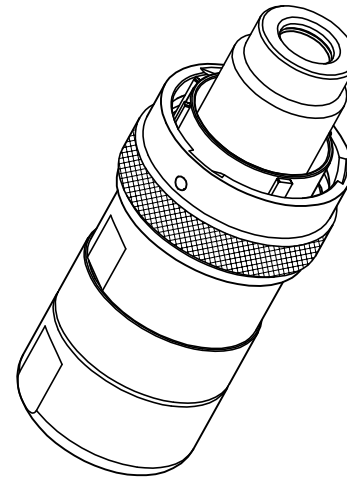
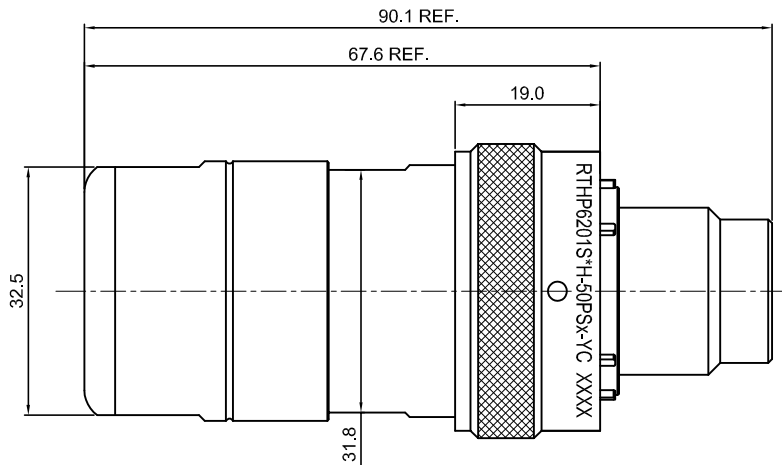
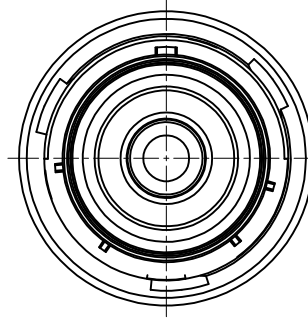
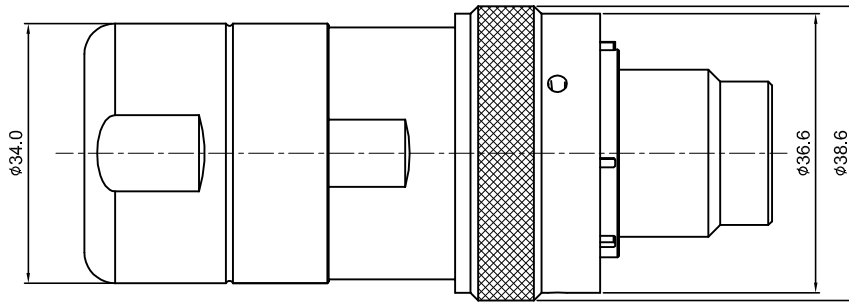


REVISIONS					
REV	ECO	DESCRIPTION	DATE	BY	APPR
B1	-	RELEASE NEW DWG FORMAT	2018/4/23	FLAN	TOMMY



NOTES:

- MATERIAL:**
 - HOUSING BODY: ZINC DIE-CAST, NICKEL PLATED
 - COUPLING NUT: AL ALLOY, NICKEL PLATED
 - INSULATION INSERT: PA66,UL94 V0
 - SEAL: SILICONE RUBBER
- SPECIFICATIONS:**
 - VOLTAGE RATING: 630 V AC/DC
 - OPERATING TEMPERATURE: -40°C TO +125°C
 - DIELECTRIC WITHSTANDING VOLTAGE: LESS THAN 2 MILLIAMPS CURRENT IEAKAGE @ 5000 VOLTS AC
 - DEGREE OF PROTECTION: IP67 (MATED CONDITION)
 - DEGREE OF POLLUTION: 3 PER UL840
 - OVERVOLTAGE CATEGORY: III PER UL840
 - MATING CYCLE DURABILITY: >100 CYCLES
 - RoHS COMPLIANT
- ALL DIMENSIONS ARE FOR REFERENCE USE ONLY.
- **# DENOTE KEY POSITION OF "N", "W", "X", "Y" OR "Z".
- CONTACT P/N: WITHOUT CONTACT

KEY POS	PART NO.	Cable OD Range
N	RTHP6201SNH-50PS1-YC	13.5~14.0 mm
W	RTHP6201SWH-50PS1-YC	
X	RTHP6201SXH-50PS1-YC	
Y	RTHP6201SYH-50PS1-YC	
Z	RTHP6201SZH-50PS1-YC	

KEY POS	PART NO.	Cable OD Range
N	RTHP6201SNH-50PS2-YC	16.0~17.0 mm
W	RTHP6201SWH-50PS2-YC	
X	RTHP6201SXH-50PS2-YC	
Y	RTHP6201SYH-50PS2-YC	
Z	RTHP6201SZH-50PS2-YC	

QUANTITY	SEE PART NUMBER CHART	DESCRIPTION	ITEM
MATERIALS LIST			
UNLESS OTHERWISE SPECIFIED		SIGNATURES DATE	
1) All dimensions are in metric (mm).		DRAWN: Flan	2018-4-23
2) Tolerances are as follows:		CHECKED: Tod	2018-4-23
1 PL DEC ±0.30		ENGINEER:	
2 PL DEC ±0.15		APPROVAL: Tommy	2018-4-23
3 PL DEC ±0.08		CUSTOMER:	
3) Note reference =		THIS DRAWING IS SUPPLIED FOR INFORMATION ONLY. DESIGN FEATURES, SPECIFICATIONS AND PERFORMANCE DATA SHOWN HEREON ARE THE PROPERTY OF THE AMPHENOL CORPORATION. NO RIGHTS OF REPRODUCTION ARE IMPLIED. ALL DIMENSIONS ARE SUBJECT TO NORMAL MANUFACTURING VARIATIONS.	
PROCESS SPECIFICATIONS:		SIZE	TYPE
NEXT ASSY:		B	C-
		DWG NO:	REVISION
		RTHP6201S*H-50PSx-YC	B1
		SCALE: 3 : 2	SHEET 1 OF 1

Amphenol

Sine Systems - www.amphenol-sine.com
44724 Morley Drive
Clinton Township, MI 48036

ECO-MATE, PLUG, 10mm RADSOK, CRIMP TYPE, SHIELDING, CORD GRIP, WITHOUT CONTACT

TTL ECO-MATE, PLUG, 10mm RADSOK, CRIMP TYPE, SHIELDING, CORD GRIP, WITHOUT CONTACT DWG No.: RTHP6201S*H-50PSx-YC REV: B1 SH: 1 OF: 1

单击下面可查看定价，库存，交付和生命周期等信息

[>>Amphenol\(安费诺\)](#)