

**DATA SHEET**


# AS179-92LF: 20 MHz to 4.0 GHz GaAs SPDT Switch

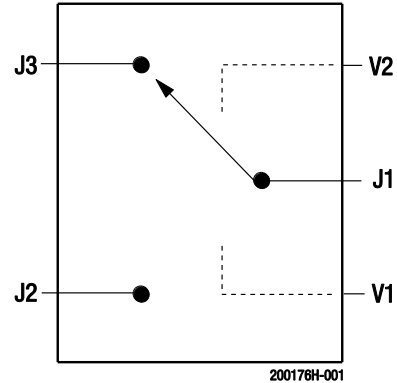
## Applications

- General purpose medium-power switches in telecommunication applications
- Transmit/receive switches in 802.11 b/g WLAN Bluetooth® systems

## Features

- IP1dB = +30 dBm typical @ 3 V
- IP3 = +43 dBm typical @ 3 V
- Low insertion loss, 0.3 dB @ 0.9 GHz
- Low DC power consumption
- Ultra-miniature, SC-70 (6-pin, 2.00 x 1.25 mm) package (MSL1, 260 °C per JEDEC J-STD-020)

 Skyworks Green™ products are compliant with all applicable legislation and are halogen-free. For additional information, refer to *Skyworks Definition of Green™*, document number SQ04-0074.

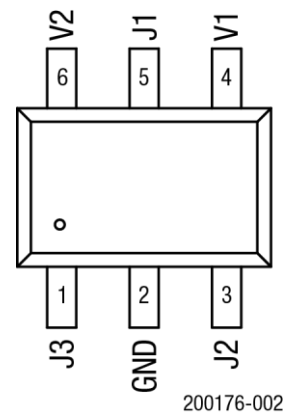


**Figure 1. AS179-92LF Block Diagram**

## Description

The AS179-92LF is a pHEMT GaAs FET single-pole, double-throw (SPDT) switch. The device features low insertion loss and positive voltage operation with very low DC power consumption. The AS179-92LF is manufactured in a compact, low-cost 2.00 x 1.25 mm, 6-pin SC-70 package.

A functional block diagram is shown in Figure 1. The pin configuration and package are shown in Figure 2. Signal pin assignments and functional pin descriptions are provided in Table 1.



**Figure 2. AS179-92LF Pinout (Top View)**

**Table 1. AS179-92LF Signal Descriptions<sup>1</sup>**

Pin	Name	Description	Pin	Name	Description
1	J3	RF output (Note 1)	4	V1	DC control voltage
2	GND	Ground	5	J1	RF output (Note 1)
3	J2	RF output (Note 1)	6	V2	DC control voltage

<sup>1</sup> A 100 pF blocking capacitor is required for >500 MHz operation. Use larger value capacitors for lower frequency operation.

## Electrical and Mechanical Specifications

The absolute maximum ratings of the AS179-92LF are provided in Table 2. Electrical specifications are provided in Table 3. Typical performance characteristics are shown in Figures 3, 4, and 5.

**Table 2. AS179-92LF Absolute Maximum Ratings<sup>1</sup>**

Parameter	Symbol	Minimum	Maximum	Units
Control voltage	V <sub>CTL</sub>	-1.2	+8.0	V
RF input power (V <sub>CTL</sub> = 0 to 7 V): >500 MHz <500 MHz			6 500	W mW
Operating temperature	T <sub>OP</sub>	-40	+85	°C
Operating temperature (Pinmax < +32 dBm for T <sub>OP</sub> = 105 °C)	T <sub>OP</sub>	-40	+105	°C
Storage temperature	T <sub>STG</sub>	-65	+150	°C

<sup>1</sup> Exposure to maximum rating conditions for extended periods may reduce device reliability. There is no damage to device with only one parameter set at the limit and all other parameters set at or below their nominal value.

**CAUTION:** Industry-standard ESD handling precautions must be adhered to at all times to avoid damage to this device.

**Table 3. AS179-92LF Electrical Specifications<sup>1</sup> (1 of 2)**  
(V<sub>CTL</sub> = 0 to 3 V, T<sub>OP</sub> = +25 °C, Characteristic Impedance = 50 Ω, Unless Otherwise Noted)

Parameter	Symbol	Test Condition	Min	Typical	Max	Units
Insertion loss <sup>2,3</sup>	IL	0.02 to 1.0 GHz		0.3	0.4	dB
		1.0 to 2.0 GHz		0.4	0.5	dB
		2.0 to 3.0 GHz		0.4	0.6	dB
		3.0 to 4.0 GHz		0.5	0.7	dB
Isolation <sup>3</sup>	ISO	0.02 to 1.0 GHz	22	25		dB
		1.0 to 2.0 GHz	22	25		dB
		2.0 to 3.0 GHz	20	23		dB
Return loss <sup>3,4</sup>	RL	0.02 to 1.0 GHz	15		20	dB
		1.0 to 2.0 GHz	15		20	dB
		2.0 to 3.0 GHz	14		17	dB
		3.0 to 4.0 GHz	13		15	dB
Switching characteristics: Rise/fall On/off Video feedthrough		10/90% or 90/10% RF		10		ns
		50% control to 90/10% RF		100		ns
		t <sub>r</sub> = 1 ns, bandwidth = 500 MHz		25		mV

**Table 3. AS179-92LF Electrical Specifications<sup>1</sup> (2 of 2)**  
**(V<sub>CTL</sub> = 0 to 3 V, T<sub>OP</sub> = +25 °C, Characteristic Impedance = 50 Ω, Unless Otherwise Noted)**

Parameter	Symbol	Test Condition	Min	Typical	Max	Units
1 dB input compression point	IP1dB	@ 0.5 to 3.0 GHz V <sub>CTL</sub> = 0 to 2 V		+26		dBm
		V <sub>CTL</sub> = 0 to 3 V		+30		dBm
		V <sub>CTL</sub> = 0 to 5 V		+34		dBm
		@ 48 MHz V <sub>CTL</sub> = 0 to 3 V		+28.9		dBm
		V <sub>CTL</sub> = 0 to 5 V		+29.5		dBm
		@ 3.0 to 4.0 GHz V <sub>CTL</sub> = 0 to 3 V		+29		dBm
		V <sub>CTL</sub> = 0 to 5 V		+32		dBm
Third order intercept point	IP3	+5 dBm two-tone input power @ 0.5 to 3.0 GHz V <sub>CTL</sub> = 0 to 2 V		+43		dBm
		V <sub>CTL</sub> = 0 to 3 V		+43		dBm
		V <sub>CTL</sub> = 0 to 5 V		+50		dBm
		+5 dBm two-tone input power @3.0 to 4.0 GHz V <sub>CTL</sub> = 5 V		+45		dBm
Thermal resistance				25		°C/W
Control voltage: Low (@ 20 μA max) High (@100 μA max) High (@ 200 μA max)	V <sub>CTL_L</sub>		0		0.2	V
	V <sub>CTL_H</sub>				2.0	V
	V <sub>CTL_H</sub>				5.0	V

<sup>1</sup> Performance is guaranteed only under the conditions listed in this table.

<sup>2</sup> Insertion loss changes by 0.003 dB/°C.

<sup>3</sup> Typical performance maintained with V<sub>CTL</sub> = 0.2 V.

<sup>4</sup> Insertion loss state.

### Typical Performance Characteristics

(V<sub>CTL</sub> = 0 to 3 V, T<sub>OP</sub> = +25 °C, P<sub>IN</sub> = 0 dBm, Characteristic Impedance [Z<sub>o</sub>] = 50 Ω, C<sub>B</sub>L = 100 pF, Unless Otherwise Noted)

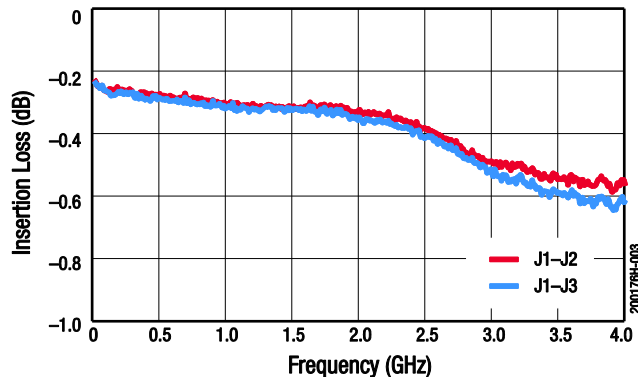


Figure 3. Insertion Loss vs Frequency

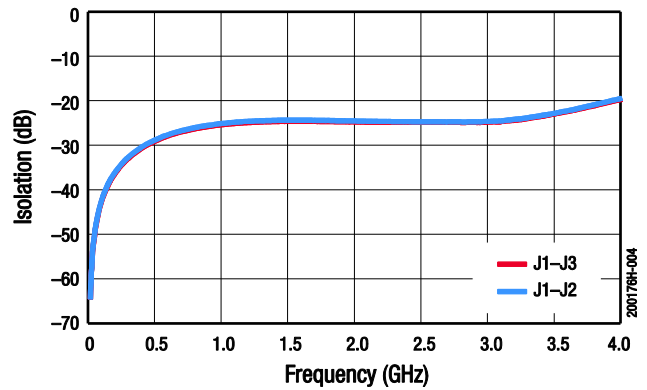


Figure 4. Isolation vs Frequency

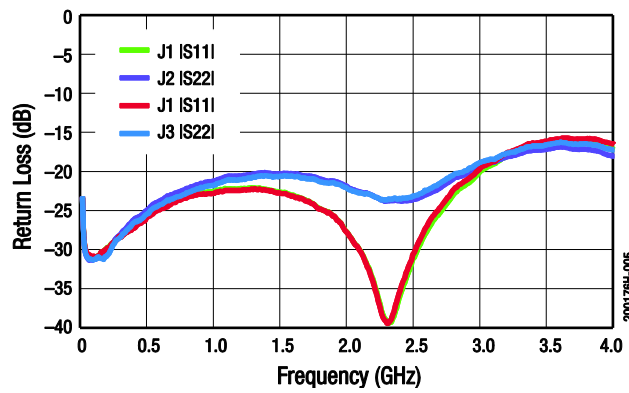


Figure 5. Return Loss vs Frequency

**Table 4. Truth Table (V<sub>HIGH</sub> = 2 to 5 V)<sup>1</sup>**

V1	V2	J1-J2	J1-J3
V <sub>HIGH</sub>	0	Isolation	Insertion loss
0	V <sub>HIGH</sub>	Insertion loss	Isolation

<sup>1</sup> Any state other than described in this table places the device in an undefined state. An undefined state does not damage the device.

### Evaluation Board Description

The AS179-92LF Evaluation Board is used to test the performance of the AS179-92LF SPDT switch. An Evaluation Board schematic diagram is provided in Figure 6. An assembly drawing for the Evaluation Board is shown in Figure 7.

### Package Dimensions

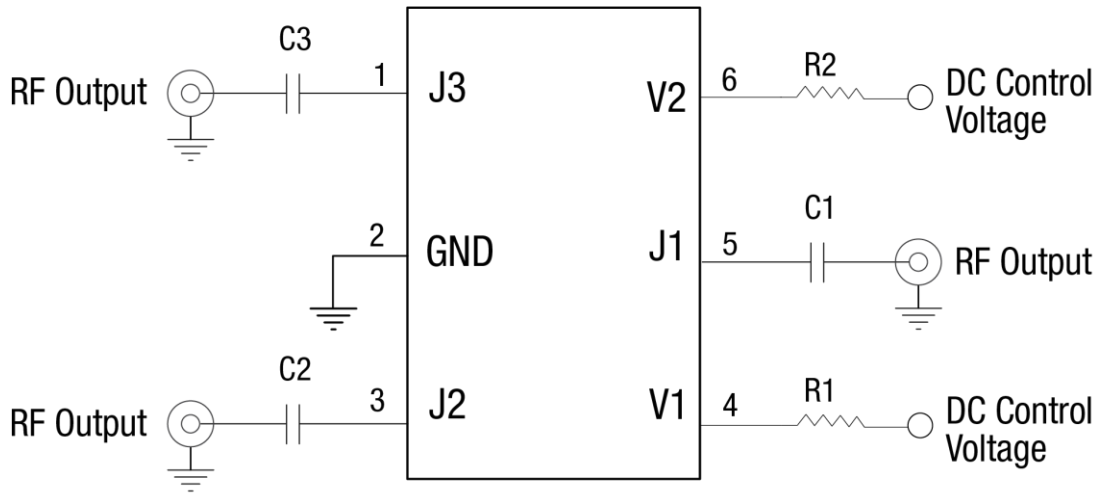
Package dimensions are shown in Figure 8, and tape and reel dimensions are provided in Figure 9.

### Package and Handling Information

Instructions on the shipping container label regarding exposure to moisture after the container seal is broken must be followed. Otherwise, problems related to moisture absorption may occur when the part is subjected to high temperature during solder assembly.

The AS179-92LF is rated to Moisture Sensitivity Level 1 (MSL1) at 260 °C. It can be used for lead or lead-free soldering.

Care must be taken when attaching this product, whether it is done manually or in a production solder reflow environment. Production quantities of this product are shipped in a standard tape and reel format.



Note: Use 100 pF blocking capacitors (C1, C2, C3) for >500 MHz operation. Higher values recommended for lower frequency operation. Exposed paddle must be grounded.

Use 10 nF blocking capacitors (C1, C2, C3) for <50 MHz operation.

Use 0 Ohm for R1, R2.

200176-006

Figure 6. AS179-92LF Evaluation Board Schematic

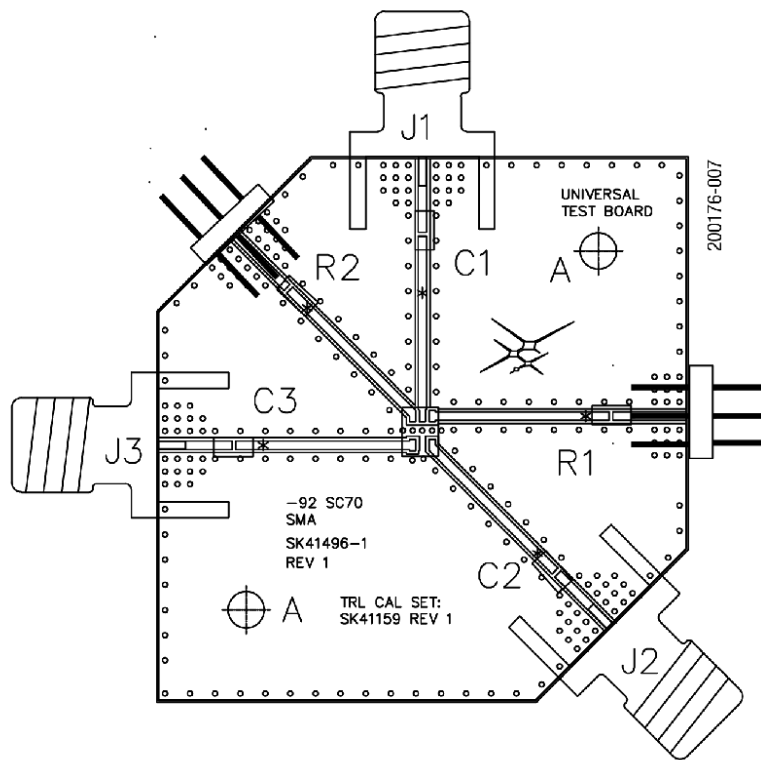
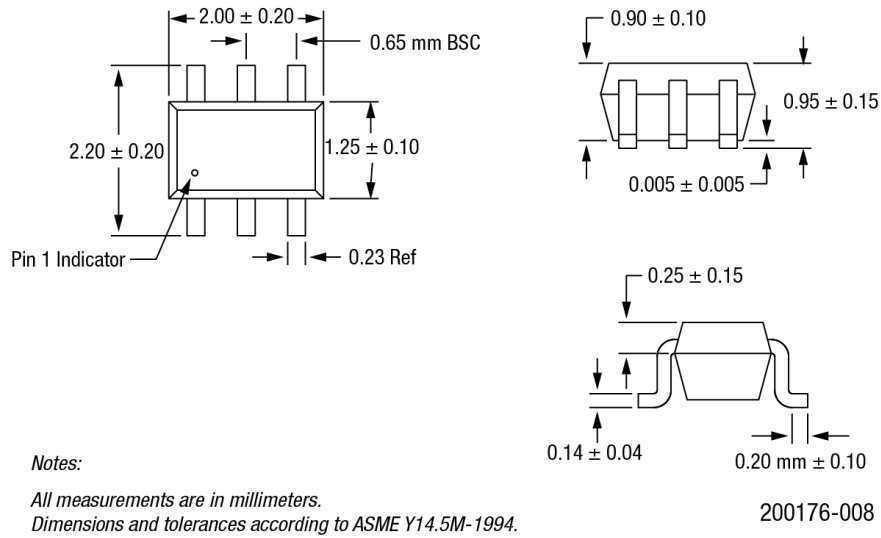
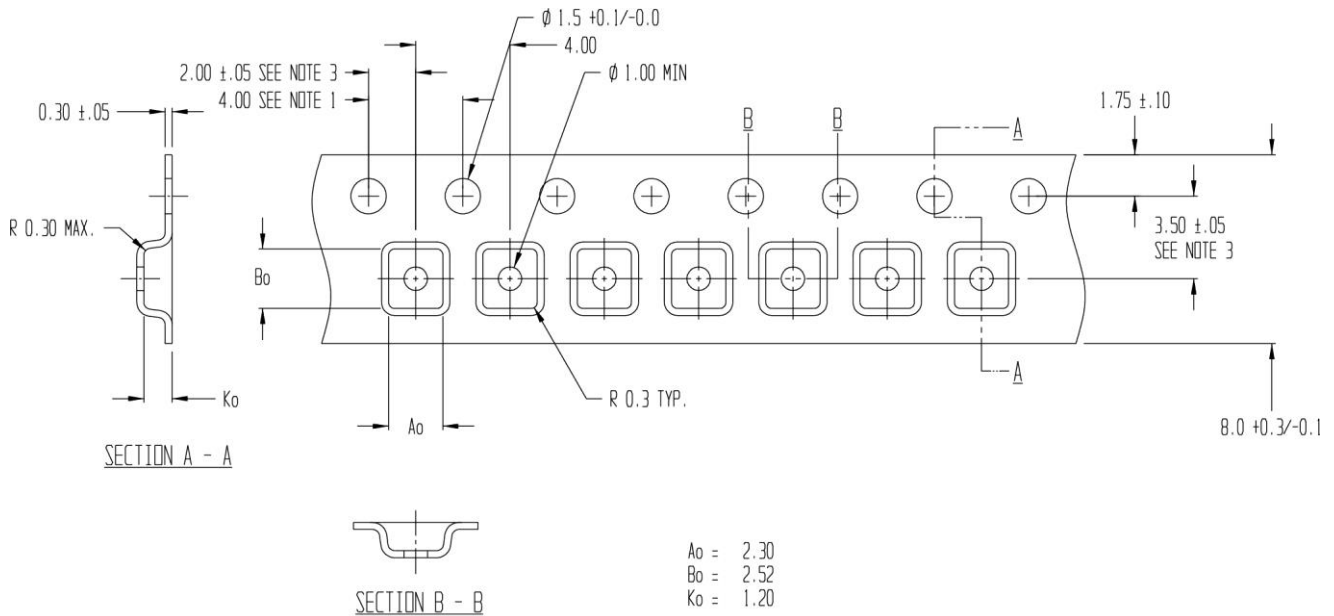


Figure 7. AS179-92LF Evaluation Board Assembly Diagram

**DATA SHEET • AS179-92LF: SPDT SWITCH**



**Figure 8. AS179-92LF Package Dimensions**



**Figure 9. AS179-92LF Tape and Reel Dimensions**

## Ordering Information

Model Name	Manufacturing Part Number	Evaluation Board Part Number
AS179-92LF: SPDT Switch	AS179-92LF	AS179-92LF-EVB

Copyright © 2008-2010, 2015-2022 Skyworks Solutions, Inc. All Rights Reserved.

Information in this document is provided in connection with Skyworks Solutions, Inc. (“Skyworks”) products or services. These materials, including the information contained herein, are provided by Skyworks as a service to its customers and may be used for informational purposes only by the customer. Skyworks assumes no responsibility for errors or omissions in these materials or the information contained herein. Skyworks may change its documentation, products, services, specifications or product descriptions at any time, without notice. Skyworks makes no commitment to update the materials or information and shall have no responsibility whatsoever for conflicts, incompatibilities, or other difficulties arising from any future changes.

No license, whether express, implied, by estoppel or otherwise, is granted to any intellectual property rights by this document. Skyworks assumes no liability for any materials, products or information provided hereunder, including the sale, distribution, reproduction or use of Skyworks products, information or materials, except as may be provided in Skyworks’ Terms and Conditions of Sale.

THE MATERIALS, PRODUCTS AND INFORMATION ARE PROVIDED “AS IS” WITHOUT WARRANTY OF ANY KIND, WHETHER EXPRESS, IMPLIED, STATUTORY, OR OTHERWISE, INCLUDING FITNESS FOR A PARTICULAR PURPOSE OR USE, MERCHANTABILITY, PERFORMANCE, QUALITY OR NON-INFRINGEMENT OF ANY INTELLECTUAL PROPERTY RIGHT; ALL SUCH WARRANTIES ARE HEREBY EXPRESSLY DISCLAIMED. SKYWORKS DOES NOT WARRANT THE ACCURACY OR COMPLETENESS OF THE INFORMATION, TEXT, GRAPHICS OR OTHER ITEMS CONTAINED WITHIN THESE MATERIALS. SKYWORKS SHALL NOT BE LIABLE FOR ANY DAMAGES, INCLUDING BUT NOT LIMITED TO ANY SPECIAL, INDIRECT, INCIDENTAL, STATUTORY, OR CONSEQUENTIAL DAMAGES, INCLUDING WITHOUT LIMITATION, LOST REVENUES OR LOST PROFITS THAT MAY RESULT FROM THE USE OF THE MATERIALS OR INFORMATION, WHETHER OR NOT THE RECIPIENT OF MATERIALS HAS BEEN ADVISED OF THE POSSIBILITY OF SUCH DAMAGE.

Skyworks products are not intended for use in medical, lifesaving or life-sustaining applications, or other equipment in which the failure of the Skyworks products could lead to personal injury, death, physical or environmental damage. Skyworks customers using or selling Skyworks products for use in such applications do so at their own risk and agree to fully indemnify Skyworks for any damages resulting from such improper use or sale.

Customers are responsible for their products and applications using Skyworks products, which may deviate from published specifications as a result of design defects, errors, or operation of products outside of published parameters or design specifications. Customers should include design and operating safeguards to minimize these and other risks. Skyworks assumes no liability for applications assistance, customer product design, or damage to any equipment resulting from the use of Skyworks products outside of Skyworks’ published specifications or parameters.

Skyworks, the Skyworks symbol, Sky5®, SkyOne®, SkyBlue™, Skyworks Green™, Clockbuilder®, DSPLL®, ISOmodem®, ProSLIC®, and SiPHY® are trademarks or registered trademarks of Skyworks Solutions, Inc. or its subsidiaries in the United States and other countries. Third-party brands and names are for identification purposes only and are the property of their respective owners. Additional information, including relevant terms and conditions, posted at [www.skyworksinc.com](http://www.skyworksinc.com), are incorporated by reference.



单击下面可查看定价，库存，交付和生命周期等信息

[>>Skyworks\(思佳讯\)](#)