

## Data Sheet

**Customer:**

**Product:** TO-220 Power Resistor – TR50 Series

**Sizes.:** 50W

**Issued Date:** 11-Oct-22

**Edition:** REV.B3



VIKING TECH CORPORATION  
光頤科技股份有限公司  
No.70, Guangfu N. Rd., Hukou  
Township, Hsinchu County  
303, Taiwan (R.O.C)

TEL:886-3-5972931  
FAX:886-3-5972935•886-3-5973494  
E-mail:sales@viking.com.tw

VIKING TECH CORPORATION KAOHSIUNG BRANCH  
光頤科技股份有限公司高雄分公司  
No.248-3, Sin-Sheng Rd., Cian-Jhen Dist., Kaohsiung,  
806, Taiwan

TEL:886-7-8217999  
FAX:886-7-8228229  
E-mail:sales@viking.com.tw

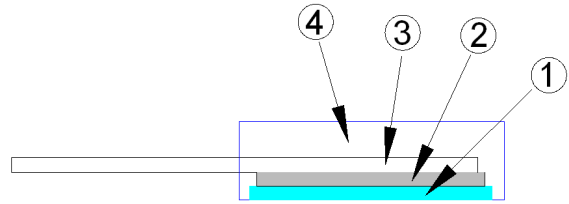
VIKING ELECTRONICS (WUXI) CO., LTD.  
光頤電子(無錫)有限公司  
No.22 Xixia Road, Machinery & Industry Park,  
National Hi-Tech Industrial Development Zone  
of Wuxi, Wuxi, Jiangsu Province, China  
Zip Code:214028  
TEL:86-510-85203339  
FAX:86-510-85203667•86-510-85203977  
E-mail:china@viking.com.tw

Produced by (QC)	Checked (QC)	Approved by (QC)	Prepared by (Sales)	Accepted by (Customer)
11-Oct-22	11-Oct-22	11-Oct-22		
<i>Mandy Chen</i>	<i>Ben Chang</i>	<i>Ben Chang</i>		

**TO-220 Power Resistor  
TO-220 Power Resistor**



**Construction**



① Alumina Substrate	③ Lead
② Resistor Layer	④ Molding

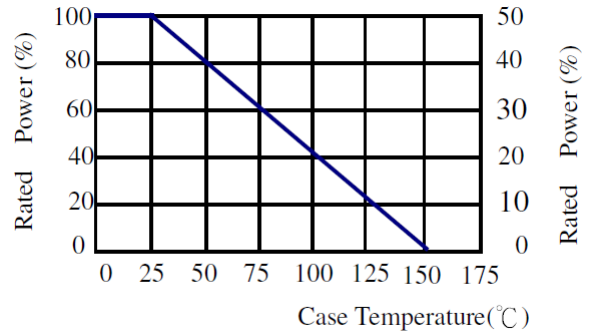
**Features**

- 50 watts at 25°C case temperature heat sink mounted
- TO-220 style power package
- Single screw mounting to heat sink
- Molded case for protection and easy to mount
- Electrically isolated case
- Non-Inductive design

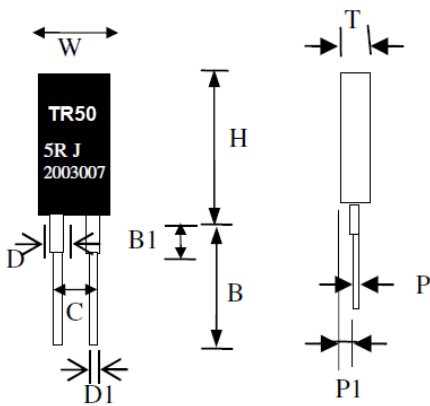
**Applications**

- Gate Resistors in Power Supplies
- Snubbers
- Load and Dumping in Resistors in CRT Monitors
- Automated Machine Controller
- Terminal Resistance in RF Power Amplifiers
- Voltage Regulation
- Low Energy Pulse Loading
- UPS

**Derating Curve**



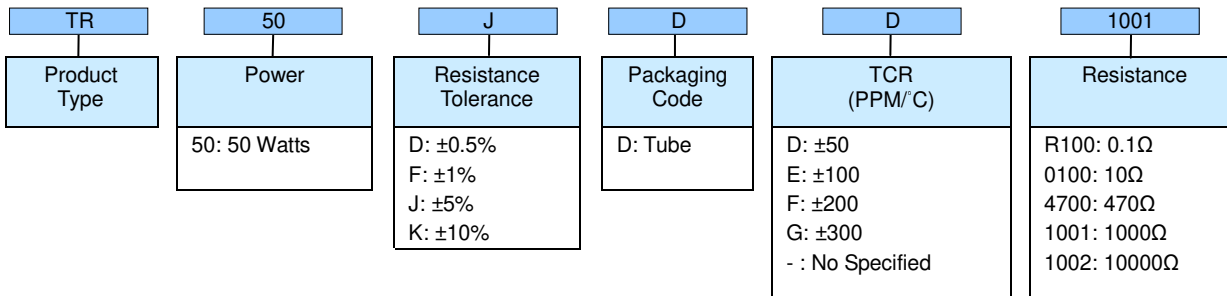
**Dimensions**



Type	W (mm)	H (mm)	B (mm)	B1 (mm)	C (mm)	D (mm)	D1 (mm)	T (mm)	P (mm)	P1 (mm)	Weight (g) (1000pcs)	Packaging
												Tube
TR50	10.41 ±0.26	16.26 ±0.26	12.70 ±1.27	3.3 ±0.76	5.08 ±0.26	1.27 ±0.13	0.8 ±0.15	3.18 ±0.26	0.50 ±0.10	1.78 ±0.26	1290	50pcs

**TO-220 Power Resistor**

**Part Numbering**



**Electrical Characteristics Specifications**

Type	Item	Resistance Range				TCR (PPM/°C)
		±0.5%	±1%	±5%	±10%	
TR50		-	-	0.05Ω - 0.1Ω		No Specified
				≥ 0.1Ω - 1Ω		No Specified
		-		≥ 1Ω - 5Ω		±100 ±200 ±300
				≥ 5Ω - 10Ω		±100 ±200 ±300
				≥ 10Ω - 100KΩ		±50 ±100 ±200

- Operating Voltage: 350V Max.
- Dielectric Strength: 1800VAC
- Insulation Resistance: 10GΩ min.
- Operating Temperature Range: -65°C to +150°C

**Environmental Characteristics**

Item	Requirement	Test Method
Temperature Coefficient of Resistance (T.C.R.)	As Spec.	Referenced to 25°C, ΔR taken at +105°C
Short Time Overload	ΔR±0.3%	2 times rated power with applied voltage not to exceed 1.5 times maximum continuous operating voltage for 5 seconds
Load Life	ΔR±1.0%	2,000 hours at rated power
Damp Heat with Load	ΔR±0.5%	40±2°C, 90~95% R.H., RCWV for 1000 hrs with 1.5 hrs "ON" and 0.5 hrs "OFF"
Solderability	90% min. coverage	245±5°C for 3 seconds
Thermal Shock	ΔR±0.3%	-65°C ~150°C, 100 cycles
Terminal Strength	ΔR±0.2%	(Pull Test) 2.4N
Vibration, High Frequency	ΔR±0.2%	20g peak

- Lead Material: Tinned Copper
- Maximum Torque: 0.9 N-m
- When in Free Air at 25°C, the TR50 is Rated for 3W.
- The Case Temperature is to be used for the Definition of the Applied Power Limit.
- The Case Temperature Measurement must be made with a Thermocouple Contacting the Center of the Component mounted on the Designed Heat Sink.
- Thermal Grease Should be Applied Properly.
- Storage Temperature: 25±5°C; Humidity: < 75%RH

单击下面可查看定价，库存，交付和生命周期等信息

[>>VIKING\(光颧\)](#)