

**Power Inductor ADCC Series**

**Automotive  
AEC-Q200**

RoHS Compliant  
Halogen Free  
REACH Compliant



- Power Circuit
- Shield
- Wire Wound
- Metal
- Ultra High Current

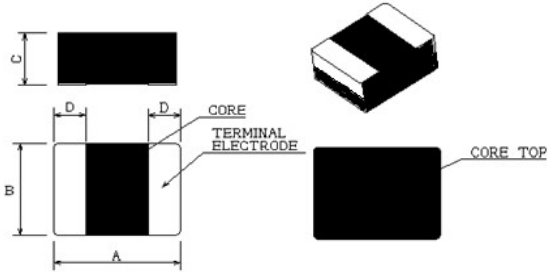
**Part Numbering**

<b>A</b>	<b>DCC</b>	<b>00</b>	<b>201612</b>	<b>1R0</b>	<b>M</b>	<b>C1</b>
Grade	Series Name	Control Code	Dimensions Code (mm)	Inductance (uH)	Tolerance	Internal Code
			201612 2.0x1.6x1.2	R15 0.15	M ±20%	
			252012 2.5x2.0x1.2	R24 0.24		
				R33 0.33		
				R47 0.47		
				1R0 1.00		
				1R5 1.50		

Please be sure to request approval specifications that provide further details of the products. Kindly note that the content of these specifications are subject to change or may be discontinued without prior notice. This product may not be designed/used in medical or high risk applications without Chilisin approval. Please contact our sales department before ordering.

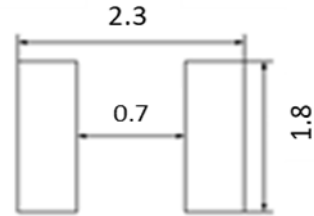
**ADCC00201612 Type**

**Dimensions**



unit:mm

**Recommended Land Pattern**



unit:mm

**Electrical Characteristics**

Part No.	Inductance (uH)	Test Freq.	RDC(mΩ) Max(Typ)	Isat(A) Max(Typ)	Irms(A) Max(Typ)	Tolerance (±%)
ADCC00201612R15MC1	0.15	2MHz, 1V	16(10)	7.7(8.6)	5.5(6.9)	20
ADCC00201612R24MC1	0.24	2MHz, 1V	21(16)	5.9(6.5)	5.0(6.2)	20
ADCC00201612R33MC1	0.33	2MHz, 1V	27(22)	5.2(5.8)	4.3(4.8)	20
ADCC00201612R47MC1	0.47	2MHz, 1V	30(24)	4.5(5.0)	3.9(4.5)	20
ADCC002016121R0MC1	1.00	2MHz, 1V	50(43)	3.3(3.7)	3.1(3.4)	20
ADCC002016121R5MC1	1.50	2MHz, 1V	95(90)	2.5(2.8)	2.3(2.6)	20

**Note: When ordering, please specify tolerance code. Tolerance: M=±20%**

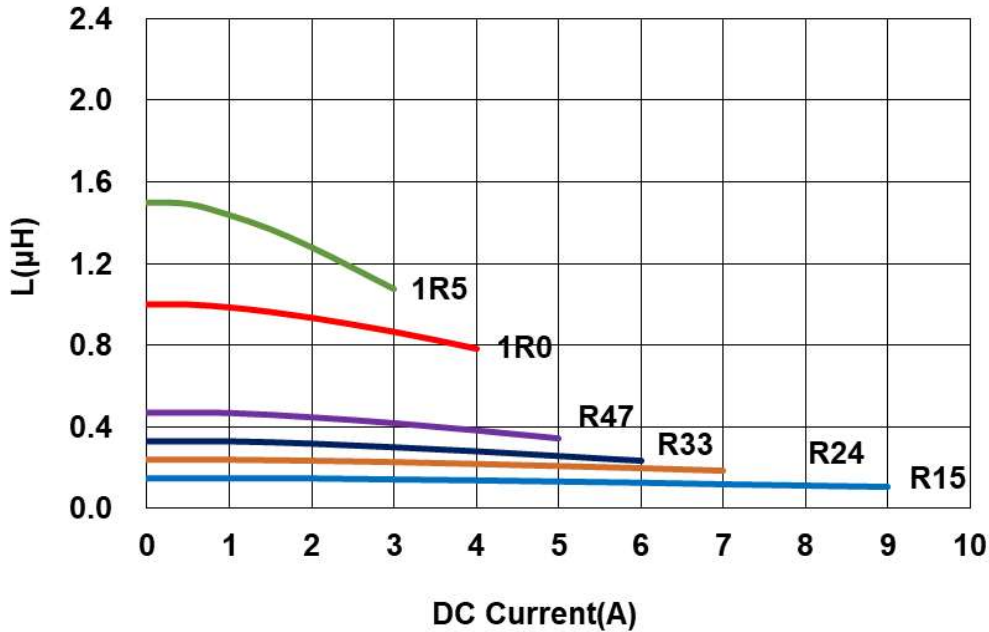
- Operating temperature range: -40°C~125°C (Including self-temperature rise)
- Isat for Inductance drop 30% from its initial inductance value without applying current
- Irms for a 40°C temperature rise from 25°C ambient with applying current
- Rated current: Isat or Irms, whichever is smaller
- Absolute maximum voltage: 20VDC
- Measure Equipment:
  - L: WK 6500B/HP4285A (or equivalent), 2MHz 1V
  - RDC: Chen Hwa 502BC/HP4338B (or equivalent)
  - Isat: Agilent E4980A+HP42841A (or equivalent)
  - Irms: Agilent 6641 system DC power supply (or equivalent)

**Power Inductor ADCC Series**

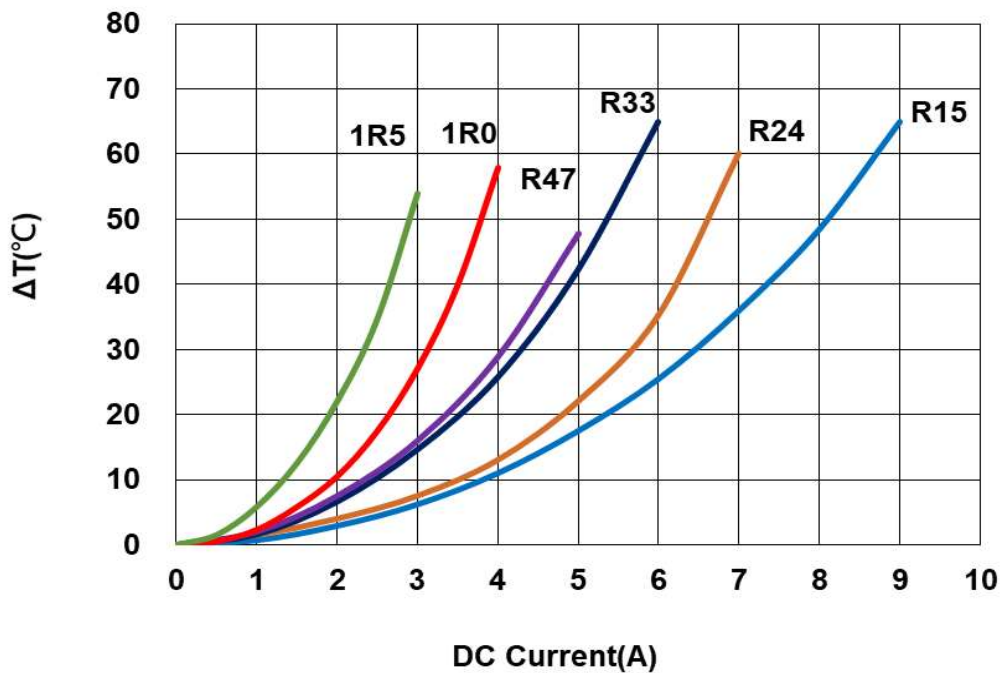
ADCC00201612 Type

■ Characteristics Graph

**Inductance vs.DC Current**



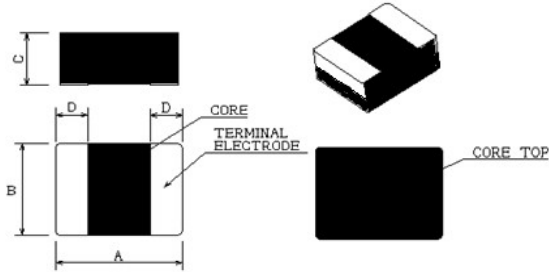
**Temperature Change vs. DC Current**



Please be sure to request approval specifications that provide further details of the products. Kindly note that the content of these specifications are subject to change or may be discontinued without prior notice. This product may not be designed/used in medical or high risk applications without Chilisin approval. Please contact our sales department before ordering.

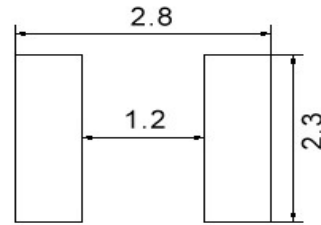
**ADCC00252012 Type**

**Dimensions**



unit:mm

**Recommended Land Pattern**



unit:mm

**Electrical Characteristics**

Part No.	Inductance (uH)	Test Freq.	RDC(mΩ) Max(Typ)	Isat(A) Max(Typ)	Irms(A) Max(Typ)	Tolerance (±%)
ADCC00252012R24MC1	0.24	2MHz, 1V	13(8)	8.0(9.0)	6.7(8.5)	20
ADCC00252012R33MC1	0.33	2MHz, 1V	22(16)	6.2(7.0)	4.7(5.4)	20
ADCC00252012R47MC1	0.47	2MHz, 1V	27(21)	5.2(6.1)	4.0(4.7)	20
ADCC002520121R0MC1	1.00	2MHz, 1V	42(35)	3.7(4.3)	3.3(3.8)	20
ADCC002520121R5MC1	1.50	2MHz, 1V	60(55)	3.4(3.8)	2.6(2.9)	20
ADCC002520122R2MC1	2.20	2MHz, 1V	92(85)	2.8(3.1)	2.1(2.3)	20

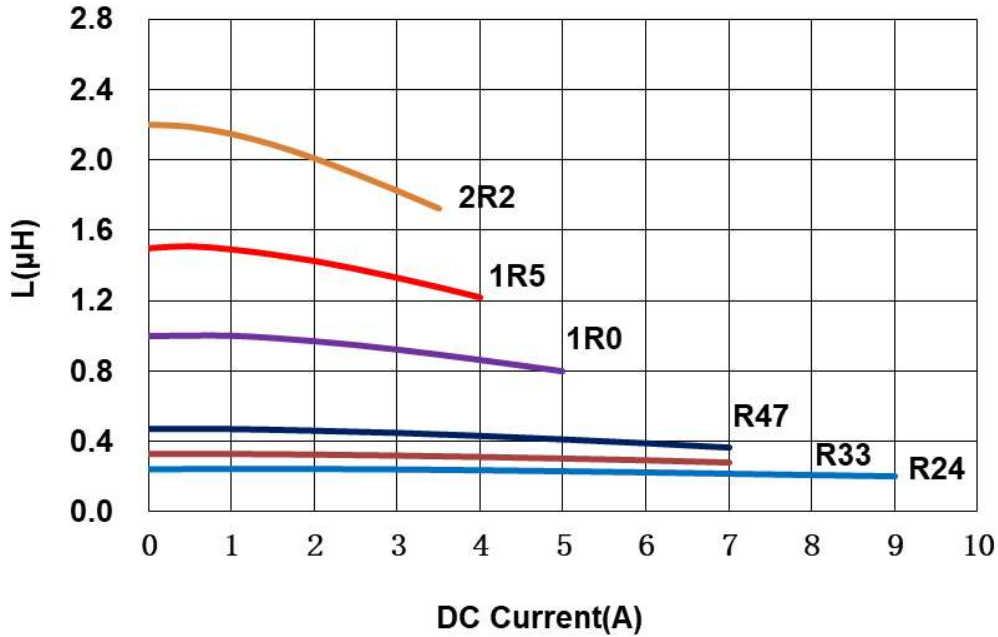
**Note: When ordering, please specify tolerance code. Tolerance: M=±20%**

1. Operating temperature range: -40°C~125°C (Including self-temperature rise)
2. Isat for Inductance drop 30% from its initial inductance value without applying current
3. I rms for a 40°C temperature rise from 25°C ambient with applying current
4. Rated current: Isat or I rms, whichever is smaller
5. Absolute maximum voltage: 20VDC
6. Measure Equipment:
  - L: WK 6500B/HP4285A (or equivalent), 2MHz 1V
  - RDC: Chen Hwa 502BC/HP4338B (or equivalent)
  - Isat: Agilent E4980A+HP42841A (or equivalent)
  - I rms: Agilent 6641 system DC power supply (or equivalent)

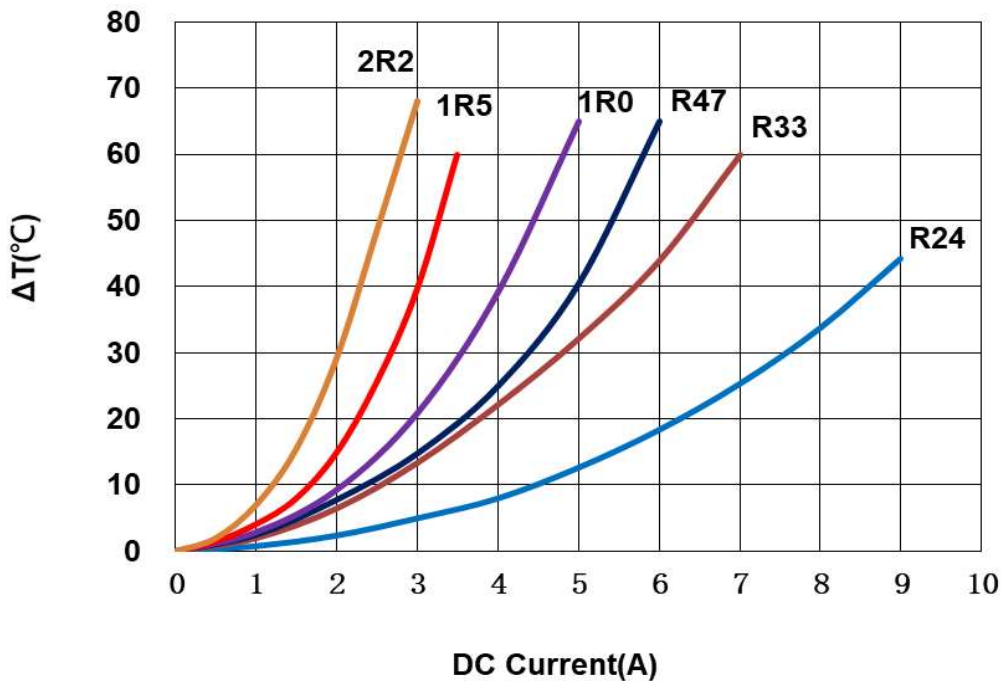
ADCC00252012 Type

■ **Characteristics Graph**

**Inductance vs. DC Current**



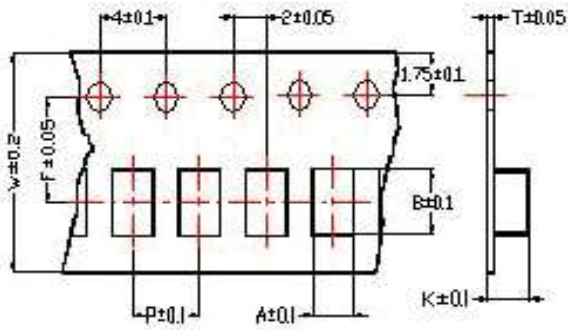
**Temperature Change vs. DC Current**



Please be sure to request approval specifications that provide further details of the products. Kindly note that the content of these specifications are subject to change or may be discontinued without prior notice. This product may not be designed/used in medical or high risk applications without Chilisin approval. Please contact our sales department before ordering.

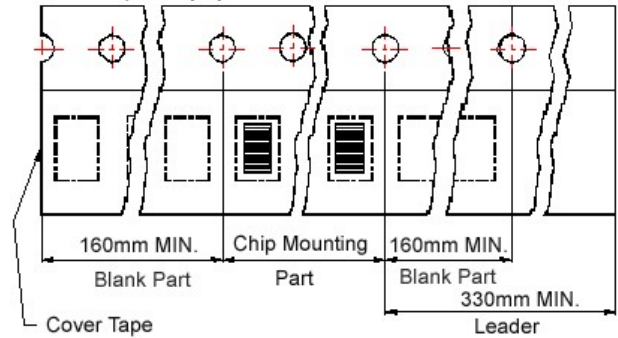
**■ Packaging**

**Tape Dimensions**

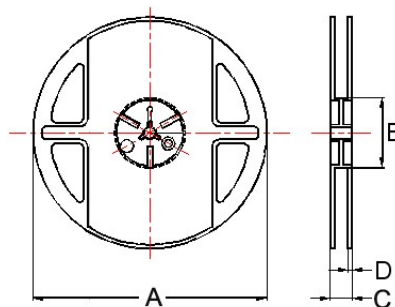


**Tape Material**

Carrier Tape: Polycarbonate  
Cover Tape: Polystyrene



**Reel Dimensions**



**Dimensions in mm**

TYPE	Tape Dimensions							Reel Dimensions				Quantity PCS / Reel
	A	B	T	W	P	F	K	A	B	C	D	
ADCC00201612	1.90	2.20	0.22	8	4	3.5	1.15	178	60	12	2	3000
ADCC00252012	2.30	2.80	0.22	8	4	3.5	1.35	178	60	12	2	3000

Please be sure to request approval specifications that provide further details of the products. Kindly note that the content of these specifications are subject to change or may be discontinued without prior notice. This product may not be designed/used in medical or high risk applications without Chilisin approval. Please contact our sales department before ordering.

单击下面可查看定价，库存，交付和生命周期等信息

[>>CHILISIN\(奇力新\)](#)