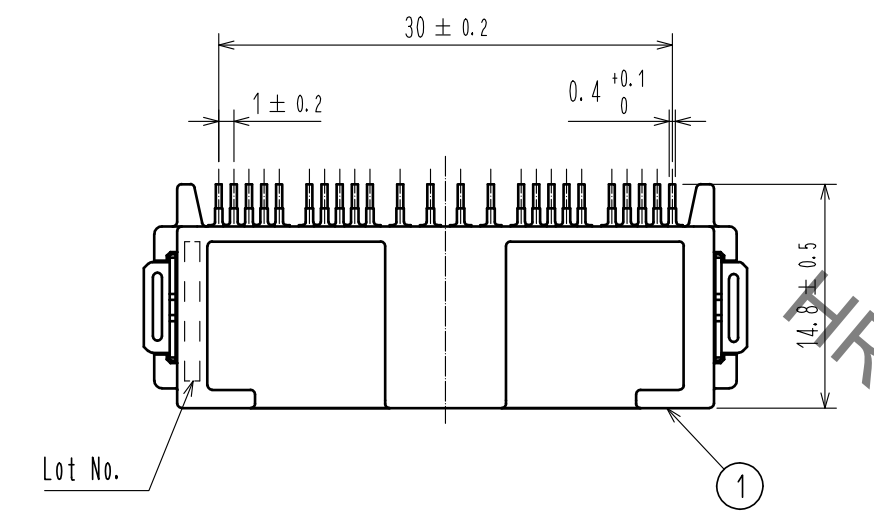


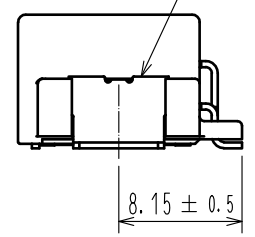
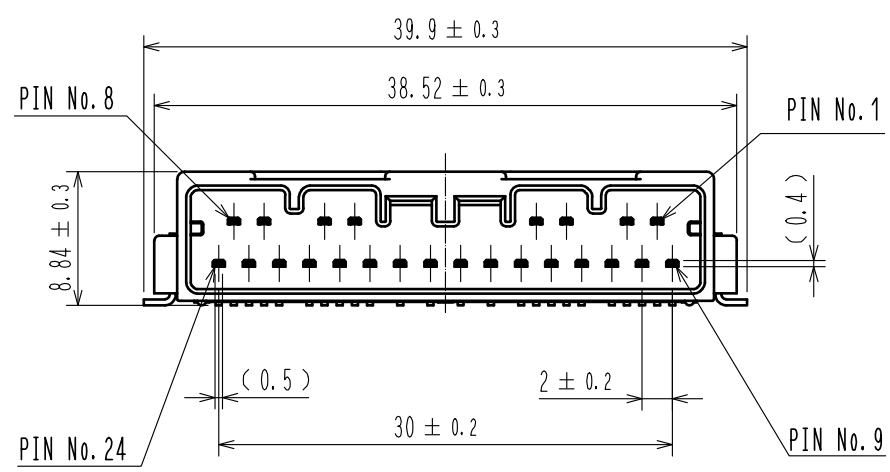
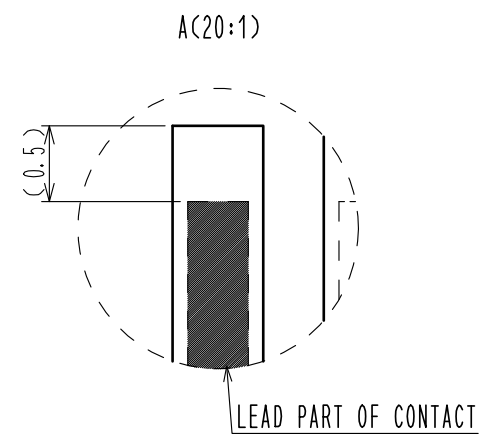
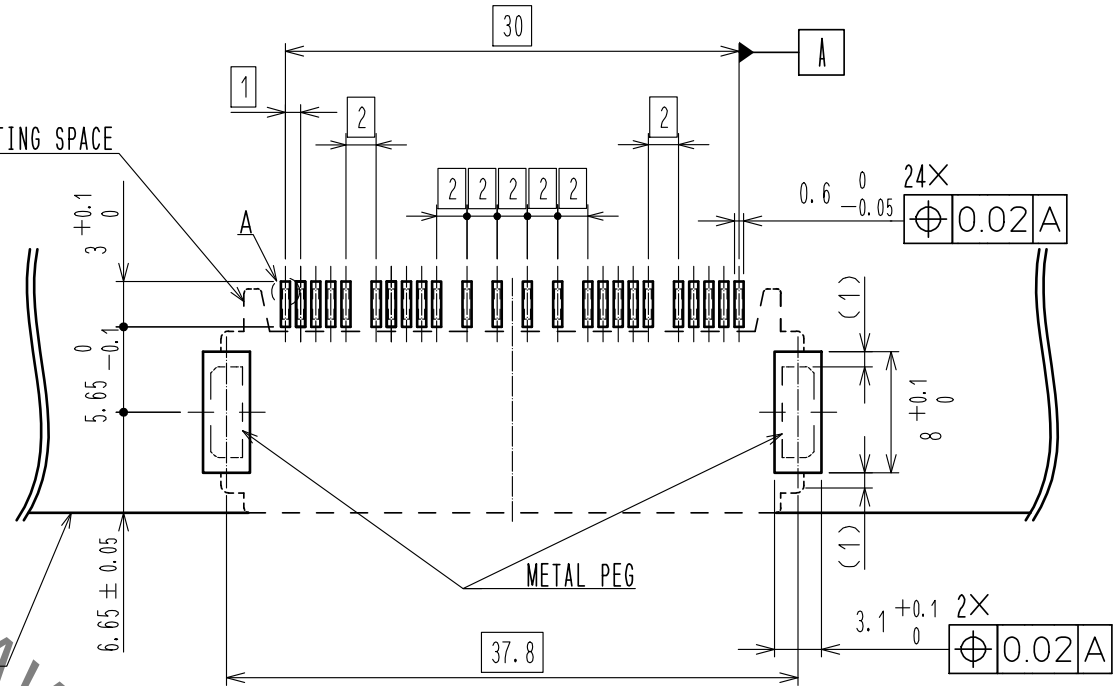
May.1.2023 Copyright 2023 HIROSE ELECTRIC CO., LTD. All Rights Reserved.
In case of consideration for using Automotive equipment / device which demand high reliability, kindly contact our sales window correspondents.

ELV, RoHS COMPLIANT

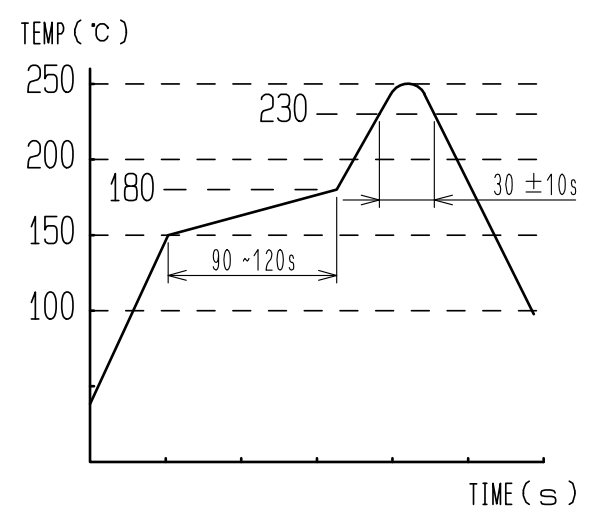
RECOMMENDED PCB PATTERN



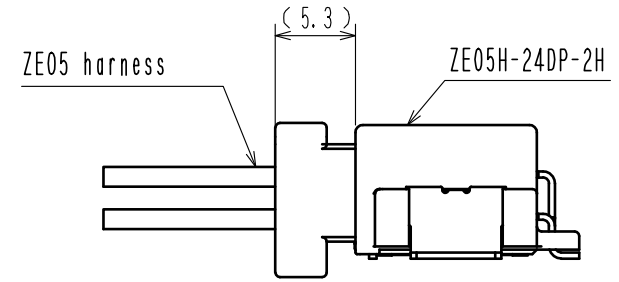
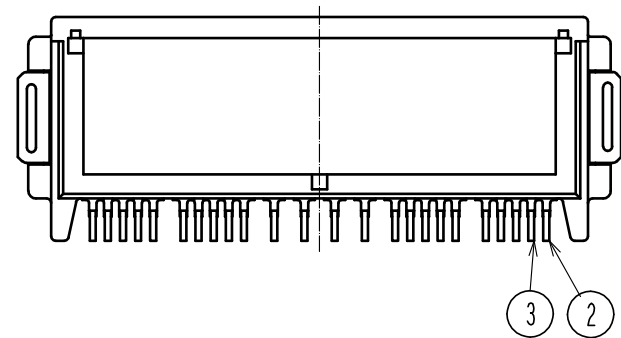
CONNECTOR MOUNTING SPACE



- NOTE 1. RECOMMENDED TEMPERATURE PROFILE FOR REFLOW (REFER TO RIGHT FIG.) USED REFLOW SYSTEM
 : IR IN THE AIR OR NITROGEN
 NO. OF CYCLES : 2 MAX
 PEAK : 250°C
 OVER 230°C : 20~40s
 PREHEAT : 150~180°C
 90~120s
 2. TEMPERATURE FOR SOLDERING IRON : 280~300°C WITHIN 2s
 3. CO-PLANARITY SHALL BE 0.1mm MAX.
 4. RECOMMENDED PCB THICKNESS IS 1.6mm.
 5. RECOMMENDED SOLDER THICKNESS IS 0.15mm.



MATED CONNECTORS

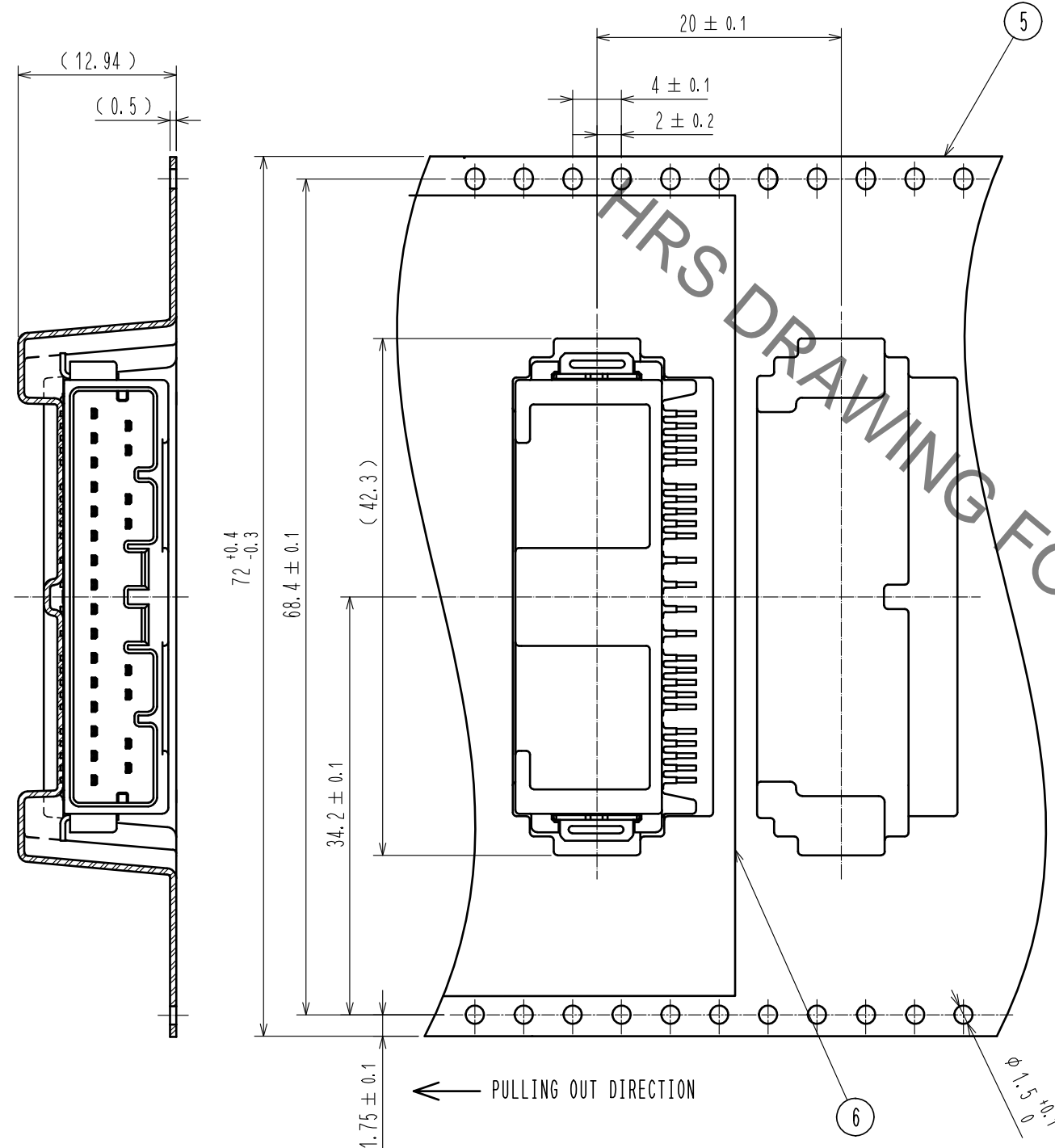


3	BRASS	SURFACE PLATING : TIN PLATING 1μm min					
		UNDER PLATING : NICKEL 1μm min	6	POLYESTER			
2	BRASS	SURFACE PLATING : TIN PLATING 1μm min	5	POLYSTYRENE			
		UNDER PLATING : NICKEL 1μm min			SURFACE PLATING : TIN PLATING 1μm min		
1	PA	BLACK UL94V-0	4	BRASS	UNDER PLATING : NICKEL 1μm min		
NO.	MATERIAL	FINISH . REMARKS	NO.	MATERIAL	FINISH . REMARKS		
UNITS mm		SCALE 2 : 1	COUNT 	DESCRIPTION OF REVISIONS	DESIGNED	CHECKED	DATE
HRS HIROSE ELECTRIC CO., LTD.		APPROVED : AH. EDASHIGE	20190125	DRAWING NO.	EDC-373535-00-00		
		CHECKED : HH. TSUKUMO	20190125	PART NO.	ZE05H-24DP-2H		
		DESIGNED : YH. MAMADA	20190125	CODE NO.	CL752-2116-0-00		
		DRAWN : NF. IKEDA	20190125				

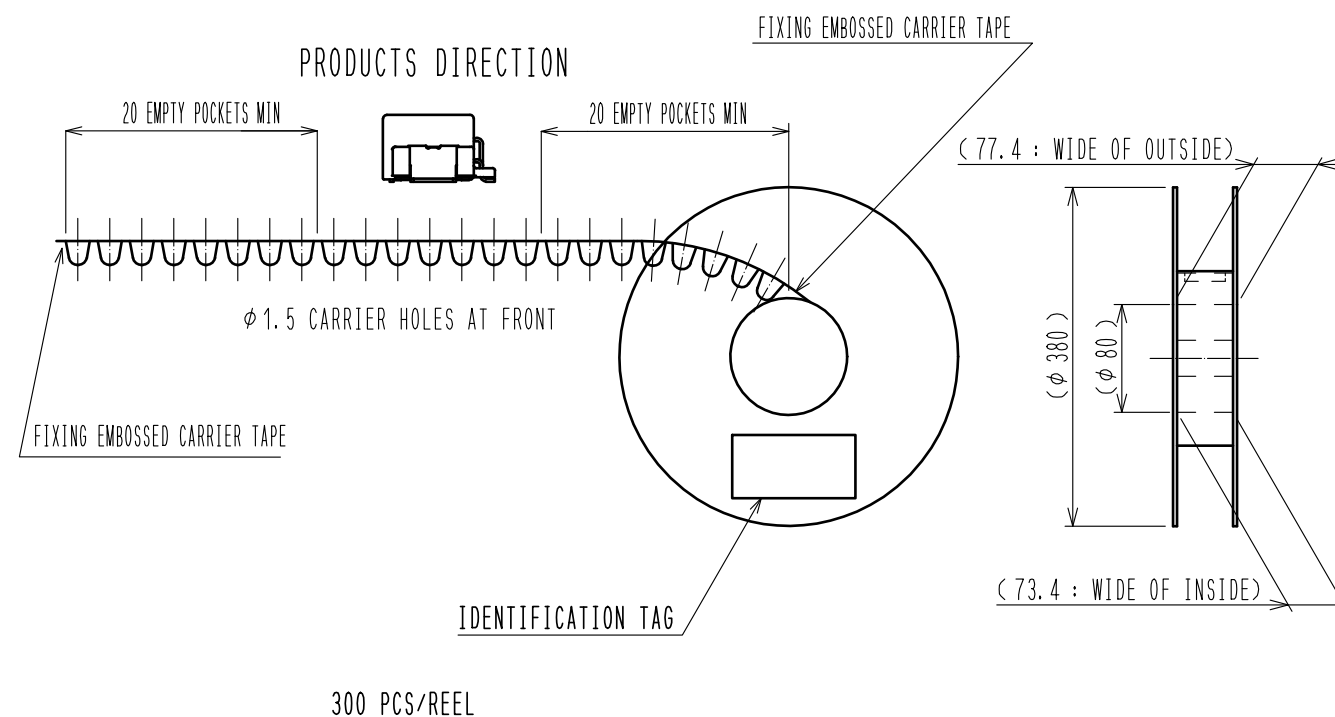
May.1.2023 Copyright 2023 HIROSE ELECTRIC CO., LTD. All Rights Reserved.
 In case of consideration for using Automotive equipment / device which demand high reliability, kindly contact our sales window correspondents.

PACKING STYLE

PACKING STYLE DRAWING



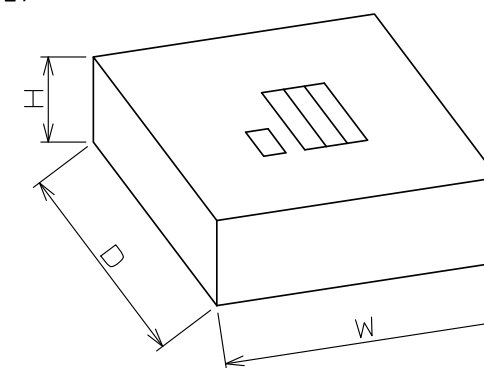
REEL DIMENSION (FREE)



300 PCS/REEL

CARDBOARD DIMENSION (FREE)

W=(405) (mm)
 D=(405) (mm)
 H=(80) (mm)



HRS DRAWING FOR REFERENCE

HRS	DRAWING NO.	EDC-373535-00-00
	PART NO.	ZE05H-24DP-2H
	CODE NO.	CL752-2116-0-00
		2/2

单击下面可查看定价，库存，交付和生命周期等信息

[>>HRS\(广濂\)](#)