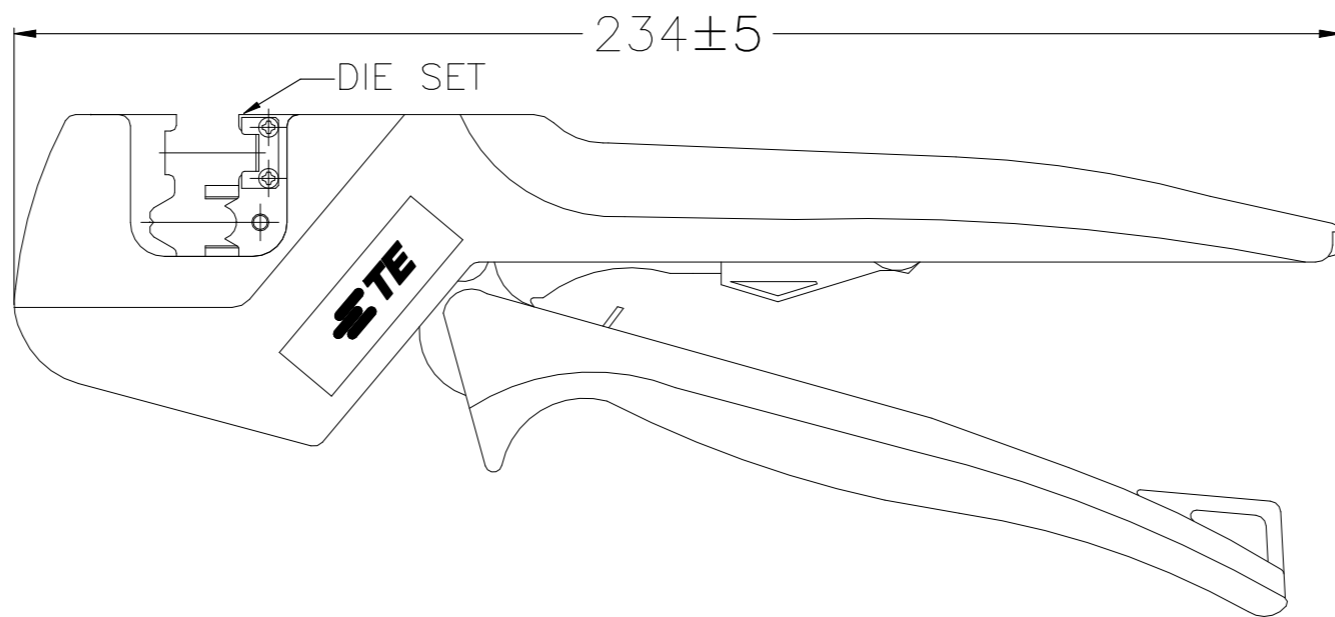
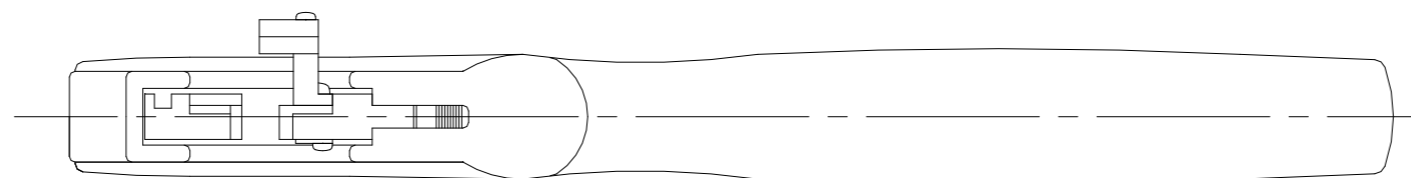
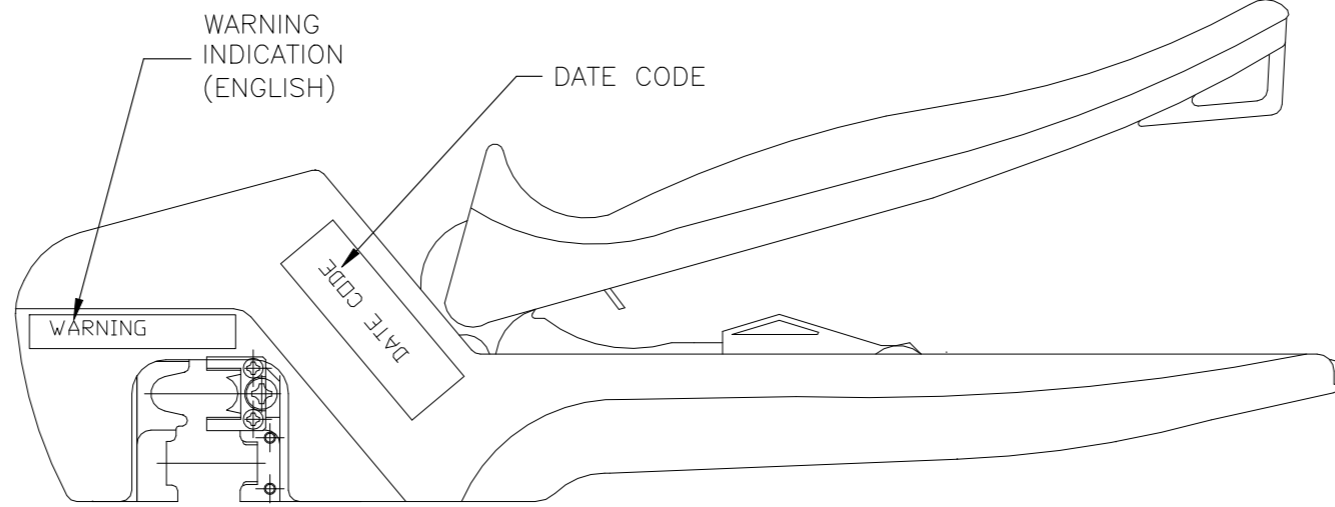
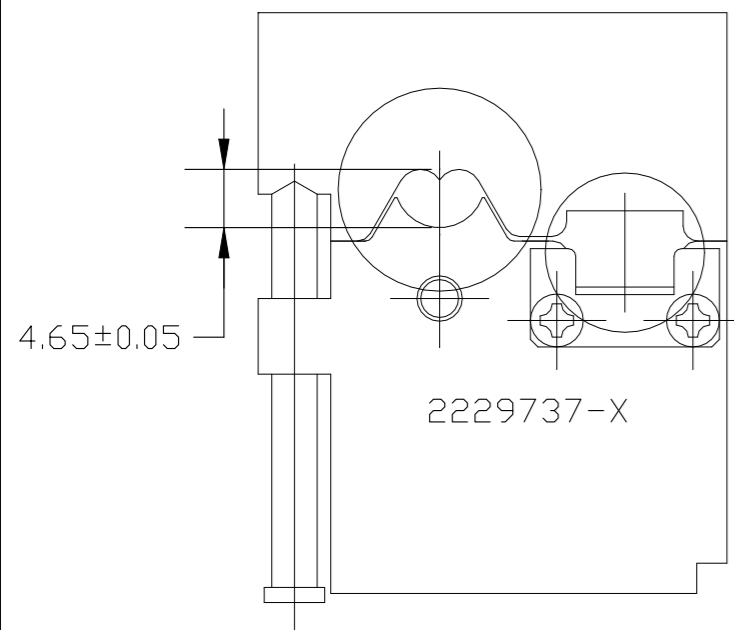


REVISIONS


| P | LTR | DESCRIPTION | DATE | DWN | APVD |
|---|-----|----------------------|-----------|-----|------|
| | A2 | 2229737-1 SUPERSEDED | 25MAY2022 | SS | KP |



DIMENSIONS OF CLOSED DIE



2229737-2
 SUPERSEDED 2229737-1
 TEPN

| | | | | | | | |
|---|--|----------------------------|---|--------------|-----------------|----------------------|-----------------|
| THIS DRAWING IS A CONTROLLED DOCUMENT. | | DWN S.SHARMA 10DEC2019 |  TE Connectivity | | | | |
| DIMENSIONS: mm | | CHK J.DE BRUIJN 10DEC2019 | | | | | |
| TOLERANCES UNLESS OTHERWISE SPECIFIED: | | APVD J.DE BRUIJN 10DEC2019 | NAME INDUSTRIAL MINI I/O PIERCING TYPE HAND TOOL | | | | |
| 0 PLC ± - 1 PLC ± - 2 PLC ± - 3 PLC ± - 4 PLC ± - ANGLES ± - | | PRODUCT SPEC - | APPLICATION SPEC - | | | | |
| MATERIAL - | | FINISH - | WEIGHT 460 GR | SIZE A3 | CAGE CODE 00779 | DRAWING NO C-2229737 | RESTRICTED TO - |
| CUSTOMER DRAWING | | | SCALE NTS | SHEET 1 OF 1 | REV A2 | | |

单击下面可查看定价，库存，交付和生命周期等信息

[>>TE Connectivity\(泰科\)](#)