



Form No.: QF-1274
Edition: 2

ISO9001 ISO14001 IATF16949 CHILISIN ELECTRONICS CORP.
RoHS & Halogen Free & REACH Compliance.

SPECIFICATION FOR APPROVAL

Customer : _____

Customer P/N: _____

Drawing No : **C3X2000567**

Quantity : **0** Pcs. Date : **2020/11/18**

Chilisin P/N : **BPSSBT0808406R8TM2**

SPECIFICATION ACCEPTED BY:	
COMPONENT ENGINEER	
ELECTRICAL ENGINEER	
MECHANICAL ENGINEER	
APPROVED	
REJECTED	

奇力新電子股份有限公司
Chilisin Electronics Corp
No. 29, Alley 301, Tehhsin Rd.,
Hukou, Hsinchu 303, Taiwan
TEL : +886-3- 599-2646
FAX : +886-3- 599-9176
E-mail : sales@chilisin.com
http : //www.chilisin.com

東莞奇力新電子(東莞廠)有限公司
Chilisin Electronics (Dongguan) Co., Ltd.
No. 78, Puxing Rd., Yuliangwei Administration Area,
Qingxi Town, Dongguan City, Guangdong, China
TEL : +86-769-8773-0251~3
FAX : +86-769-8773-0232
E-mail : cect@chilisin.com

奇力新電子(越南廠)有限公司
Chilisin Electronics (Vietnam) Limited
No 143 - 145, Road No 10, VSIP Hai Phong,
Lap Le Commune, Thuy Nguyen Dist,
Haiphong City, Vietnam
Tel : 84-316 255 688 Fax : 84-316 255
689
E-mail : sales@chilisin.com

奇力新電子(湖南廠)有限公司
HuNan Chilisin Electronics Technology Co., Ltd
No. 8, Shaziao Liangshuijing Town, Yuanling
County, Huaihua City, Hunan Province 419601,
China
Tel : 86-745-867-5882
E-mail : cect@chilisin.com

Drawn by
Jinju

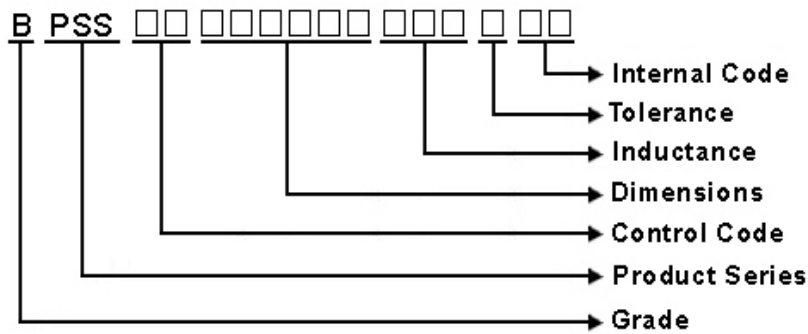
Checked by
Marco

Approved by
Vincent

BPSSBT080840 Series Specification

1 Scope: This specification applies to SMD Shielded Power Choke

2 Part Numbering:

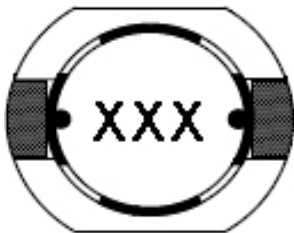


3 Rating:

Operating Temperature: $-40^{\circ}\text{C} \sim 125^{\circ}\text{C}$ (Including self - temperature rise)

Storage Temperature: $-40^{\circ}\text{C} \sim 125^{\circ}\text{C}$

4 Marking:



Ex Marking : 6R8

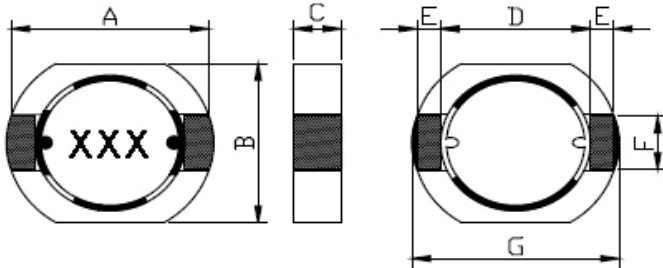
Marking color : White

5 Standard Testing Condition

	Unless otherwise specified	In case of doubt
Temperature	Ordinary Temperature(15 to 35°C)	20 to 30°C
Humidity	Ordinary Humidity(25 to 85% RH)	50 to 80 %RH

BPSSBT080840 Series Specification

6 Configuration and Dimensions:



Dimensions in mm

TYPE	080840
A	7.5±0.5
B	7.5±0.5
C	4.0 Max.
D	5.4 Typ.
E	1.0 Typ.
F	2.5 Typ.
G	9.2 Max.

7 Electrical Characteristics:

Part No.	Inductance (uH)	Test Freq.	RDC (mΩ)Max.	Isat (A)	Irms (A)	Tolerance (±%)	Marking
BPSSBT0808401R0□M2	1	100kHz,0.1V	11.28	7.30	8.00	T	1R0
BPSSBT0808401R5□M2	1.5	100kHz,0.1V	13.57	7.20	6.80	T	1R5
BPSSBT0808402R2□M2	2.2	100kHz,0.1V	15.72	7.00	6.50	T	2R2
BPSSBT0808403R3□M2	3.3	100kHz,0.1V	20.98	5.40	5.50	T	3R3
BPSSBT0808404R7□M2	4.7	100kHz,0.1V	30.32	4.60	4.90	T	4R7
BPSSBT0808406R8□M2	6.8	100kHz,0.1V	46.64	3.90	3.50	T	6R8
BPSSBT0808401M2□M2	10	100kHz,0.1V	58.52	3.20	2.80	M,T	100
BPSSBT080840150□M2	15	100kHz,0.1V	80.10	2.50	2.30	M,T	150
BPSSBT080840220□M2	22	100kHz,0.1V	123	2.20	2.20	M,T	220
BPSSBT080840330□M2	33	100kHz,0.1V	169	1.80	2.00	M,T	330
BPSSBT080840470□M2	47	100kHz,0.1V	251	1.30	1.35	M,T	470
BPSSBT080840680□M2	68	100kHz,0.1V	373	1.25	1.00	M,T	680
BPSSBT080840101□M2	100	100kHz,0.1V	544	1.10	0.82	M,T	101
BPSSBT080840121□M2	120	100kHz,0.1V	610	1.00	0.75	M,T	121
BPSSBT080840151□M2	150	100kHz,0.1V	841	0.92	0.65	M,T	151

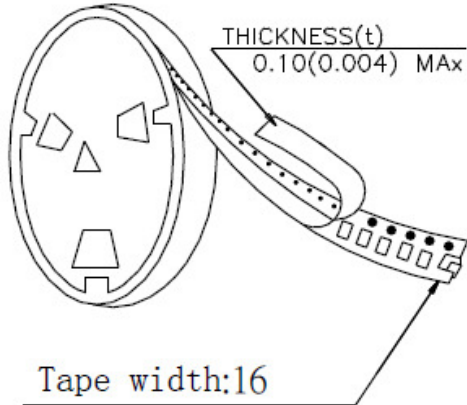
NOTE: □-tolerance M=±20% / T=±30%

1. Operating temperature range - 40 °C ~ 125 °C (Including self - temperature rise)
2. Isat for Inductance drop 35% Max. from its value without current.
3. Irms for a 40°C Typ temperature rise from 25°C ambient.
4. Rated DC Current : The less value which is Isat or Irms.

BPSSBT080840 Series Specification

8 Packaging:

8.1 Packaging -Cover Tape

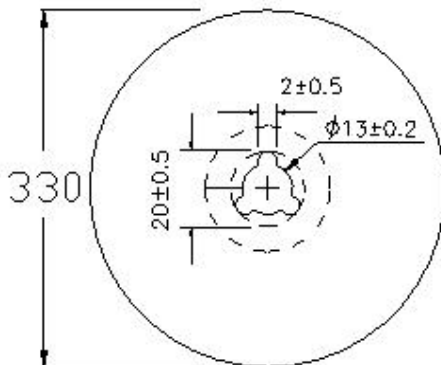


8.2 Packaging Quantity

TYPE	PCS/REEL
080840	1000

8.3 Reel Dimensions

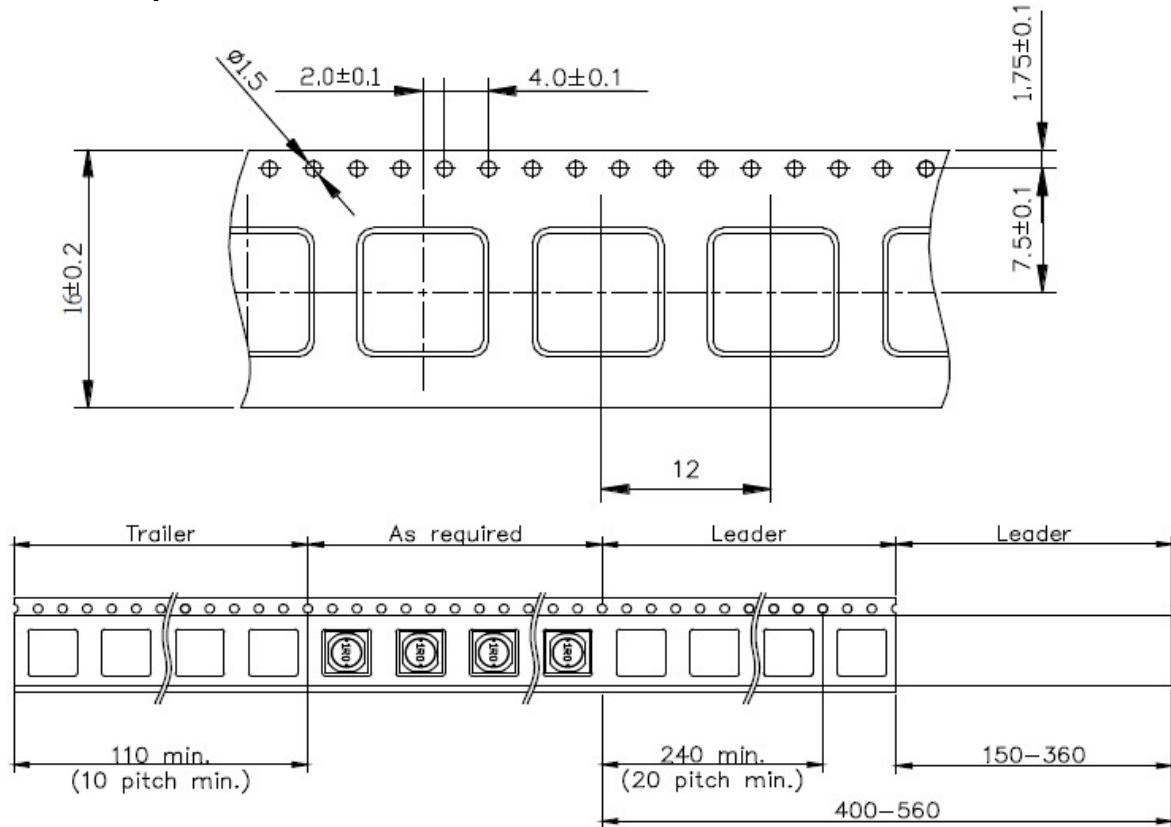
Unit : mm



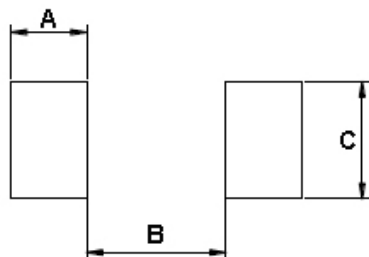
BPSSBT080840 Series Specification

8 Packaging:

8.4 Tape Dimensions in mm



9 Recommended Land Pattern:



Dimensions in mm

TYPE	A(mm)	B(mm)	C(mm)
080840	1.5	5.4	2.8

10 Note:

1. Please make sure that your product has been evaluated and confirmed against your specifications when our product is mounted to your product.
2. Do not knock nor drop.
3. All the items and parameters in this product specification have been prescribed on the premise that our product is used for the purpose, under the condition and in the environment agreed upon between you and us. You are requested not to use our product deviating from such agreement.
4. Please keep the distance between transformer/coil and other components (refer to the standard IEC 950)
5. The moisture sensitivity level (MSL) of products is classified as level 1.

单击下面可查看定价，库存，交付和生命周期等信息

[>>CHILISIN\(奇力新\)](#)