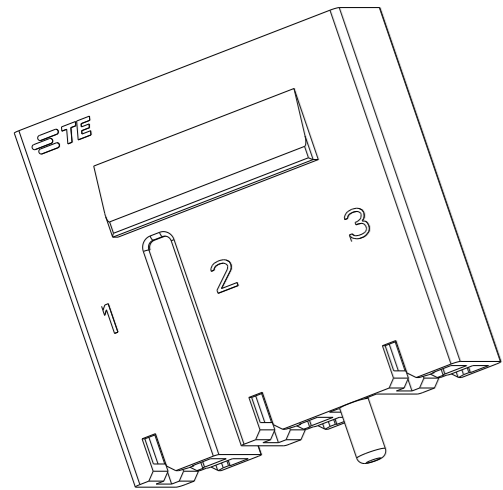


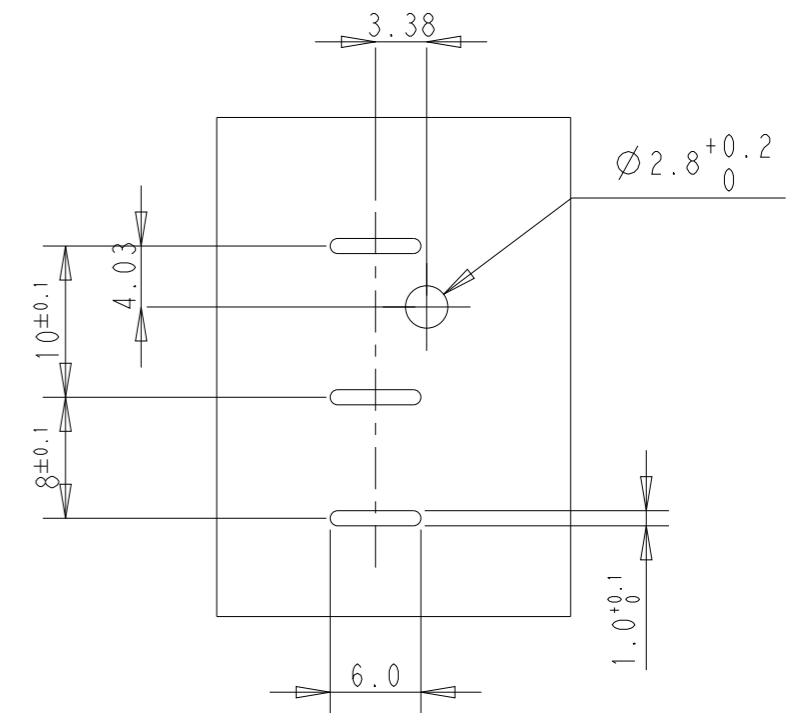
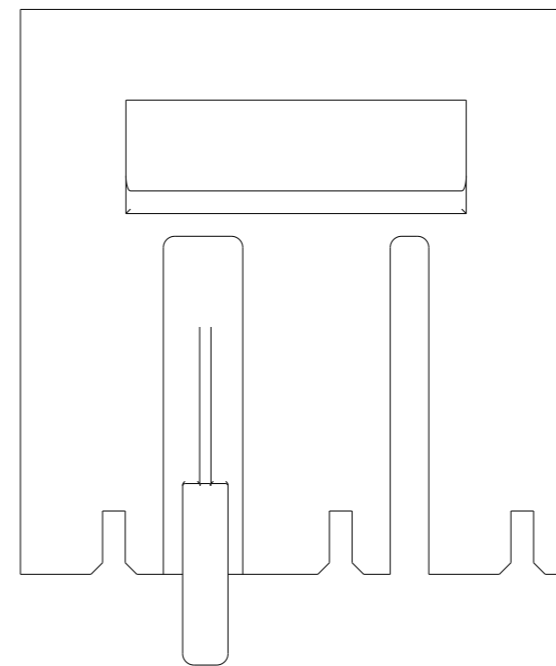
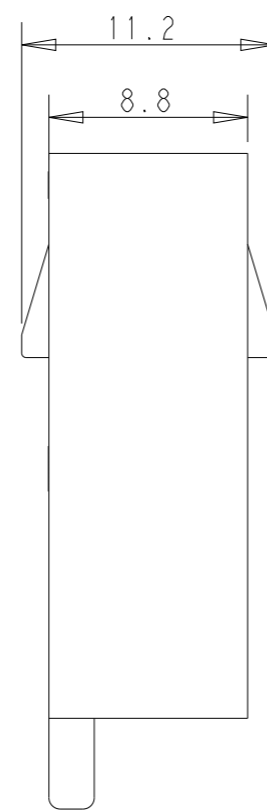
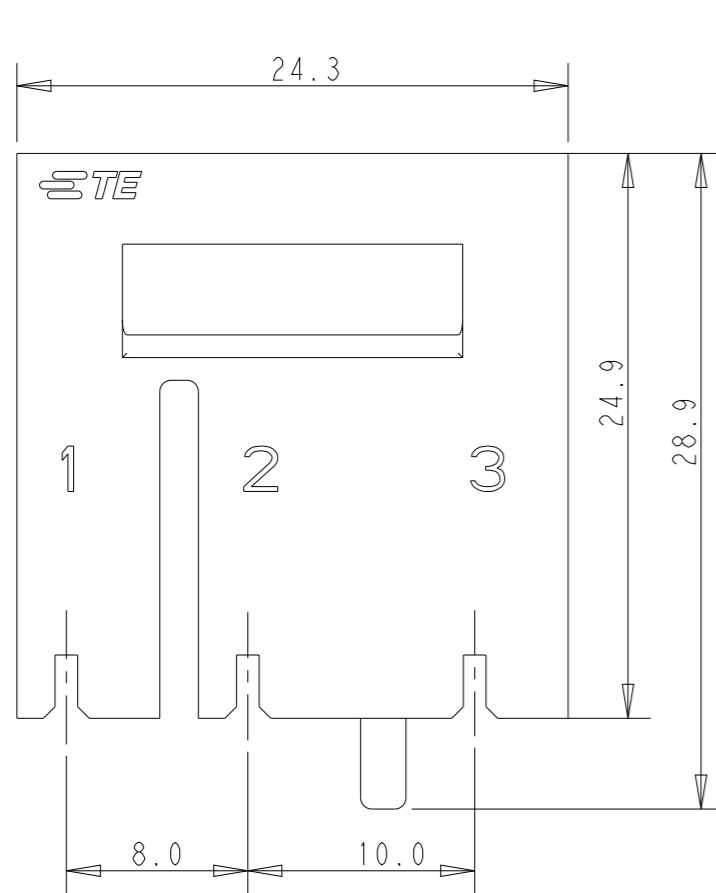
P	LTR	DESCRIPTION	DATE	DWN	APVD
A		INITIAL RELEASE	09NOV21	DT	EW



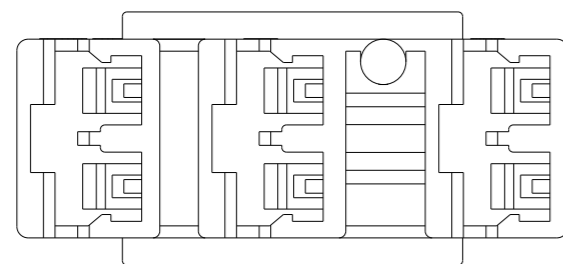
SCALE 2:1

NOTE:  
 1. APPLICABLE CONTACT PN: 2379911-1  
 2. MATERIAL: PBT UL94 V-0  
 3. GWT 750 VERSION, ACCORDING TO IEC 60335-1  
 4. THE TAB MUST BE PERPENDICULAR TO THE PCB WITHIN THE TOLERANCE 90° +1-2°


△ PCB LAYOUT WHEN USING TAPING TAB: 2358709-1



△ PCB LAYOUT



NATURAL	PBT	2379907-1
COLOR	MATERIAL	PN

THIS DRAWING IS A CONTROLLED DOCUMENT.		DWN DON TANG 08DEC2020	 TE Connectivity			
DIMENSIONS: mm		CHK DAISY LI 08DEC2020				
TOLERANCES UNLESS OTHERWISE SPECIFIED:		APVD ERIC WANG 08DEC2020				
0 PLC ±0.25 1 PLC ±0.2 2 PLC ±0.1 3 PLC ± 4 PLC ± ANGLES ± FINISH ±		NAME 250 HSG. F-SPRING REC.10mm 3P PRODUCT SPEC 108-106568 APPLICATION SPEC - WEIGHT -				
MATERIAL -		CUSTOMER DRAWING	SIZE A3	CAGE CODE 00779	DRAWING NO C-2379907	RESTRICTED TO -
			SCALE 3:1	SHEET 1 OF 1	REV A	

单击下面可查看定价，库存，交付和生命周期等信息

[>>TE Connectivity\(泰科\)](#)