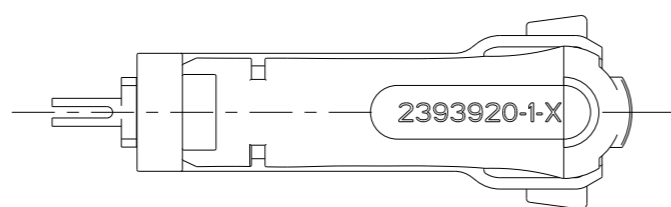
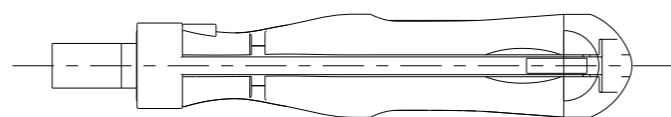
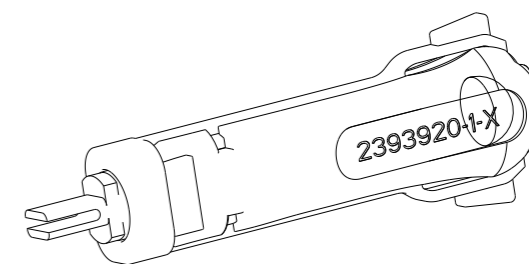
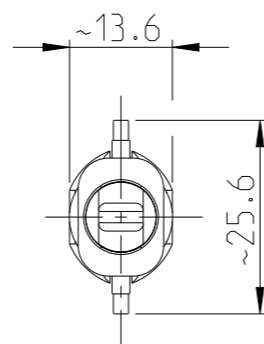
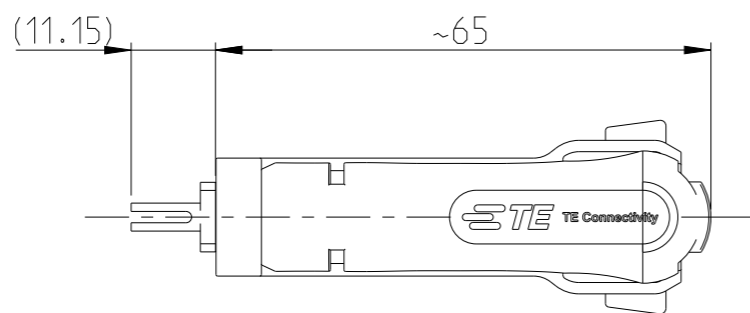


PART NUMBER	REV	FIRST USED
2393920-1	B	-


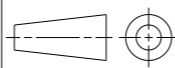
REVISIONS					
P	LTR	DESCRIPTION	DATE	DWN	APVD
	A	Initial Release	05JUL2022	BM	MP
	B	ECR-22-151304	01SEP2022	RK	BM



APPLICATION RANGE:
 SDL2.5 WATER PROOF CONNECTORS 2321924 / 2321926 / 2366249

TPA: 2321927

APPLICATION SPEC: 408-143069
 INSTRUCTION SHEET: 114-143067

THIS DRAWING IS A CONTROLLED DOCUMENT.		DWN B.Muth	22MAR2022	 TE Connectivity	
DIMENSIONS: mm		CHK B.Muth	22MAR2022		
TOLERANCES UNLESS OTHERWISE SPECIFIED:		APVD M.Pajuelo	22MAR2022		
		NAME	TPA INSERTION TOOL		
MATERIAL		PRODUCT SPEC	-	SIZE	A3
FINISH		APPLICATION SPEC	-	CAGE CODE	00779
-		WEIGHT	0.015 kg	DRAWING NO	C-2393920
-		CUSTOMER DRAWING		RESTRICTED TO	-
		SCALE	1:1	SHEET	1 OF 1
		REV	B		

单击下面可查看定价，库存，交付和生命周期等信息

[>>TE Connectivity\(泰科\)](#)