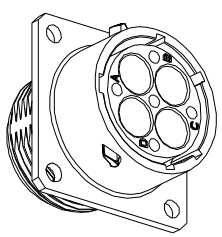
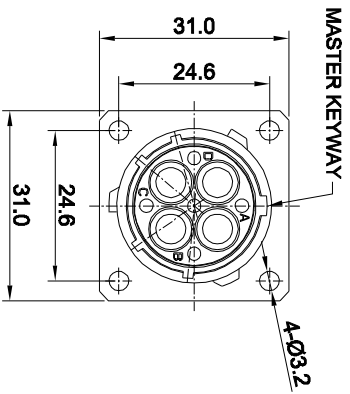
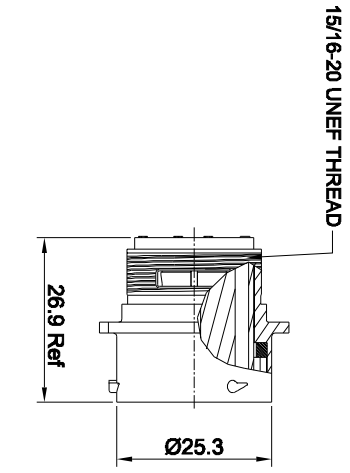
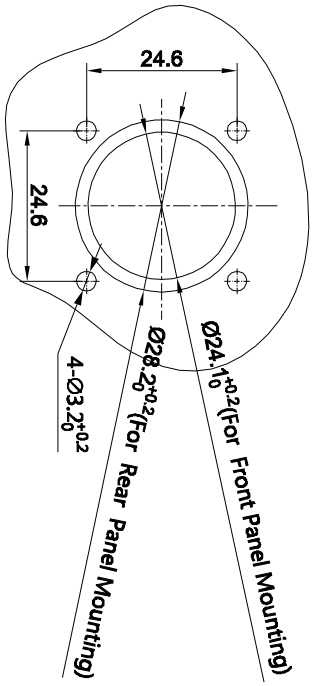


REVISIONS				
REV	ECO	DESCRIPTION	DATE	BY APPR
B1	-	RELEASED DRAWING	JUN-20-2014	BEN TOMMY



- NOTES : (UNLESS OTHERWISE SPECIFIED)
- MATERIAL :
SHELL : ZINC ALLOY , NICKEL PLATED.
INSERT : THERMOPLASTIC , UL94 V-0.
SEAL GASKET : NBR/SILICONE RUBBER.
 - SPECIFICATIONS :
2.1 RATED CURRENT : 45A (MAX).
2.2 RATED VOLTAGE : 500V (AC/DC).
2.3 OPERATING TEMPERATURE : SEE CHART.
2.4 DIELECTRIC WITHSTANDING VOLTAGE : LESS THAN 2 MILLIAMPS CURRENT LEAKAGE@2000 VOLTS AC.
2.5 INSULATION RESISTANCE : 5000 MEGOHMS MIN.
2.6 IP--CLASS : IP67.
2.7 MATING CYCLES DURABILITY : 500 CYCLES MIN.
2.8 ROHS COMPLIANT.
 - SUITABLE CONTACTS : 8# CONTACTS.
 - ALL DIMENSIONS ARE FOR REFERENCE USE ONLY.



KEY POS	PART NUMBER	TEMPERATURE
N	RT00164P#N	-40°C ~ 125°C
W	RT00164P#W	-40°C ~ 125°C
X	RT00164P#X	-40°C ~ 125°C
Y	RT00164P#Y	-40°C ~ 125°C
Z	RT00164P#Z	-40°C ~ 125°C

QUANTITY	SEE PART NUMBER CHART	PART NUMBER	DESCRIPTION	ITEM

UNLESS OTHERWISE SPECIFIED	
1) ALL DIMENSIONS ARE IN MILLIMETERS.	2) TOLERANCES ARE AS SHOWN.
3) HOLE REFERENCE =	

MATERIAL SPECIFICATIONS:		PROCESS SPECIFICATIONS:	
1) ALL DIMENSIONS ARE IN MILLIMETERS.	2) TOLERANCES ARE AS SHOWN.	1) ALL DIMENSIONS ARE IN MILLIMETERS.	2) TOLERANCES ARE AS SHOWN.

Amphenol
Sine Systems - www.amphenol-sine.com
44724 Morley Drive
Clinton Township, MI 48038

ECO-MATE RECEPTACLE,
SIZE 16, 4POS, PIN.

SIZE: B
TYPE: C-
DWG NO: RT00164P##
REVISION: B1

单击下面可查看定价，库存，交付和生命周期等信息

[>>Amphenol\(安费诺\)](#)