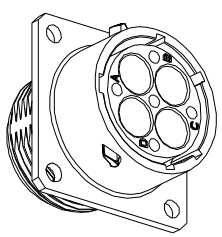
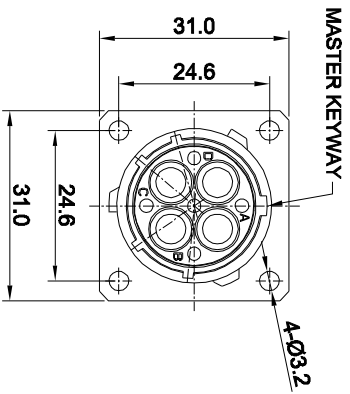
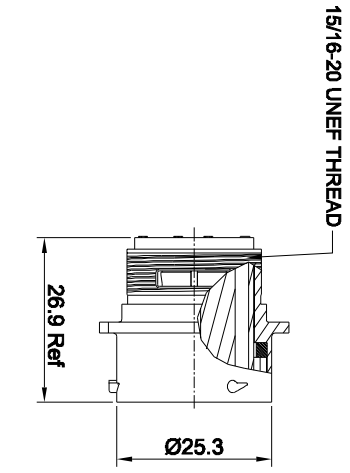
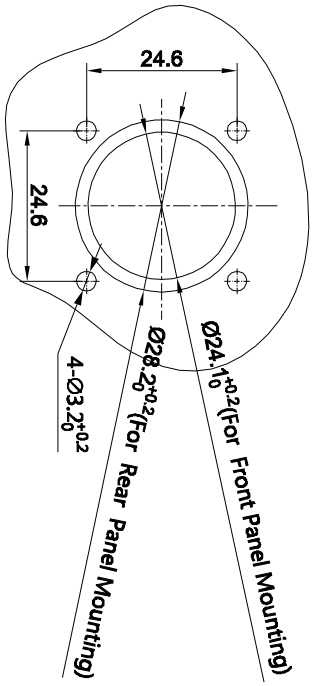


REVISIONS				
REV	ECO	DESCRIPTION	DATE	BY APPR
B1	-	RELEASED DRAWING	JUN-20-2014	BEN TOMMY



- NOTES : (UNLESS OTHERWISE SPECIFIED)
- MATERIAL :  
SHELL : ZINC ALLOY , NICKEL PLATED.  
INSERT : THERMOPLASTIC , UL94 V-0.  
SEAL GASKET : NBR/SILICONE RUBBER.
  - SPECIFICATIONS :  
2.1 RATED CURRENT : 45A (MAX).  
2.2 RATED VOLTAGE : 500V ( AC/DC ).  
2.3 OPERATING TEMPERATURE : SEE CHART.  
2.4 DIELECTRIC WITHSTANDING VOLTAGE : LESS THAN 2 MILLIAMPS CURRENT LEAKAGE@2000 VOLTS AC.  
2.5 INSULATION RESISTANCE : 5000 MEGOHMS MIN.  
2.6 IP--CLASS : IP67.  
2.7 MATING CYCLES DURABILITY : 500 CYCLES MIN.  
2.8 ROHS COMPLIANT.
  - SUITABLE CONTACTS : 8# CONTACTS.
  - ALL DIMENSIONS ARE FOR REFERENCE USE ONLY.



KEY POS	PART NUMBER	TEMPERATURE
N	RT00164P#N	-40°C ~ 125°C
W	RT00164P#W	-40°C ~ 125°C
X	RT00164P#X	-40°C ~ 125°C
Y	RT00164P#Y	-40°C ~ 125°C
Z	RT00164P#Z	-40°C ~ 125°C

QUANTITY	SEE PART NUMBER CHART	PART NUMBER	DESCRIPTION	ITER

UNLESS OTHERWISE SPECIFIED		SIGNATURES		DATE	
1) All dimensions are in millimeters.	2) Tolerances are as follows:	DRAWN:	BEN	JUN 20 2014	
1 Pk. DEC 20 20	1 Pk. DEC 20 20	DESIGNED:			
3 Pk. DEC 20 20	3 Pk. DEC 20 20	ENGINEER:			
3) Note reference =		APPROVAL:			
		CUSTOMER:			

PROCESS SPECIFICATIONS:		MATERIAL SPECIFICATIONS:		THIS DRAWING IS SUPPLIED FOR SPECIFICATIONS AND PERFORMANCE DATA. THE DRAWING AND THE INFORMATION CONTAINED HEREIN ARE THE PROPERTY OF AMPHENOL AND ARE NOT TO BE REPRODUCED OR TRANSMITTED IN ANY FORM OR BY ANY MEANS, ELECTRONIC OR MECHANICAL, INCLUDING PHOTOCOPYING, RECORDING, OR BY ANY INFORMATION STORAGE AND RETRIEVAL SYSTEM, WITHOUT PERMISSION IN WRITING FROM AMPHENOL. ALL RIGHTS ARE RESERVED.	
NEXT ASST:				SIZE	TYPE
				B	C-
				SCALE	NONE
				RT00164P##	REVISION
					B1

**Amphenol**  
Sine Systems - www.amphenol-sine.com  
44724 Morley Drive  
Clinton Township, MI 48038

ECO-MATE RECEPTACLE,  
SIZE 16, 4POS, PIN.

单击下面可查看定价，库存，交付和生命周期等信息

[>>Amphenol\(安费诺\)](#)