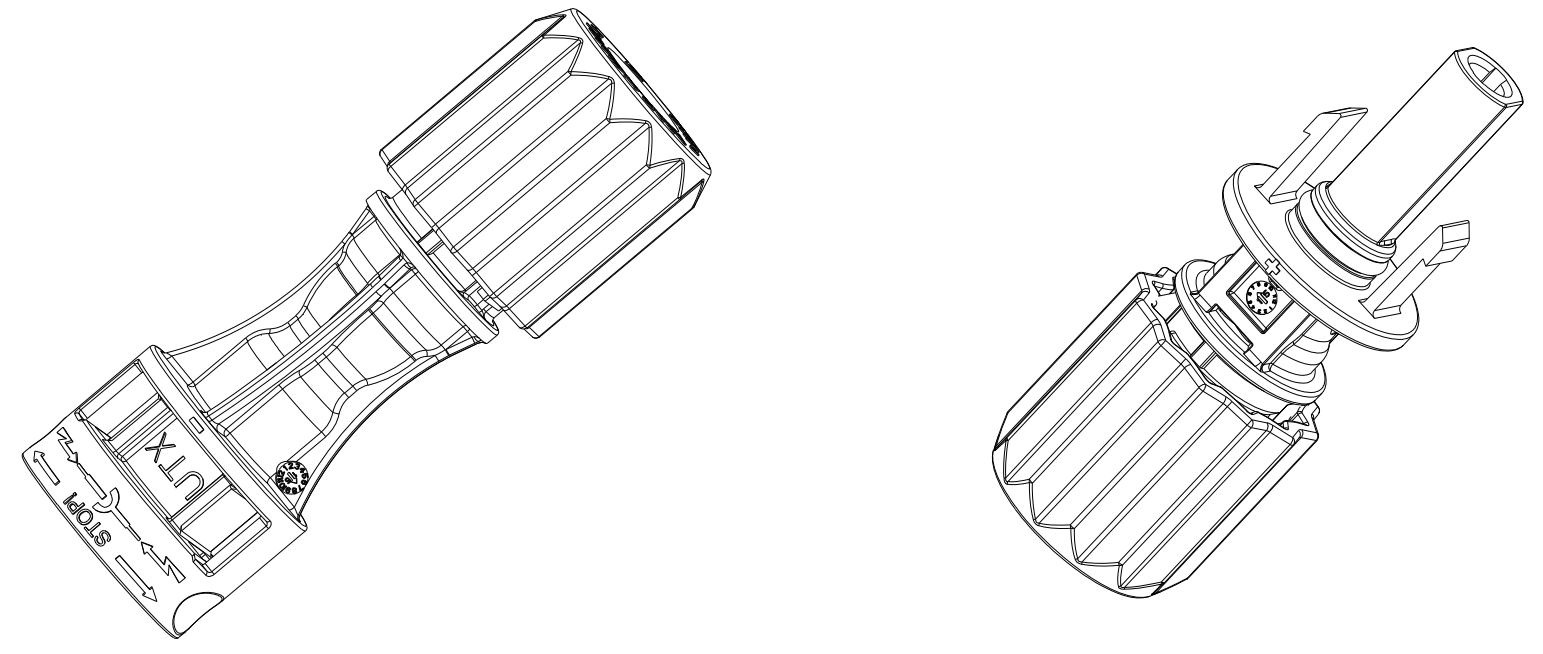


REV. 0	SHEET 1 OF 3	UTXC ()
REVISIONS		
LTR	DESCRIPTION	DATE
B	ADD CABLE RANGE	2015-02-05
C	UPDATE DIMENSION	2015-06-30
D	UPDATE UL RATED VOLTAGE	2015-07-28
E	UPDATE CERTIFICATE LOGO	2015-08-24
F	ADD COLD FORMING CONTACT INFORMATION	2016-03-03
G	ADD THE C&F CONTACT RESISTANCE VALUE	2016-04-20

CUSTOMER DRAWING



3. THE MARK OF LETTERS JUST THE VERSION OF THE PLASTIC PARTS FOR AMPHENOL'S MANUFACTURE PROCEDURE, WHEN THE CUSTOMER INSPECT THE PRODUCT, THEY CAN IGNORE THESE NUMBERS.
 2. SPECIFICATIONS

DESCRIPTIONS	SPECIFICATIONS
RATED CURRENT	CONTACT SIZE
	CERTIFICATE NO.
TUV(85°C)	2.5mm ² /14AWG 31A 42A 53A R 50283691
JET	4.0mm ² /12AWG 30A 40A 50A 1650-C4302-170
UL	6.0mm ² /10AWG 15A 20A 30A E469330
ETL	15A 20A 30A 4010084
RATED SYSTEM VOLTAGE	1000VDC (ETL) 1500VDC (UL/TUV/JET)
DEGREE OF PROTECTION (MATED)	IP68
CONTACT MATERIAL	COPPER, TIN PLATED
INSULATION MATERIAL	THERMOPLASTIC
AMBIENT TEMPERATURE RANGE	-40 °C TO +90 °C
CABLE APPLICABILITY	UL PV WIRE (14/12/10AWG) TUV PVI-F WIRE (2.5/4/6mm ²) S-JET PV-CC WIRE (2.5-6mm ²)
CONTACT RESISTANCE	0.30m Ω TYP FOR S&F CONTACT 0.25m Ω TYP FOR C&F CONTACT
APPLICATION CLASS	CLASS A
FLAMMABILITY RATING	UL94 V-0
CABLE RANGE	Ø 5.3mm TO Ø 7.65mm

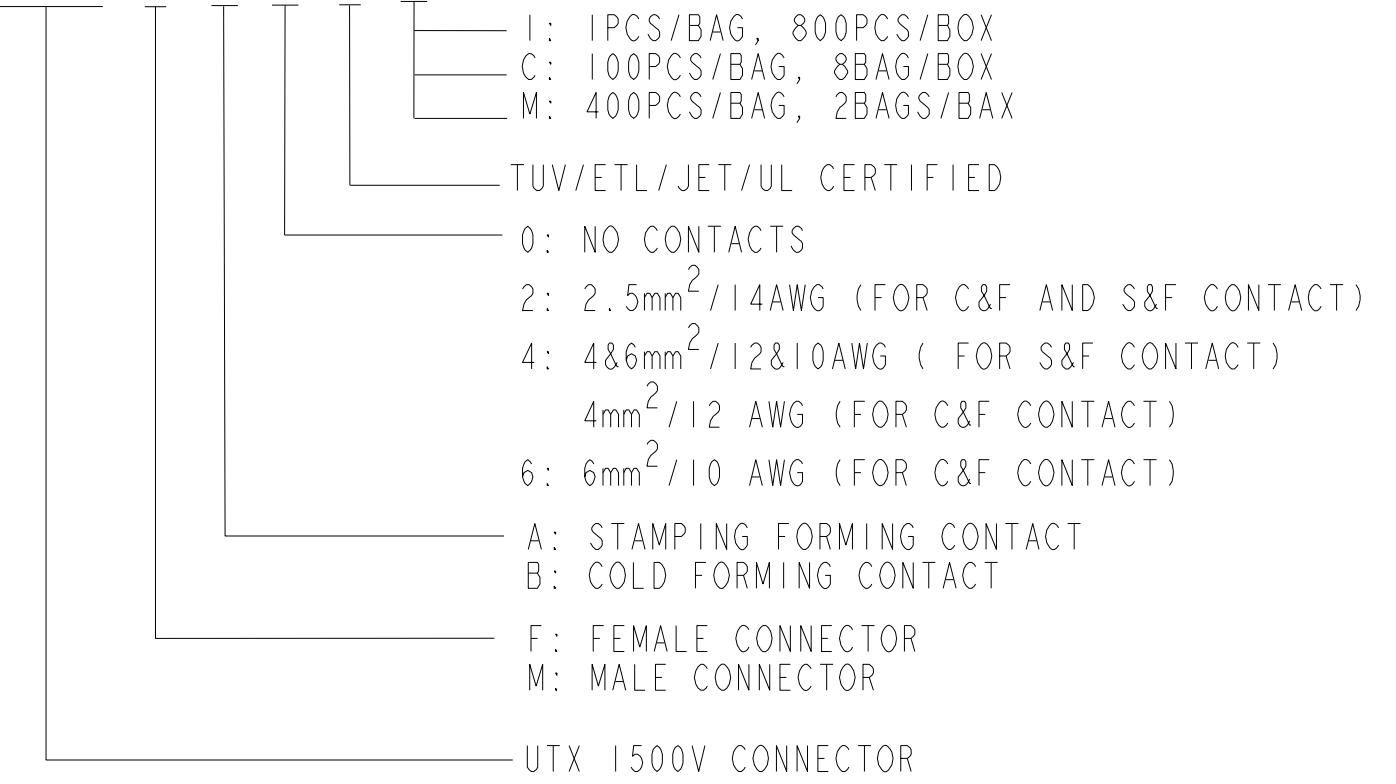
1. USE ONLY CRIMP TOOL AMPHENOL UTXTC0002 FOR STAMPING FORMING CONTACT.

NOTES:
 THIS DOCUMENT CONTAINS PROPRIETARY INFORMATION AND SUCH INFORMATION MAY NOT BE DISCLOSED TO OTHERS FOR ANY PURPOSE OR USED FOR MANUFACTURING PURPOSES WITHOUT WRITTEN PERMISSION FROM THE AMPHENOL CORP.

N/A	PRO/ENGINEER INFORMATION
NEXT ASSEMBLY	Pro/e Model Used: PV-692870-1109-CUS.PART
METRIC DOCUMENT	Drawing Name: PV-692870-1109-CUS

ORDER P/N IN SYSTEM

C/N: UTXC F A 2 A M



UNLESS OTHERWISE SPECIFIED	SPECIFICATIONS	POS	QTY	PART NUMBER	DESCRIPTION	NOTE
LINEAR DIMENSIONS ARE IN: MILLIMETERS TOLERANCES: ANGLES= ±2° DEFAULT LINEAR TOLERANCES SEE TABLE DIM. & TOL. PER ASME Y14.5M-1994; DRM PER MIL-DTL-31000; OTHER AMPHENOL STANDARDS: 9-9318 LEGENDS: △=FLAG NOTE CALL OUT REFERENCE ONLY	MATERIAL SPEC.	PARTS LIST				
	N/A	Amphenol Technology (ShenZhen) Co., Ltd. Building C, 2nd Industrial Zone of Xia Shi Jia, Jiangshi Community, Gongming Sub-district, Guangming New District, Shenzhen, PRC				
PROCESS SPEC.	UTX CONNECTOR CUSTOMER DRAWING SIZE: C CAGE CODE: / DOCUMENT NO.: UTXC ()					
N/A	THIRD ANGLE PROJECTION SCALE: 1.0 SHEET 1 OF 3					

UTXC () SHEET 1 OF 3 REV. 0

C

B

A

D

C

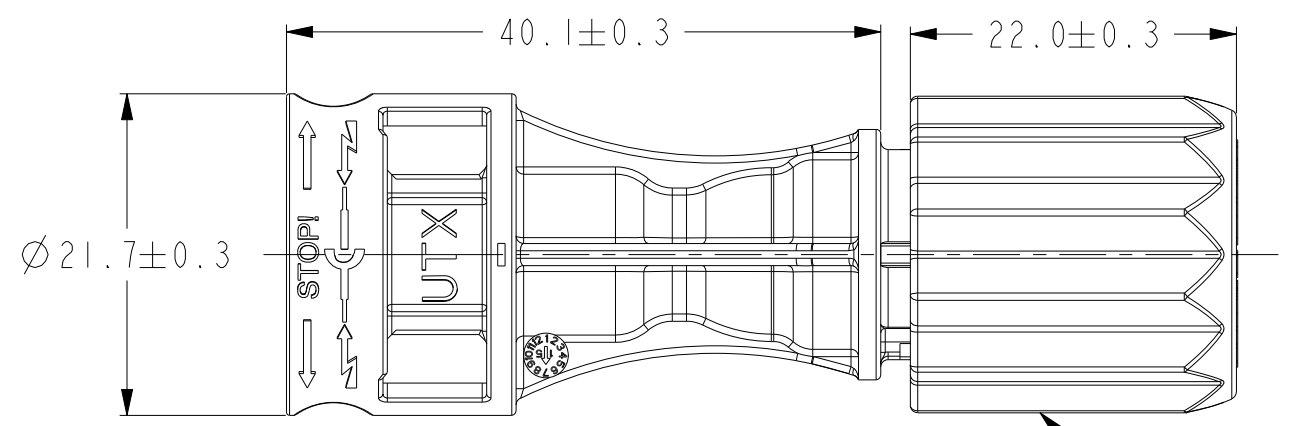
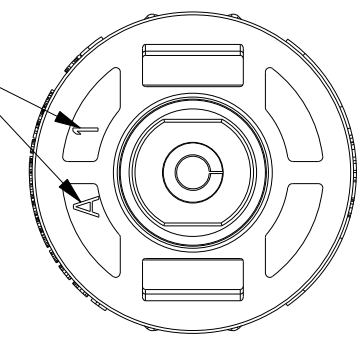
REV. 0

SHEET 1 OF 3

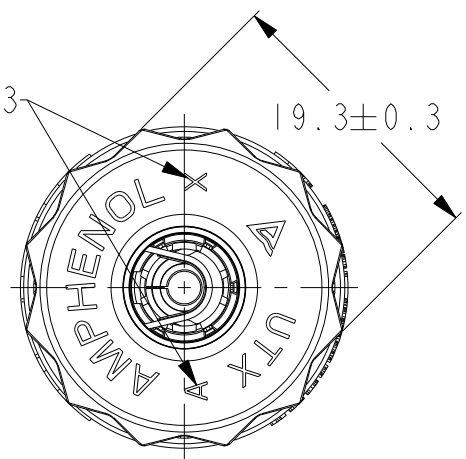
UTXC ()

A

SEE NOTES 3



SEE NOTES 3

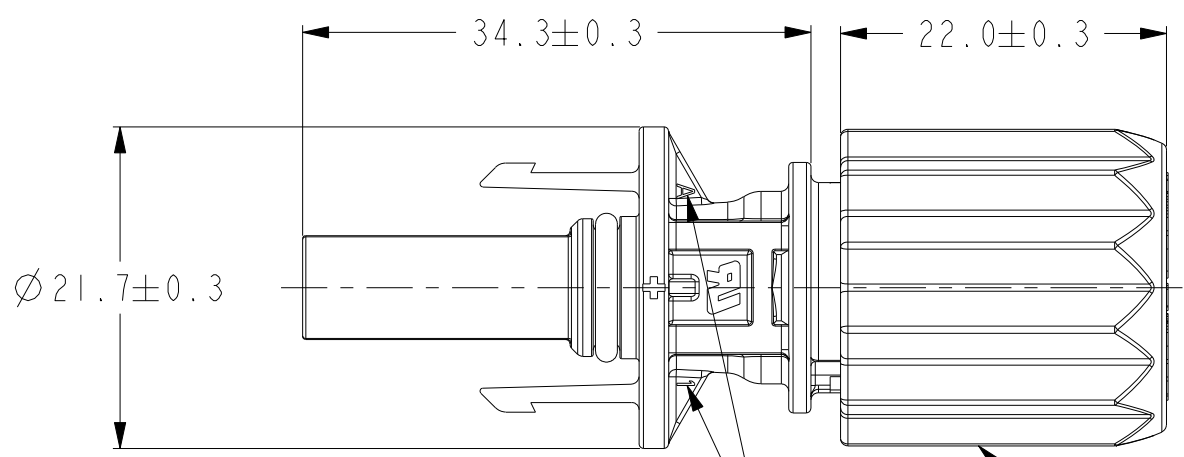
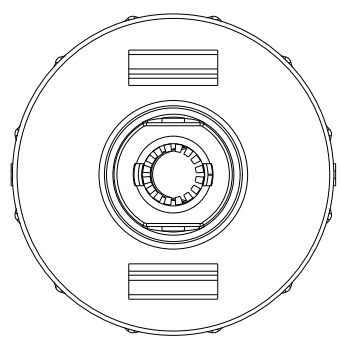


WRENCH TOOL: UTXTWA001

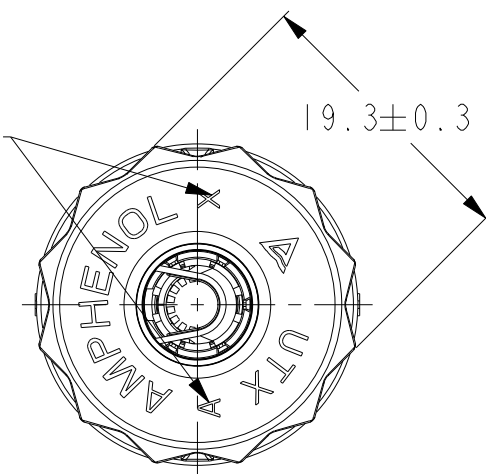
MALE END

C

B



SEE NOTES 3



SEE NOTES 3

WRENCH TOOL: UTXTWA001

FEMALE END

A

NOTES:

THIS DOCUMENT CONTAINS PROPRIETARY INFORMATION AND SUCH INFORMATION MAY NOT BE DISCLOSED TO OTHERS FOR ANY PURPOSE OR USED FOR MANUFACTURING PURPOSES WITHOUT WRITTEN PERMISSION FROM THE AMPHENOL CORP.

SIZE C	CAGE CODE /	DOCUMENT NO. UTXC ()	REV. G
SCALE: 1.0		REF:	SHEET 2 OF 3

D

C

B

A

A

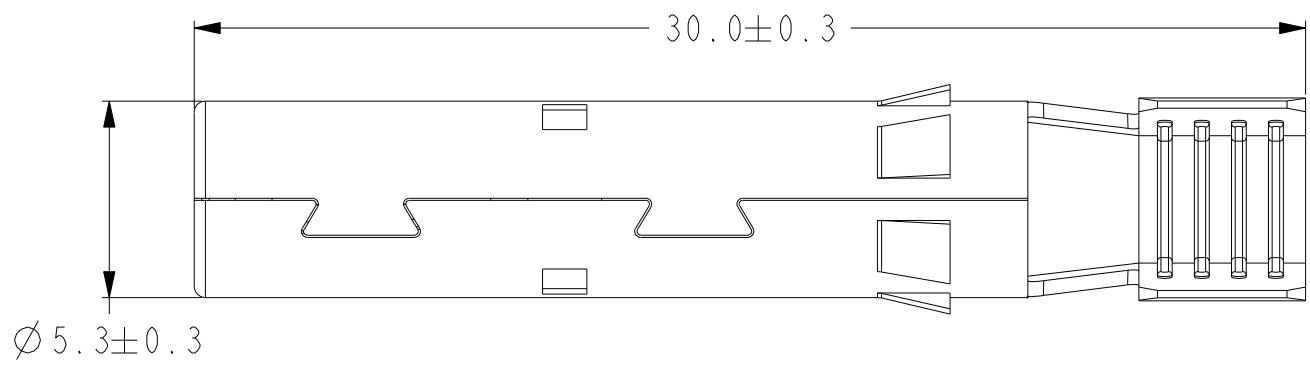
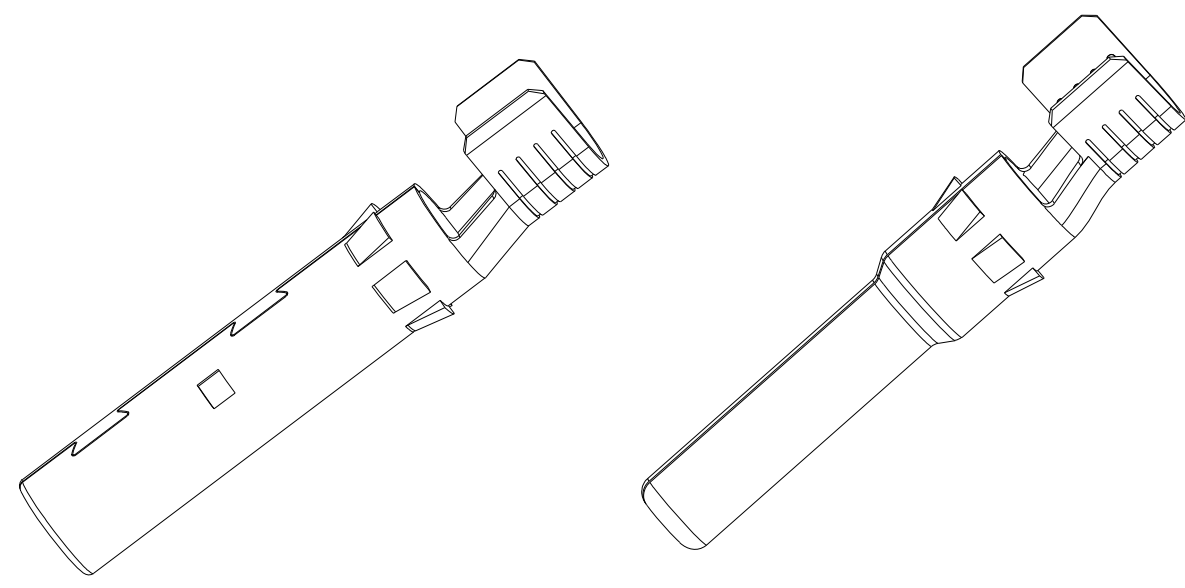
A

REV. **G**

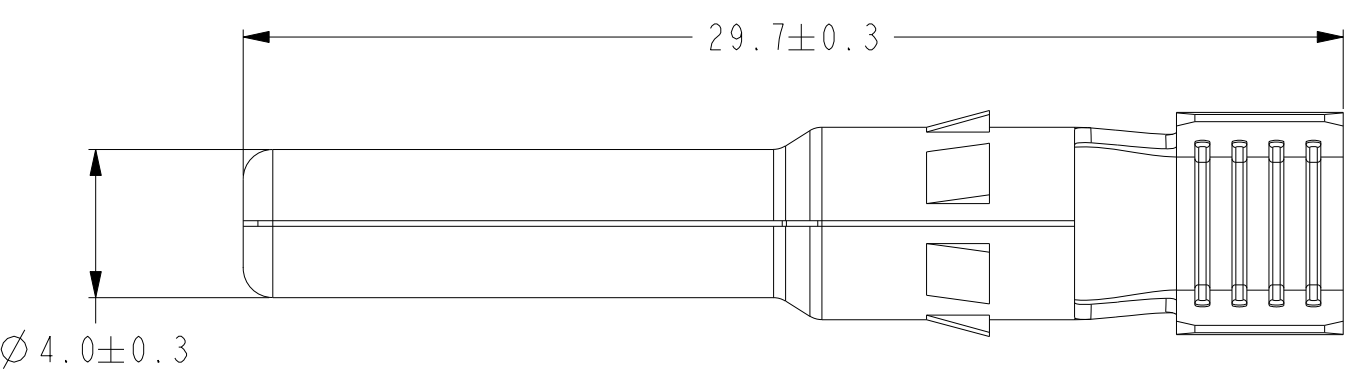
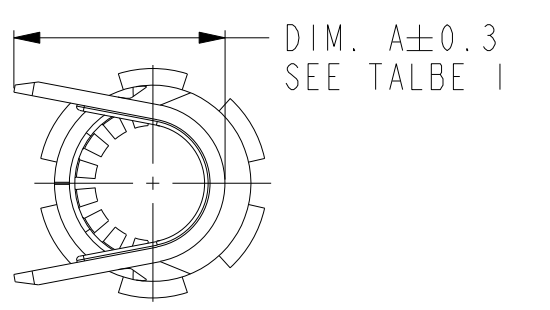
SHEET 2 OF 3

DOCUMENT NO. **UTXC ()**

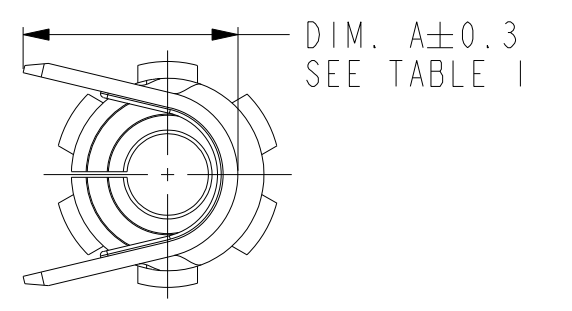
STAMPING FORMING CONTACT



PIN

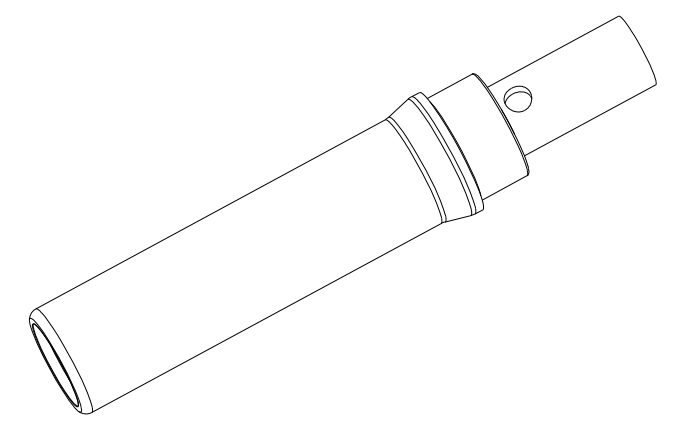


SOCKET



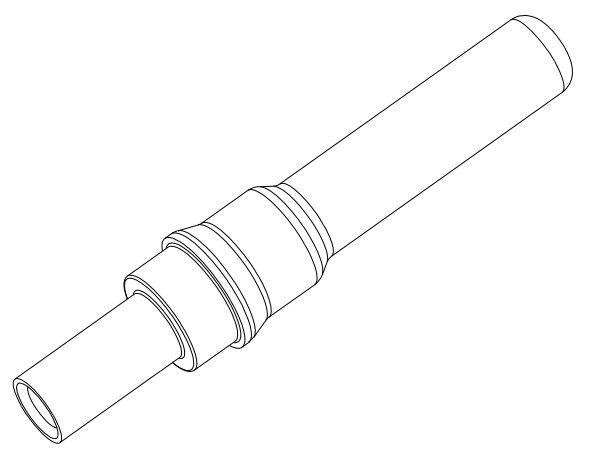
CABLE SIZE	A (mm)
1.5mm ² & 2.5mm ²	4.8
4.0mm ² & 6.0mm ²	5.8

COLD FORMING CONTACT



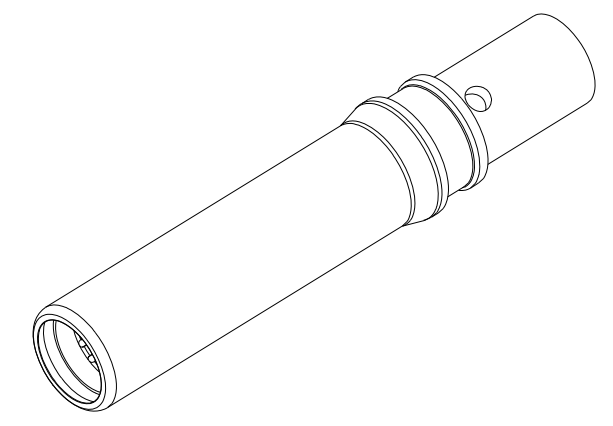
2.5mm² (14 AWG) PROFILE SHOW

ACCEPT WIRE CONDUCTOR SIZE mm ² (AWG)	"A"	"B"
2.5 (14)	2.30	3.50
4.0 (12)	3.05	4.60
6.0 (10)	3.75	5.25

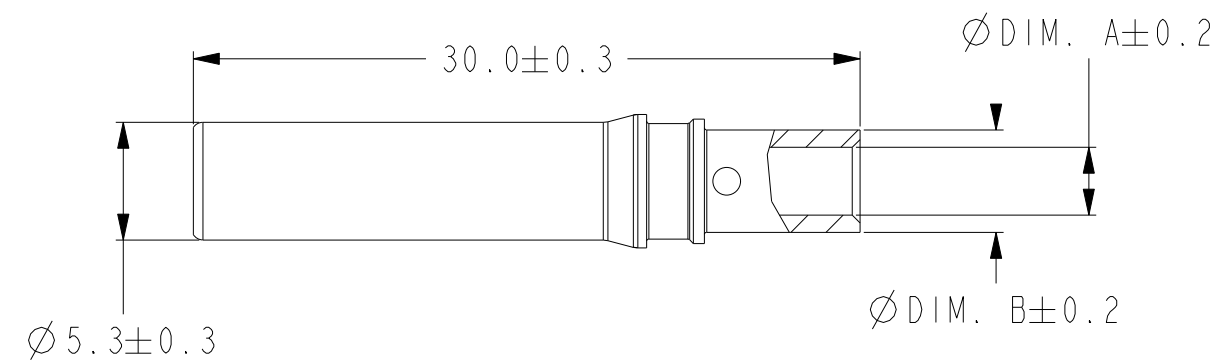


2.5mm² (14 AWG) PROFILE SHOW

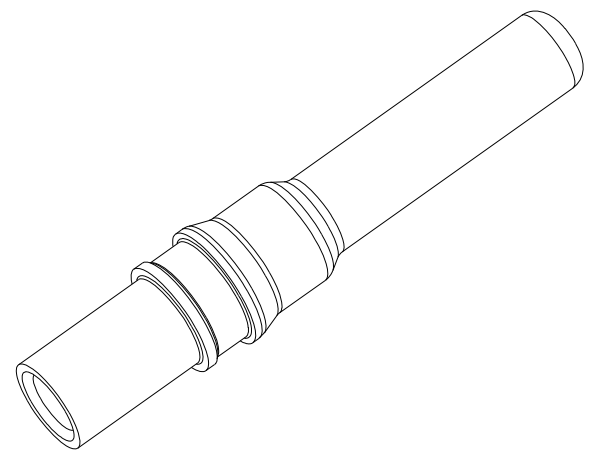
ACCEPT WIRE CONDUCTOR SIZE mm ² (AWG)	"C"	"D"
2.5 (14)	2.30	3.50
4.0 (12)	3.05	4.60
6.0 (10)	3.75	5.25



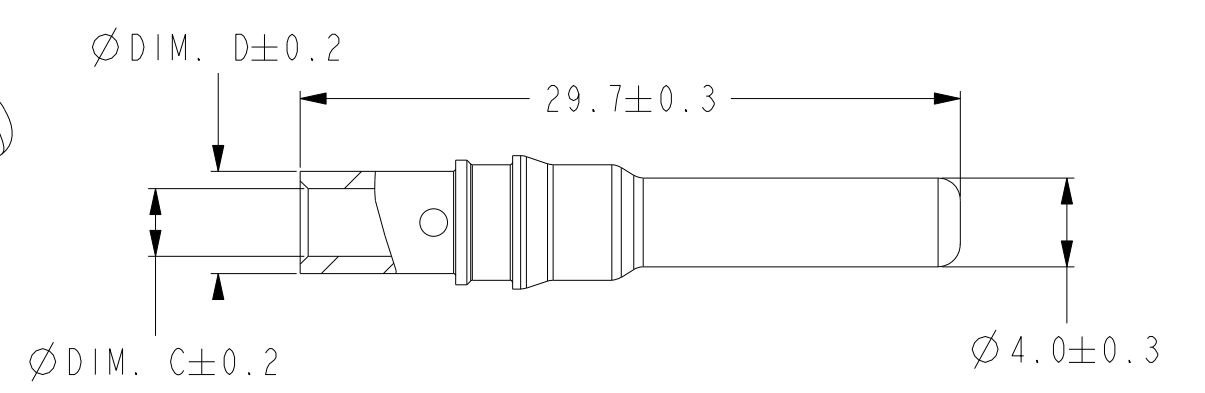
4mm² (12 AWG); 6mm² (10 AWG) PROFILE SHOW



SOCKET



4mm² (12 AWG); 6mm² (10 AWG) PROFILE SHOW



PIN

NOTES:

THIS DOCUMENT CONTAINS PROPRIETARY INFORMATION AND SUCH INFORMATION MAY NOT BE DISCLOSED TO OTHERS FOR ANY PURPOSE OR USED FOR MANUFACTURING PURPOSES WITHOUT WRITTEN PERMISSION FROM THE AMPHENOL CORP.

SIZE C	CAGE CODE /	DOCUMENT NO. UTXC ()	REV. G
SCALE: 1.0		REF:	SHEET 3 OF 3

单击下面可查看定价，库存，交付和生命周期等信息

[>>Amphenol\(安费诺\)](#)