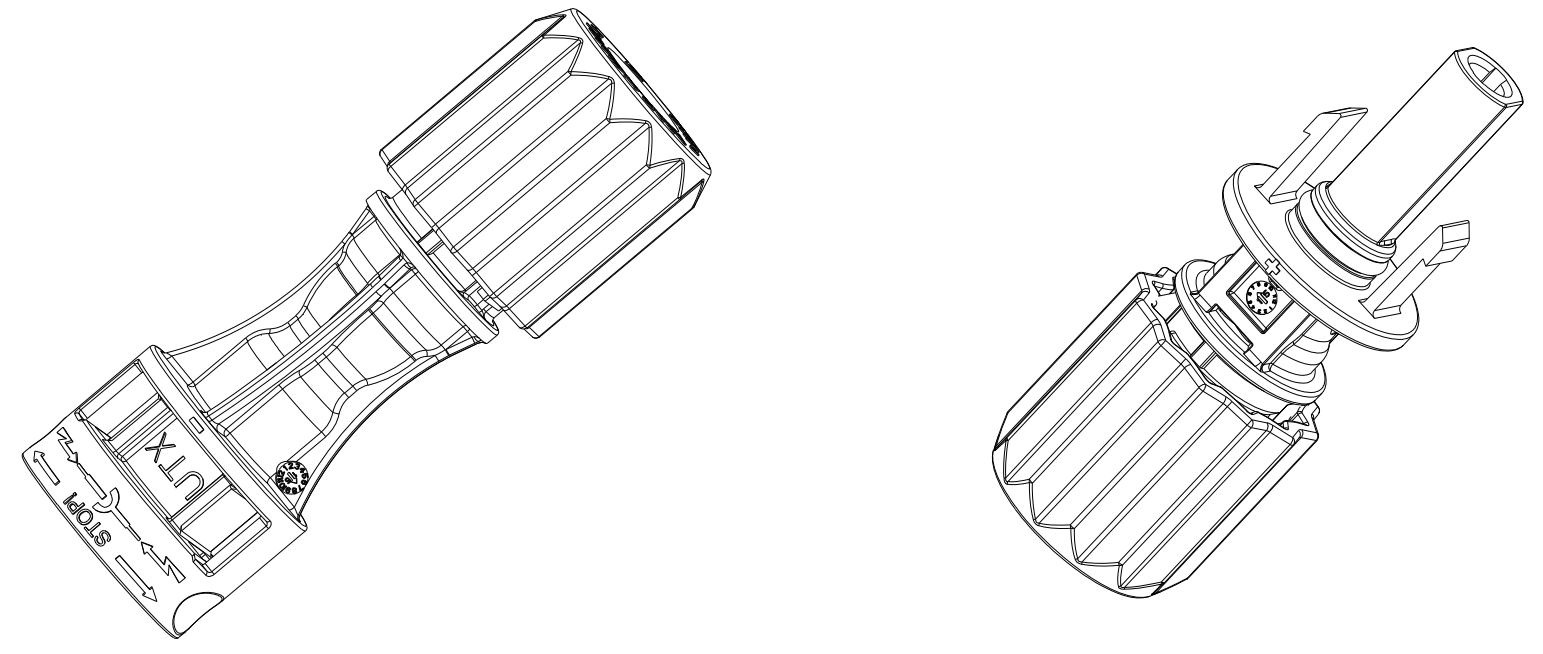


| REV. G | SHEET 1 OF 3 | UTXC () |
|-----------|--------------------------------------|------------|
| REVISIONS | | |
| LTR | DESCRIPTION | DATE |
| B | ADD CABLE RANGE | 2015-02-05 |
| C | UPDATE DIMENSION | 2015-06-30 |
| D | UPDATE UL RATED VOLTAGE | 2015-07-28 |
| E | UPDATE CERTIFICATE LOGO | 2015-08-24 |
| F | ADD COLD FORMING CONTACT INFORMATION | 2016-03-03 |
| G | ADD THE C&F CONTACT RESISTANCE VALUE | 2016-04-20 |

CUSTOMER DRAWING



3. THE MARK OF LETTERS JUST THE VERSION OF THE PLASTIC PARTS FOR AMPHENOL'S MANUFACTURE PROCEDURE, WHEN THE CUSTOMER INSPECT THE PRODUCT, THEY CAN IGNORE THESE NUMBERS.
 2. SPECIFICATIONS

| DESCRIPTIONS | SPECIFICATIONS |
|------------------------------|--|
| RATED CURRENT | CONTACT SIZE |
| | CERTIFICATE NO. |
| TUV(85°C) | 2.5mm ² /14AWG 31A 42A 53A R 50283691 |
| JET | 4.0mm ² /12AWG 30A 40A 50A 1650-C4302-170 |
| UL | 6.0mm ² /10AWG 15A 20A 30A E469330 |
| ETL | 15A 20A 30A 4010084 |
| RATED SYSTEM VOLTAGE | 1000VDC (ETL) 1500VDC (UL/TUV/JET) |
| DEGREE OF PROTECTION (MATED) | IP68 |
| CONTACT MATERIAL | COPPER, TIN PLATED |
| INSULATION MATERIAL | THERMOPLASTIC |
| AMBIENT TEMPERATURE RANGE | -40 °C TO +90 °C |
| CABLE APPLICABILITY | UL PV WIRE (14/12/10AWG) TUV PVI-F WIRE (2.5/4/6mm ²) S-JET PV-CC WIRE (2.5-6mm ²) |
| CONTACT RESISTANCE | 0.30m Ω TYP FOR S&F CONTACT 0.25m Ω TYP FOR C&F CONTACT |
| APPLICATION CLASS | CLASS A |
| FLAMMABILITY RATING | UL94 V-0 |
| CABLE RANGE | Ø 5.3mm TO Ø 7.65mm |

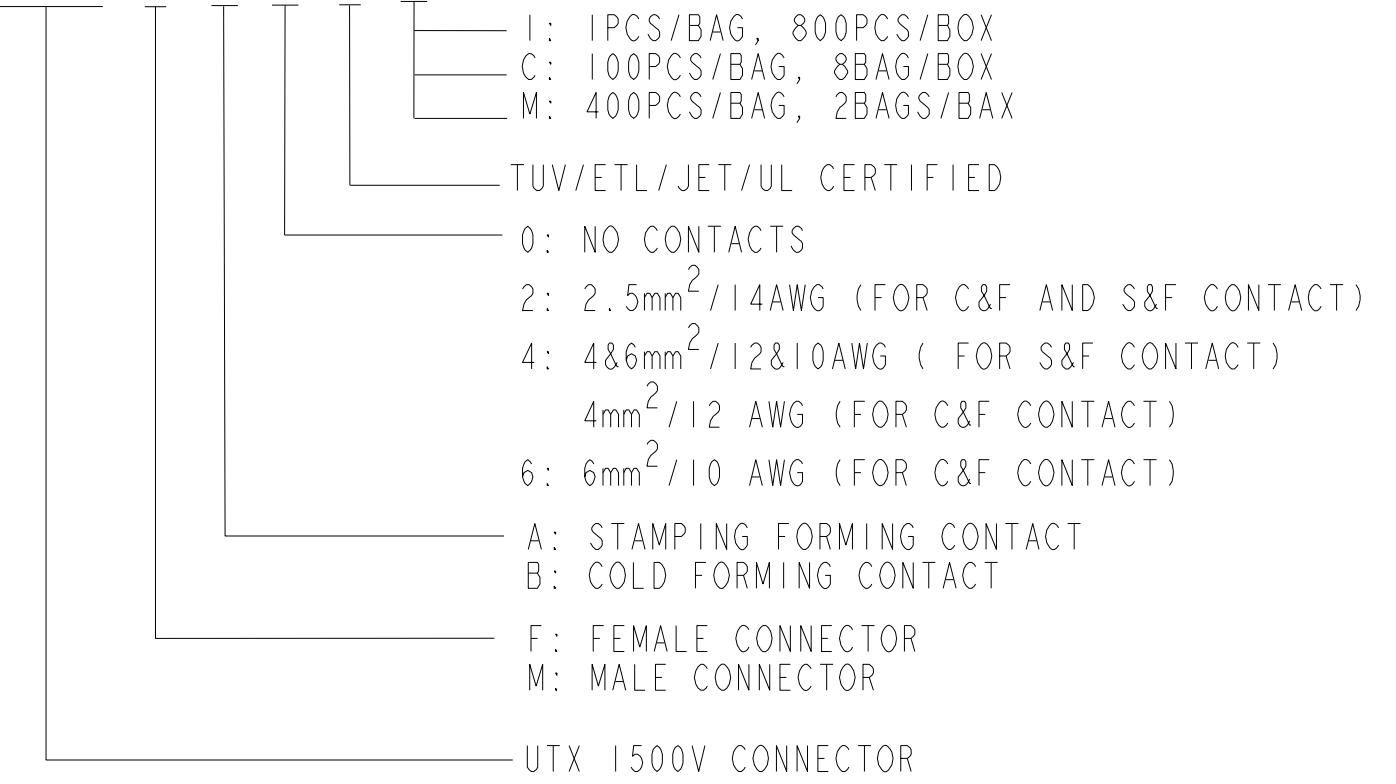
1. USE ONLY CRIMP TOOL AMPHENOL UTXTC0002 FOR STAMPING FORMING CONTACT.

NOTES:
 THIS DOCUMENT CONTAINS PROPRIETARY INFORMATION AND SUCH INFORMATION MAY NOT BE DISCLOSED TO OTHERS FOR ANY PURPOSE OR USED FOR MANUFACTURING PURPOSES WITHOUT WRITTEN PERMISSION FROM THE AMPHENOL CORP.

| | |
|------------------------|--|
| N/A | PRO/ENGINEER INFORMATION |
| NEXT ASSEMBLY | Pro/e Model Used: PV-692870-1109-CUS.PART |
| METRIC DOCUMENT | Drawing Name: PV-692870-1109-CUS |

ORDER P/N IN SYSTEM

C/N: UTXC F A 2 A M



| UNLESS OTHERWISE SPECIFIED | SPECIFICATIONS | POS | QTY | PART NUMBER | DESCRIPTION | NOTE |
|--|--|--|-----|-------------|-------------|------|
| LINEAR DIMENSIONS ARE IN: MILLIMETERS TOLERANCES: ANGLES= ±2° DEFAULT LINEAR TOLERANCES SEE TABLE DIM. & TOL. PER ASME Y14.5M-1994; DRG PER MIL-DTL-31000; OTHER AMPHENOL STANDARDS: 9-9318 LEGENDS: △=FLAG NOTE CALL OUT REFERENCE ONLY | MATERIAL SPEC. | PARTS LIST | | | | |
| | N/A | Amphenol Technology (ShenZhen) Co., Ltd. Building C, 2nd Industrial Zone of Xia Shi Jia, Jiangshi Community, Gongming Sub-district, Guangming New District, Shenzhen, PRC | | | | |
| PROCESS SPEC. | UTX CONNECTOR CUSTOMER DRAWING | | | | | |
| N/A | APPROVALS: PREPARED BY Johnny Wang, ENGINEER IN CHARGE; DESIGN MANAGER Allen Wan; DESIGN ACTIVITY GROUP; DATE 2014-04-09; THIRD ANGLE PROJECTION | | | | | |
| SIZE: C / CAGE CODE: / / DOCUMENT NO.: UTXC () / REV.: G | | SCALE: 1.0 / SHEET 1 OF 3 | | | | |

DOCUMENT NO. UTXC ()
 SHEET 1 OF 3
 REV. G

C

B

A

FORMAT: C-L-E-Rev.B
 UTXC ()
 SHEET 1 OF 3
 REV. G

D

C

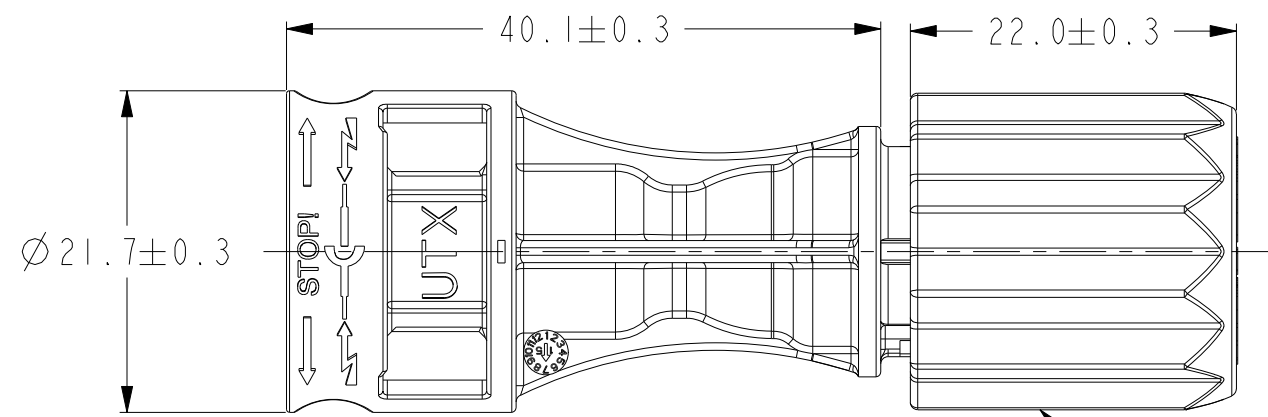
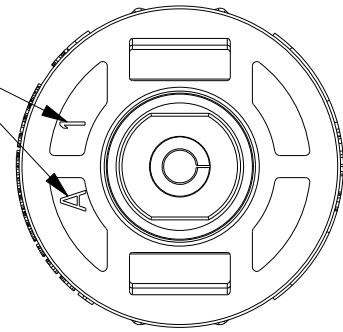
REV. G

SHEET 1 OF 3
 UTXC ()

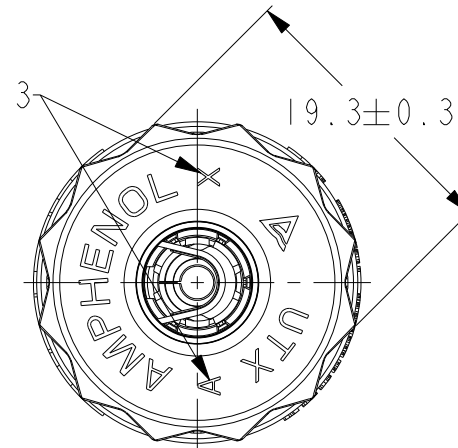
UTXC ()

A

SEE NOTES 3



SEE NOTES 3



WRENCH TOOL: UTXTWA001

MALE END

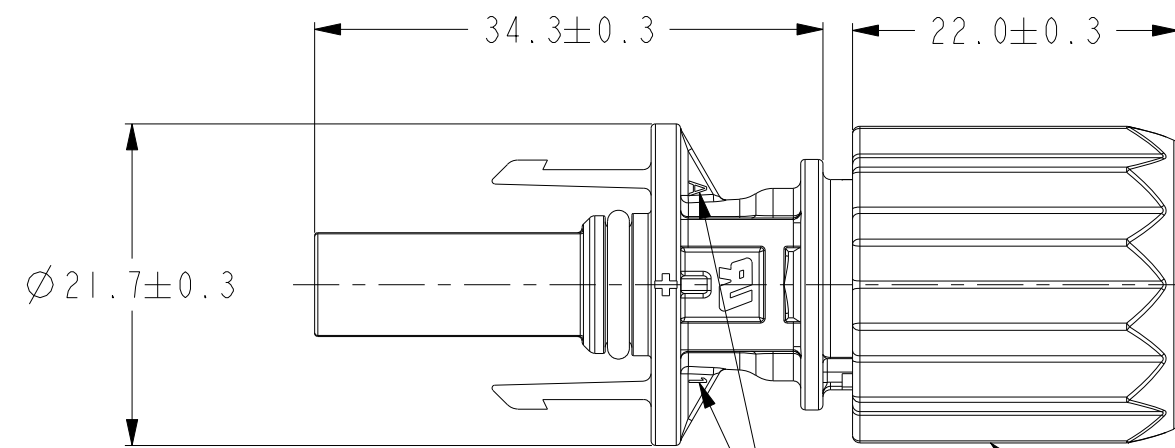
C

B

A

NOTES:

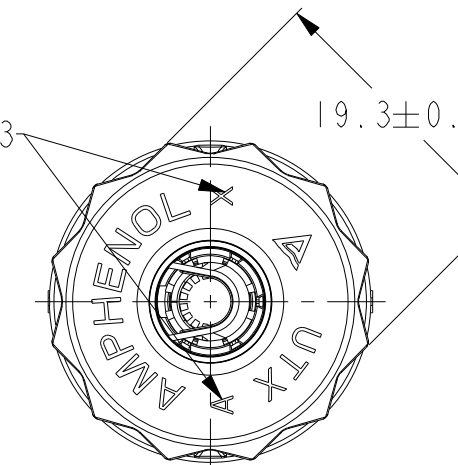
THIS DOCUMENT CONTAINS PROPRIETARY INFORMATION AND SUCH INFORMATION MAY NOT BE DISCLOSED TO OTHERS FOR ANY PURPOSE OR USED FOR MANUFACTURING PURPOSES WITHOUT WRITTEN PERMISSION FROM THE AMPHENOL CORP.



SEE NOTES 3

WRENCH TOOL: UTXTWA001

SEE NOTES 3



FEMALE END

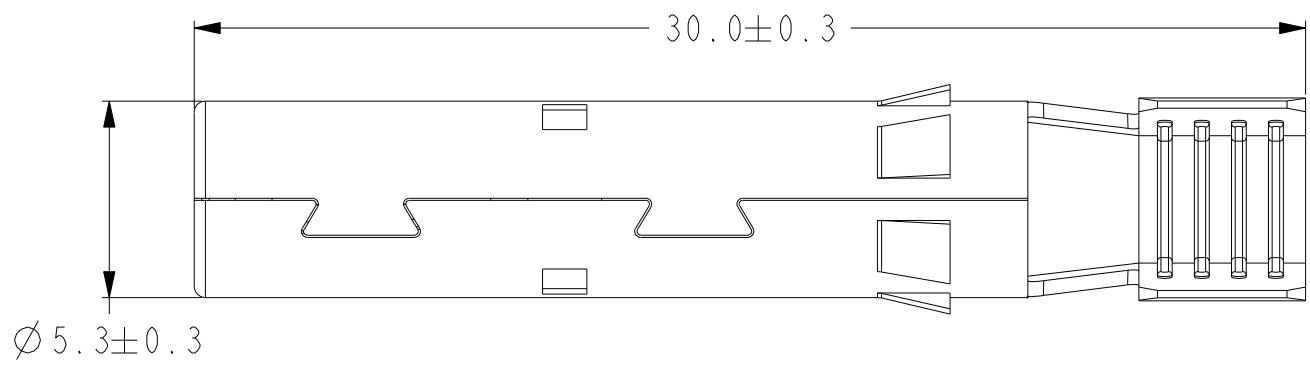
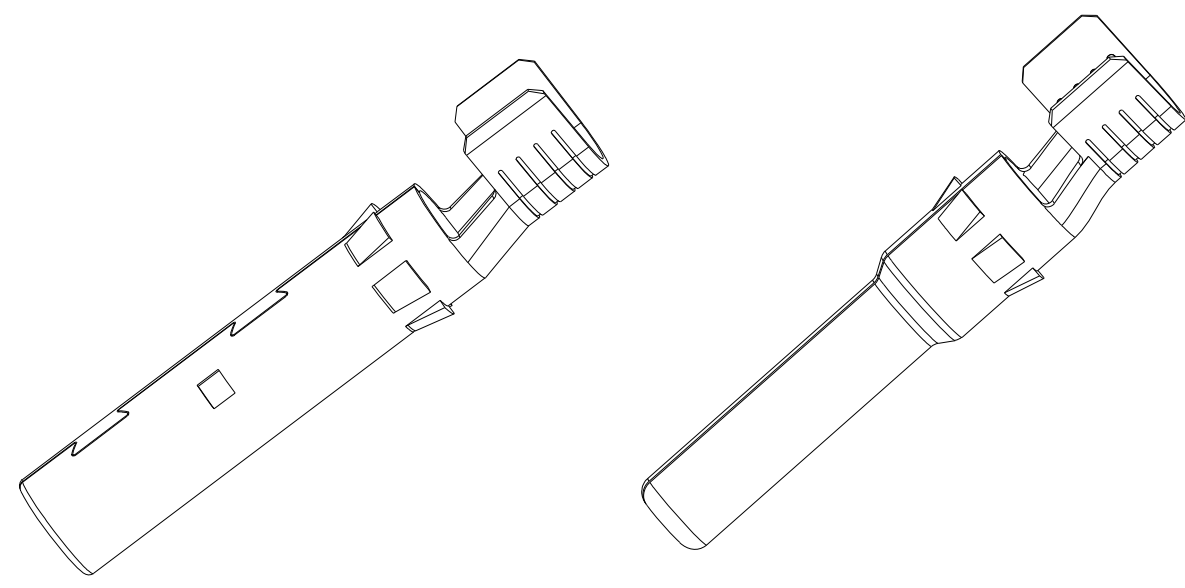
D

C

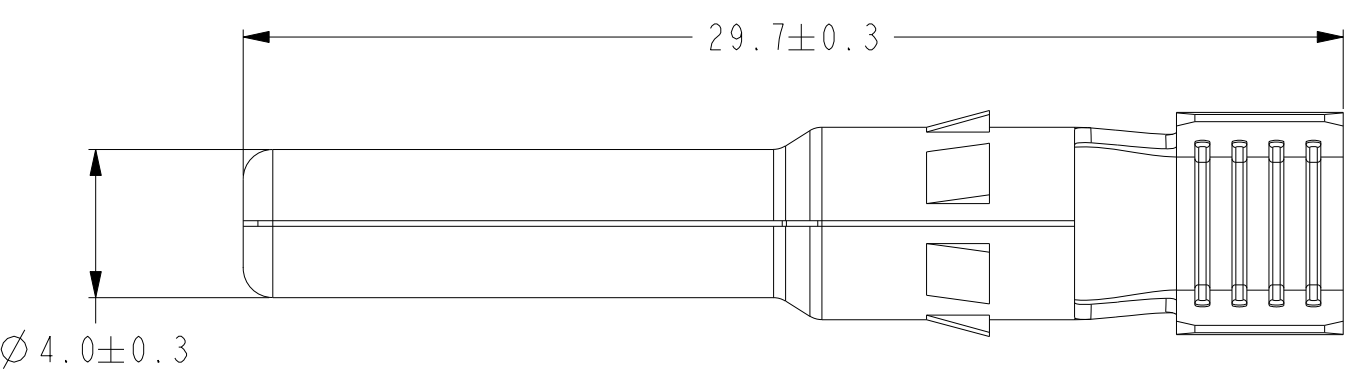
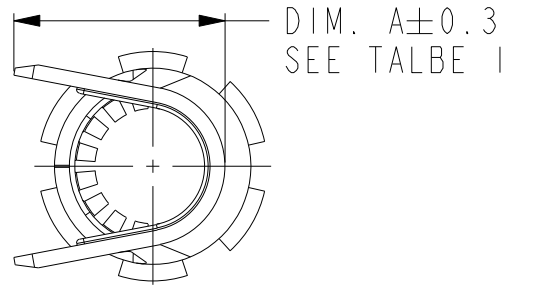
B

A

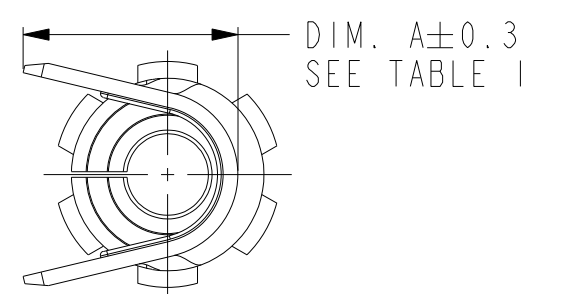
STAMPING FORMING CONTACT



PIN

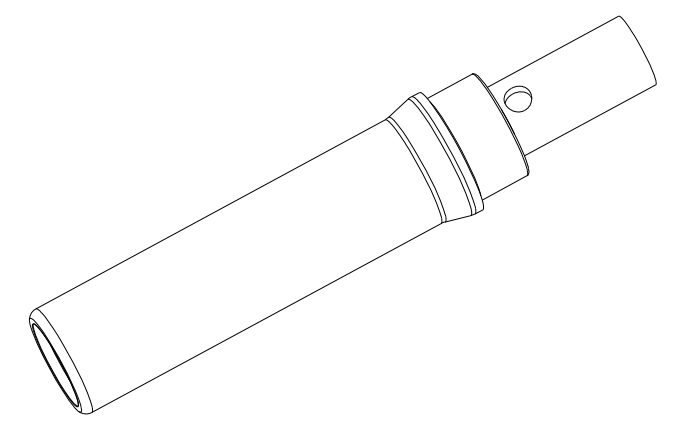


SOCKET



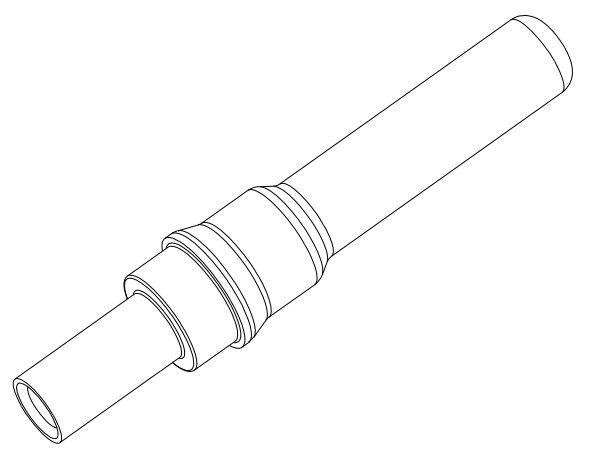
| CABLE SIZE | A (mm) |
|---|--------|
| 1.5mm ² & 2.5mm ² | 4.8 |
| 4.0mm ² & 6.0mm ² | 5.8 |

COLD FORMING CONTACT



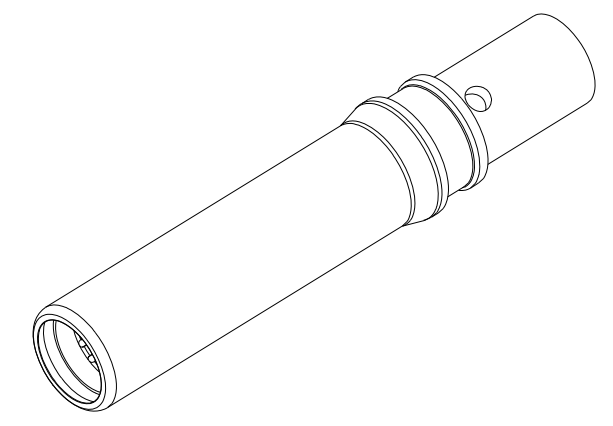
2.5mm² (14 AWG) PROFILE SHOW

| ACCEPT WIRE CONDUCTOR SIZE mm ² (AWG) | "A" | "B" |
|--|------|------|
| 2.5 (14) | 2.30 | 3.50 |
| 4.0 (12) | 3.05 | 4.60 |
| 6.0 (10) | 3.75 | 5.25 |

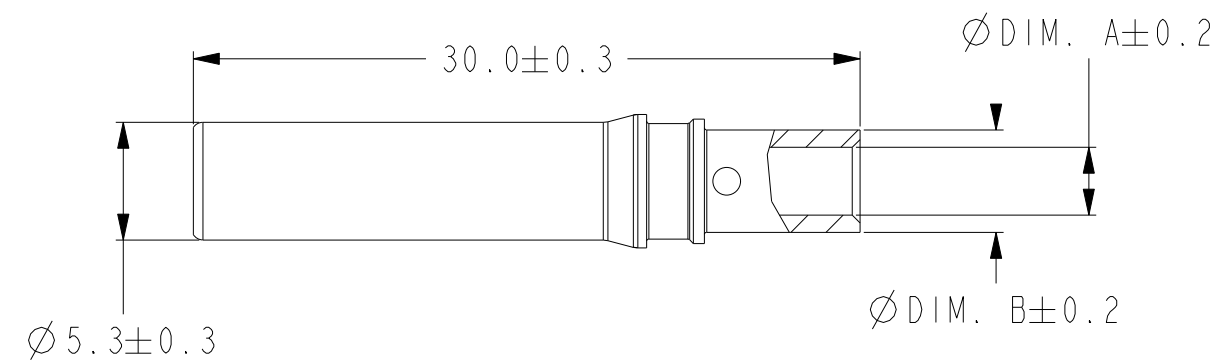


2.5mm² (14 AWG) PROFILE SHOW

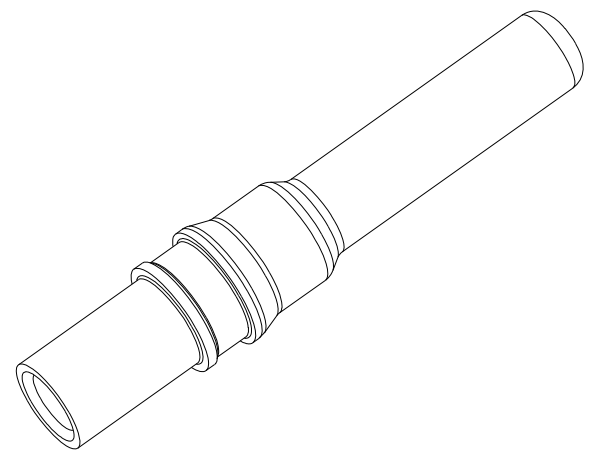
| ACCEPT WIRE CONDUCTOR SIZE mm ² (AWG) | "C" | "D" |
|--|------|------|
| 2.5 (14) | 2.30 | 3.50 |
| 4.0 (12) | 3.05 | 4.60 |
| 6.0 (10) | 3.75 | 5.25 |



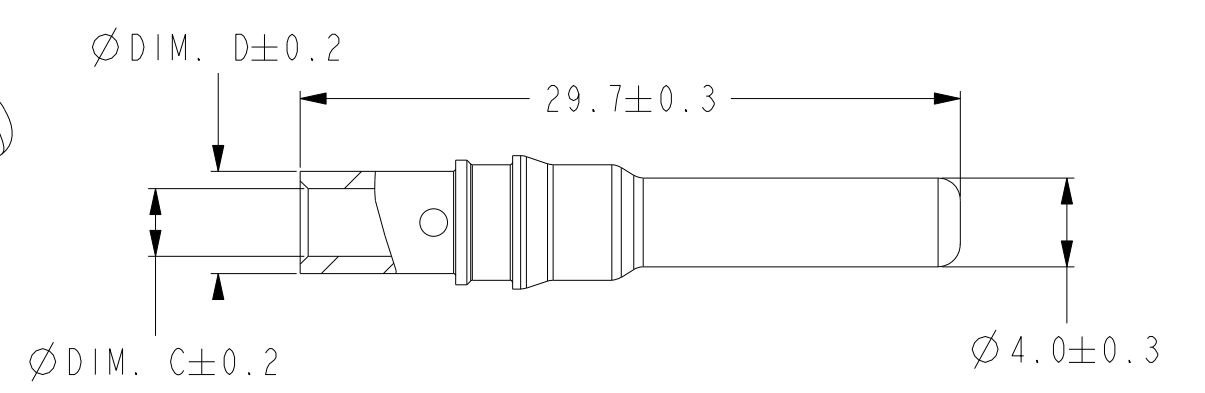
4mm² (12 AWG); 6mm² (10 AWG) PROFILE SHOW



SOCKET



4mm² (12 AWG); 6mm² (10 AWG) PROFILE SHOW



PIN

NOTES:

THIS DOCUMENT CONTAINS PROPRIETARY INFORMATION AND SUCH INFORMATION MAY NOT BE DISCLOSED TO OTHERS FOR ANY PURPOSE OR USED FOR MANUFACTURING PURPOSES WITHOUT WRITTEN PERMISSION FROM THE AMPHENOL CORP.

单击下面可查看定价，库存，交付和生命周期等信息

[>>Amphenol\(安费诺\)](#)