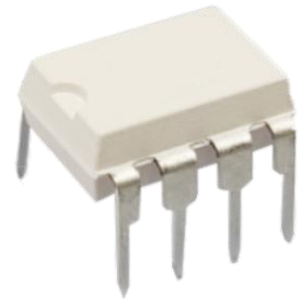


YDS1/2006——2A 60V Opto-MOS

概述 Features

- 负载电流至2A Load current up to 2A
- 击穿电压60V Breakdown voltage 60V
- 介质耐压4000V Dielectric strength 4000V
- 符合RoHS RoHS compliant

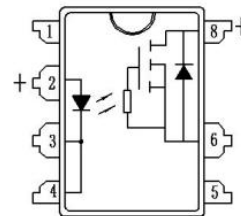


应用 Applications

- 高速检测设备 High-speed inspection machines
- 程控交换设备 Telephone equipment
- 计算机 Computer

打印标志 Marking information

Part number	Package	Marking
YDS1/2006	DIP7	YDS1 2006
YDS1/2006S	SMD7	YDS1 2006



极限值 Absolute maximum ratings

(Ta=25°C)

特性参数/Parameter		符号/Symbol	测试条件/Test condition	最小值/Min.	典型值/Typ.	最大值/Max.	单位/Unit
输入端/Input	LED 反向电压/LED reverse voltage	V_R		6			V
	LED 正向电流/LED forward current	I_F				50	mA
	功耗/Power dissipation	P_{in}				50	mW
输出端/Output	击穿电压/ Breakdown voltage	BV_{DSS}		60			V
	功耗/Power dissipation	P_{out}				900	mW
	额定电流/On-state current	I_L	$I_{in}=10mA$			2	A
	峰值电流/Peak current	I_{peak}	100ms (1 shot), VL=DC		4		A
介质耐压/Dielectric strength *		V_{ISO}	$I_{ISO} \leq 0.3mA$	4000			V_{rms}
工作温度/Operating temperature		T_{opr}		-30		85	°C
储存温度/Storage temperature		T_{stg}		-40		125	°C

*: RH=40 to 60%, T=20~30°C, AC for 1minute.

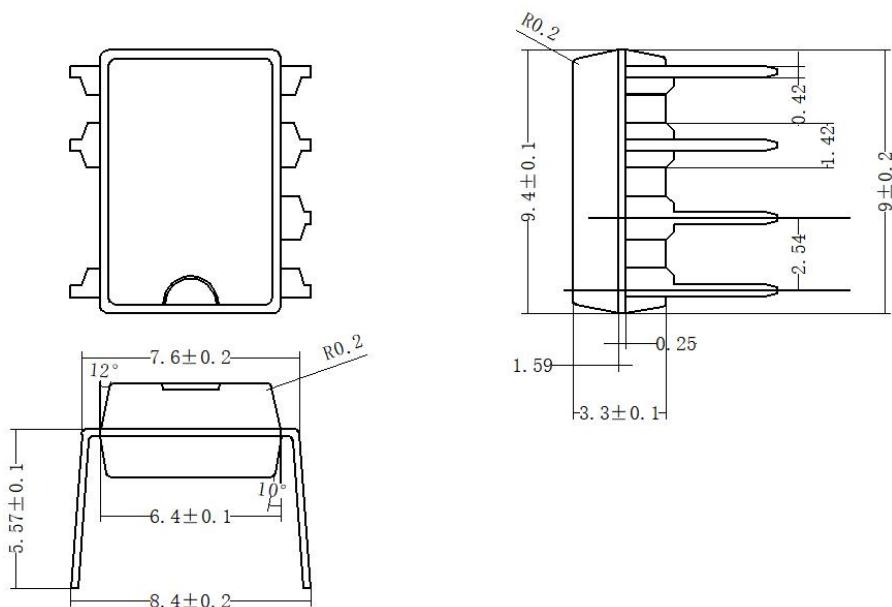
电参数 Electrical parameters

(Ta=25℃)

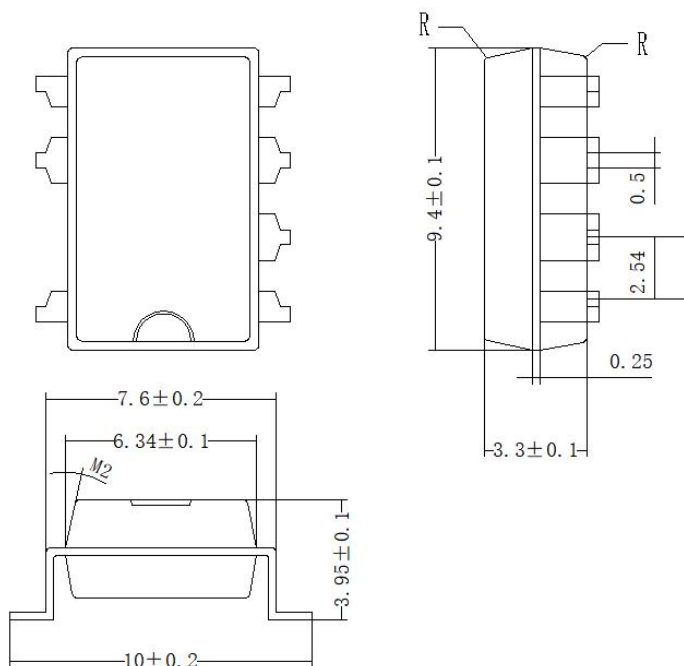
特性参数/Parameter		符号 /Symbol	测试条件 /Test condition	最小 值 /Min.	典型值 /Typ.	最大值 /Max.	单位 /Unit
输入端/Input	LED 正向电压 /LED forward voltage	V_F	$I_F=10mA$		1.2	1.3	V
	LED 反向电流/LED reverse current	I_R	$V_R=5V$			10	μA
输出端/Output	断态泄漏电流/Output off-state leakage current	I_{Leak}	$V_o=60V$			10	μA
耦合特性 /Transfer characteristics	LED 触发电流/LED trigger current	I_{FT}			3	8	mA
	推荐的工作电流 /Recommend operating current	I_{in}		10		18	mA
	导通电阻/Output on-state resistance	R_{on}	$I_{in}=10mA, I_D=2A$			0.3	Ω
	导通时间/Turn on time	T_{on}	$I_{in}=10mA, I_D=400mA$			2	ms
	关断时间/Turn off time	T_{off}	$I_{in}=10mA, I_D=400mA$			1	ms
	电容/I/O capacitance	C				10	pF

外形尺寸 Outline dimension :mm

1、DIP7



2、SMD7



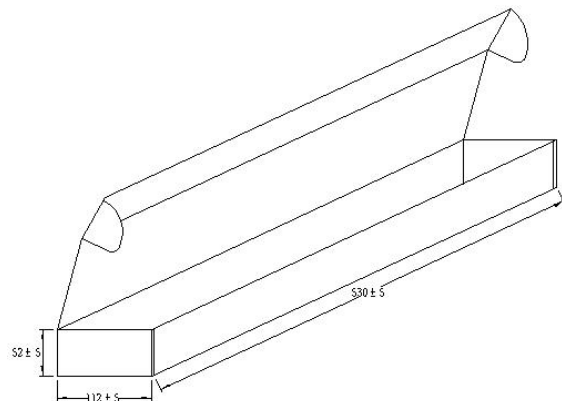
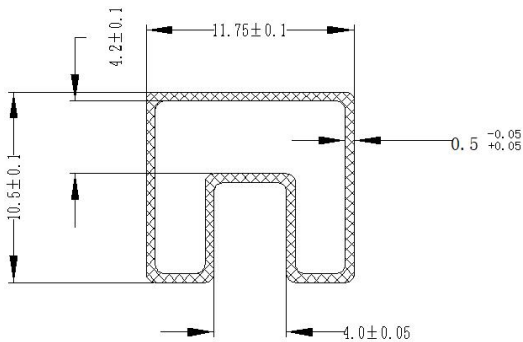
订货信息 Ordering information

订货信息/Ordering information						
	Y	DS1	B/	200	6	D/S
公司商标代号 Company symbol						
DIP7 MOS 直流输出: DIP7 MOS DC Output SSR						
常开型 N.O.: 默认 Nil 常闭型 N.C.: B						
负载电流 Load current: 30-300mA ;200-2A ;以此类推						
击穿电压 BV_{DSS} : 6-60V; 10-100V; 50-500V						
D: DIP (Nil) S: SMD						

包装信息 Package specification

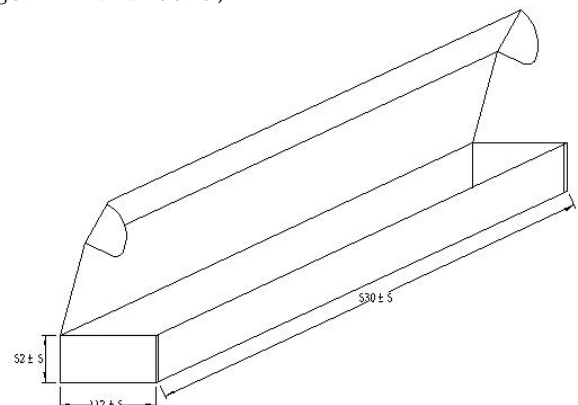
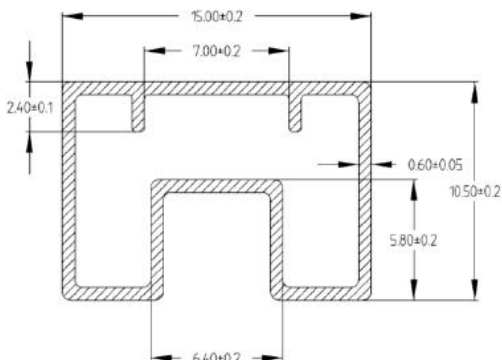
DIP7:

每管最多装 50 个/MAX. 50pcs of products shall be packaged in a sleeve;
每盒最多装40条/MAX. 40 sleeves in one case.



SMD7:

每管最多装 50 个/MAX. 50pcs of products shall be packaged in a sleeve;
每盒最多装30条/MAX. 30 sleeves in one case.

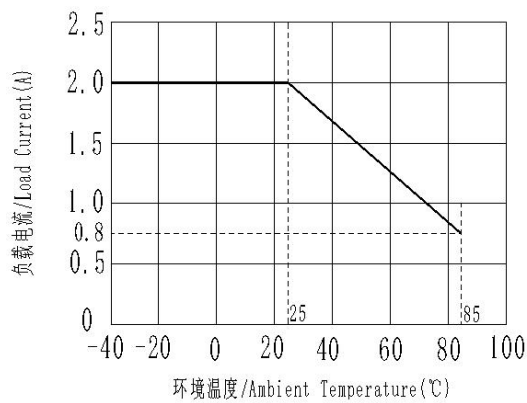


安规要求 Safety and insulation ratings

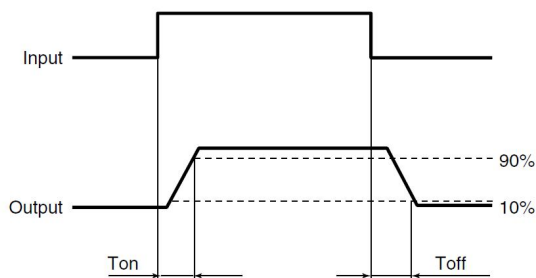
爬电距离	Creepage distance	5.0mm, CTI \geq 275;
瞬时过电压	Highest allowable overvoltage	5000V;
再现峰值电压	V_{IORM}	769V;
局部放电	Partial discharge test voltage method b, $V_{Pd} = V_{IORM} \times 1.6$	1230V.

特性曲线 Characteristic data

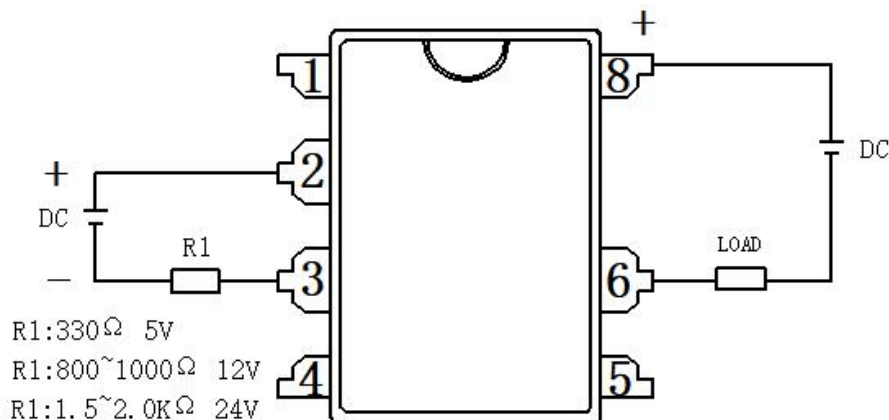
1. 负载电流与环境温度关系曲线 Load current VS. ambient temperature



接通和关断时间关系 Turn on and turn off time



接线图 Wiring diagram



注意事项 Notes

a) 工作环境温度超过 25℃时请降额使用。参见特性曲线。

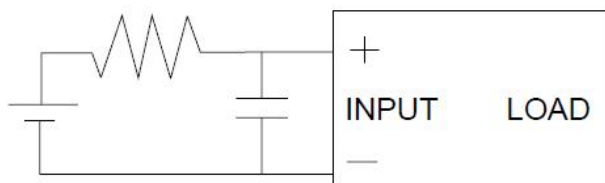
When ambient temperature is above 25℃, the load current must be reduced. (see characteristic data)

b) 继电器接线时，务必保证输入端极性的正确，以免损坏继电器。

Ensuring the polarity is correct when connecting the input lines, otherwise the wrong connection will damage the relay.

c) 由于 SSR 动作时间很短，输入端的噪声可能会引起 SSR 误动作，所以在输入端环境噪声较大时，应在输入端接 R/C 回路吸收噪声。

Since the operate time of the relay is extremely short, any noise to input terminal will cause malfunction of the SSR, So a RC circuit should be connected to input terminal to absorb the noise in the noisy condition.



d) 推荐的使用电路，输出端的尖峰电压可能会引起 SSR 误动作，所以请在输出端应加 R/C 回路或压敏电阻吸收尖峰电压。

Below shows a recommend circuit: Please add a RC circuit or varistor on the load side, as noise/surge could damage the unit or cause malfunctions.

关于防静电对策 **Cautions for static electricity**

- a. 使用电烙铁时,对电烙铁前端进行接地。(建议使用低电压用的电烙铁。) When using soldering irons, either use irons with low leakage current, or ground the tip of the soldering iron. (Use of low-voltage soldering irons is also recommended.)
- b. 组装时使用的设备等也应正确地接地。 Devices and equipment used in assembly should also be grounded.

关于焊接 **Soldering**

继电器焊接,260 度情况下焊接时间不能超过 10 秒钟,350 度情况下焊接时间不能超过 5 秒钟。
Soldering must be completed within 10 seconds at 260°C or within 5 seconds at 350°C.

单击下面可查看定价，库存，交付和生命周期等信息

[>>Silicon Billion\(硅兆\)](#)