

RLC Series

• 85°C 5,000Hrs assured.

- Non-solvent proof
- Long Life.
- For SMPS, Inverter.
- RoHS compliant.
- Halogen-free capacitors are also available.



SPECIFICATIONS

Item	Characteristics						
Rated Voltage Range	160 ~ 500 V _{dc}						
Operating Temperature Range	-25 ~ +85°C						
Capacitance Tolerance	±20% (M) (at 20°C, 120Hz)						
Leakage Current	I = 0.02CV or 3mA, whichever is smaller. Where, I: Leakage current(µA) C: Nominal capacitance(µF) V: Rated voltage(V _{dc}) (at 20°C, 5 minutes)						
※ Dissipation Factor(Tanδ)	<table border="1"> <tr> <td>Rated Voltage(V_{dc})</td> <td>160~400</td> <td>450~500</td> </tr> <tr> <td>Tanδ(Max.)</td> <td>0.15</td> <td>0.20</td> </tr> </table> <p>(at 20°C, 120Hz)</p>	Rated Voltage(V _{dc})	160~400	450~500	Tanδ(Max.)	0.15	0.20
Rated Voltage(V _{dc})	160~400	450~500					
Tanδ(Max.)	0.15	0.20					
Temperature Characteristics (Max.Impedance ratio)	<table border="1"> <tr> <td>Rated Voltage(V_{dc})</td> <td>160~400</td> <td>450~500</td> </tr> <tr> <td>Z(-25°C)/Z(20°C)</td> <td>4</td> <td>8</td> </tr> </table> <p>(at 120Hz)</p>	Rated Voltage(V _{dc})	160~400	450~500	Z(-25°C)/Z(20°C)	4	8
Rated Voltage(V _{dc})	160~400	450~500					
Z(-25°C)/Z(20°C)	4	8					
Load Life	<p>The following specifications shall be satisfied when the capacitors are restored to 20°C after the rated voltage with the rated ripple current is applied (the peak voltage shall not exceed the rated voltage) for 5,000 hours at 85°C.</p> <p>Capacitance change ≤ ±20% of the initial value Tanδ ≤ 200% of the initial specified value Leakage current ≤ The initial specified value</p>						
Shelf Life	<p>The following specifications shall be satisfied when the capacitors are restored to 20°C after the exposing them at 85°C for 1,000hours without voltage applied. The rated voltage shall be applied to the capacitors for a minimum of 30 minutes, at least 24 hours and not more than 48 hours before the measurements.</p> <p>Capacitance change ≤ ±15% of the initial value Tanδ ≤ 150% of the initial specified value Leakage Current ≤ The initial specified value</p>						
Others	Satisfied characteristics KS C IEC 60384-4						

※ For capacitors with CV products > 100,000 Higher Tanδ value may apply.
When the capacitance exceeds 1,000µF, 0.01 shall be added every 1,000µF increase.

RATED RIPPLE CURRENT

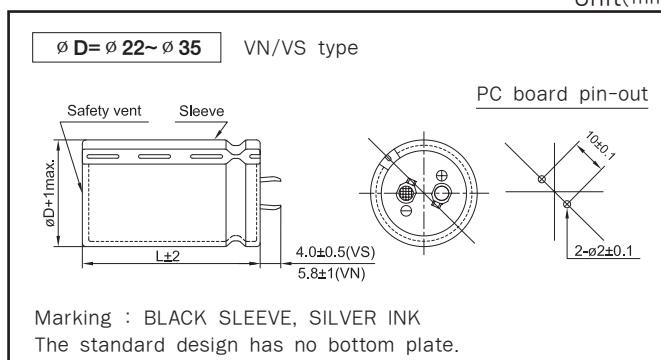
When capacitors are operated in any other condition at 120Hz, the maximum ripple current must be multiplied by the figure shown in the table.

Frequency multiplying factor

V _{dc}	Freq.(Hz)	60	120	300	1k	10k~
160~250		0.81	1.00	1.17	1.32	1.45
350~500		0.77	1.00	1.16	1.30	1.41

DIMENSIONS OF RLC Series

Unit(mm)



RATINGS OF RLC Series

V _{DC}	Capacitance (μF)	∅D×L(mm)	Rated Ripple Current (Arms/85°C, 120Hz)	V _{DC}	Capacitance (μF)	∅D×L(mm)	Rated Ripple Current (Arms/85°C, 120Hz)
160	270	22 × 25	1.46	250	680	30 × 40	3.08
	390	22 × 30	1.69			35 × 30	2.66
		25.4 × 25	1.69		820	30 × 45	3.37
	470	22 × 35	1.95			35 × 35	3.20
	560	22 × 40	2.21		1,000	30 × 50	3.51
		25.4 × 30	2.11			35 × 40	3.54
	680	30 × 25	2.11		1,200	35 × 45	3.78
		22 × 45	2.49			35 × 50	4.08
	820	25.4 × 35	2.47	350	82	22 × 25	0.76
		22 × 50	2.86		120	22 × 30	1.12
	25.4 × 40		2.83			25.4 × 25	1.14
	30 × 30	2.68	150		22 × 35	1.27	
		35 × 25			2.99	180	22 × 40
	1,000	25.4 × 45	3.13		220		25.4 × 30
		30 × 35	2.96			30 × 25	1.45
	1,200	25.4 × 50	3.43		270	22 × 45	1.51
		30 × 40	3.24			25.4 × 35	1.64
	1,500	35 × 30	3.62		330	22 × 50	1.68
		30 × 45	3.62			390	25.4 × 40
	1,800	35 × 35	4.05		470		30 × 30
30 × 50		3.97	35 × 25			1.70	
2,200	35 × 40	4.44	560		25.4 × 45	1.97	
	35 × 45	4.75			30 × 35	2.15	
200	220	22 × 25	1.23		400	82	22 × 25
	330	22 × 30	1.59	120		22 × 30	0.89
		25.4 × 25	1.57			25.4 × 25	0.89
	390	22 × 35	1.84	150		22 × 35	1.07
		22 × 40	1.99			180	22 × 40
	470	25.4 × 30	1.97	220			25.4 × 30
		30 × 25	1.97			30 × 25	1.22
	560	22 × 45	2.32	270		22 × 45	1.44
		25.4 × 35	2.30			330	25.4 × 35
	680	25.4 × 40	2.54	390			22 × 50
		30 × 30	2.55			470	25.4 × 40
	820	35 × 25	2.57	560			30 × 30
		25.4 × 45	2.98			680	35 × 25
	1,000	30 × 40	3.15	820			25.4 × 45
		35 × 30	3.15			1,000	30 × 35
	1,200	30 × 45	3.45	1,200			30 × 40
35 × 35		3.45	35 × 30		2.12		
1,500	35 × 40	3.86	1,500	30 × 45	2.51		
1,800	35 × 50	4.23		1,800	35 × 35	2.48	
250	150	22 × 25	1.07		2,200	30 × 50	3.00
		22 × 30	1.46	2,500		35 × 40	2.86
	220	25.4 × 25	1.38		3,000	30 × 60	3.50
		22 × 35	1.64	3,500		35 × 45	3.31
	270	22 × 40	1.81		4,000	30 × 70	4.00
		25.4 × 30	1.81	4,500		35 × 50	3.80
	330	30 × 25	1.86		5,000	35 × 60	4.54
		22 × 45	1.92	5,500		35 × 70	5.32
	390	25.4 × 35	2.05		6,000		
		22 × 50	2.11				
	470	25.4 × 40	2.27				
		30 × 30	2.27				
560	35 × 25	2.18					
	25.4 × 45	2.42					
680	30 × 35	2.58					
	25.4 × 50	2.66					

RATINGS OF RLC Series

V _{DC}	Capacitance (μF)	∅D×L(mm)	Rated Ripple Current (Arms/85°C, 120Hz)
450	68	22 × 25	0.52
	100	22 × 30	0.68
		25.4 × 25	0.69
	120	22 × 35	0.80
		22 × 40	0.94
	150	25.4 × 30	0.91
		30 × 25	0.94
	180	22 × 45	1.09
		25.4 × 35	1.06
	220	22 × 50	1.26
		25.4 × 40	1.24
		30 × 30	1.22
		35 × 25	1.24
	270	25.4 × 45	1.45
		30 × 35	1.44
	330	30 × 40	1.69
		35 × 30	1.63
	390	30 × 45	1.93
		35 × 35	1.89
	470	30 × 50	2.22
35 × 40		2.19	
560	30 × 60	2.60	
	35 × 45	2.51	
680	30 × 70	3.10	
	35 × 50	2.89	
820	35 × 60	3.43	
1,000	35 × 70	4.06	

V _{DC}	Capacitance (μF)	∅D×L(mm)	Rated Ripple Current (Arms/85°C, 120Hz)
500	39	22 × 25	0.30
	56	22 × 30	0.39
		25.4 × 25	0.39
	68	22 × 35	0.46
		22 × 40	0.53
	82	25.4 × 30	0.51
		30 × 25	0.53
	100	22 × 45	0.62
		25.4 × 35	0.60
	120	22 × 50	0.71
		25.4 × 40	0.70
		30 × 30	0.69
		35 × 25	0.70
	150	25.4 × 45	0.83
		30 × 35	0.82
	180	30 × 40	0.95
		35 × 30	0.92
	220	30 × 45	1.10
		35 × 35	1.08
	270	30 × 60	1.31
35 × 40		1.27	
330	30 × 70	1.64	
	35 × 50	1.54	
390	35 × 60	1.81	
470	35 × 70	2.13	

单击下面可查看定价，库存，交付和生命周期等信息

[>>SAMYOUNG\(三荣\)](#)