

Mid-high Voltage Ceramic Capacitors

Disk type with lead

Safety standard approved

CS series

Issue date: October 2011

- All specifications are subject to change without notice.
- Conformity to RoHS Directive: This means that, in conformity with EU Directive 2002/95/EC, lead, cadmium, mercury, hexavalent chromium, and specific bromine-based flame retardants, PBB and PBDE, have not been used, except for exempted applications.

Mid-high Voltage Ceramic Capacitors(Disk with Lead) Safety Standard Approved CS Series

Conformity to RoHS Directive

**BASIC INSULATION TYPE/Operating temperature range: -25 to +105°C(UL standard: -25 to +85°C)
CLASS 2 HIGH DIELECTRIC**

FEATURES

- Flame-resistant reinforced outer insulation prevents fires, electrical shock, and other potential hazards.
- Compliant with the safety standards of 11 countries.
- It has a withstand voltage of AC.2600V
- This product is compatible with halogen-free external resin coating (we recommend halogen-free products as standard).

CAPACITANCE TEMPERATURE CHARACTERISTICS AND TOLERANCE

Temperature characteristics	Test temperature range	Capacitance tolerance
B($\pm 10\%$)	-25 to +85°C	K($\pm 10\%$)
E(+20, -55%)	-25 to +85°C	M($\pm 20\%$)
F(+30, -80%)	-25 to +85°C	M($\pm 20\%$)

PRODUCT IDENTIFICATION

CS	11	-E	2GA	222	M	Y	N	S	A
(1)	(2)	(3)	(4)	(5)	(6)	(7)	(8)	(9)	(10)

- (1) Type
- (2) Shape
- (3) Capacitance temperature characteristics
- (4) Rated voltage
- (5) Nominal capacitance
- (6) Capacitance tolerance
- (7) Class
- (8) Lead type
- (9) Safety standard
- (10) Halogen-free compatible product

CAPACITANCE AND DIMENSIONS

Part No.		Capacitance temperature characteristics	Capacitance (pF)	Capacitance tolerance	Dimensions(mm)				Taping dimensions
Halogen-free product	Current product				D max.	T max.	F	d	
CS70-B2GA101KY□SA	CS70-B2GA101KY□S	B($\pm 10\%$)	100	K($\pm 10\%$)	7.0	7.0	7.5 \pm 1.5	0.6 \pm 0.05	V2
CS70-B2GA151KY□SA	CS70-B2GA151KY□S		150	K($\pm 10\%$)	7.0	7.0	7.5 \pm 1.5	0.6 \pm 0.05	V2
CS70-B2GA221KY□SA	CS70-B2GA221KY□S		220	K($\pm 10\%$)	7.0	7.0	7.5 \pm 1.5	0.6 \pm 0.05	V2
CS85-B2GA331KY□SA	CS85-B2GA331KY□S		330	K($\pm 10\%$)	8.5	7.0	7.5 \pm 1.5	0.6 \pm 0.05	V2
CS85-B2GA471KY□SA	CS85-B2GA471KY□S	E(+20, -55%)	470	K($\pm 10\%$)	8.5	7.0	7.5 \pm 1.5	0.6 \pm 0.05	V2
CS95-B2GA681KY□SA	CS95-B2GA681KY□S		680	K($\pm 10\%$)	9.5	7.0	7.5 \pm 1.5	0.6 \pm 0.05	V2
CS10-B2GA102KY□SA	CS10-B2GA102KY□S		1,000	K($\pm 10\%$)	10.0	7.0	7.5 \pm 1.5	0.6 \pm 0.05	V2
CS80-E2GA102MY□SA	CS80-E2GA102MY□S		1,000	M($\pm 20\%$)	8.0	7.0	7.5 \pm 1.5	0.6 \pm 0.05	V2
CS90-E2GA152MY□SA	CS90-E2GA152MY□S	F(+30, -80%)	1,500	M($\pm 20\%$)	9.0	7.0	7.5 \pm 1.5	0.6 \pm 0.05	V2
CS11-E2GA222MY□SA	CS11-E2GA222MY□S		2,200	M($\pm 20\%$)	10.5	7.0	7.5 \pm 1.5	0.6 \pm 0.05	V2
CS13-E2GA332MY□SA	CS13-E2GA332MY□S		3,300	M($\pm 20\%$)	12.5	7.0	7.5 \pm 1.5	0.6 \pm 0.05	V2
CS14-E2GA392MY□SA	CS14-E2GA392MY□S		3,900	M($\pm 20\%$)	13.5	7.0	7.5 \pm 1.5	0.6 \pm 0.05	V2
CS15-E2GA472MY□SA	CS15-E2GA472MY□S	F(+30, -80%)	4,700	M($\pm 20\%$)	14.5	7.0	7.5 \pm 1.5	0.6 \pm 0.05	V3
CS12-F2GA472MY□SA	CS12-F2GA472MY□S		4,700	M($\pm 20\%$)	12.0	7.0	7.5 \pm 1.5	0.6 \pm 0.05	V2
CS17-F2GA103MY□SA	CS17-F2GA103MY□S		10,000	M($\pm 20\%$)	16.5	7.0	10 \pm 2	0.6 \pm 0.05	—

* □ : Lead shape symbol

LIST OF STANDARD LEAD SHAPES

The lead type is indicated by the letter which is the 15th character of the product name.

Example) TDK Product Name: **CS11-E2GA222MYNSA**

└N: Lead type (Vertical kink, Short)

Dimensions in mm

	Long lead Symbol G	Short lead Symbol N	Taping Symbol V
Vertical kink			

- We recommend using a vertical kink type.
- For bulk products, we recommend a short lead type with the symbol N.

• Conformity to RoHS Directive: This means that, in conformity with EU Directive 2002/95/EC, lead, cadmium, mercury, hexavalent chromium, and specific bromine-based flame retardants, PBB and PBDE, have not been used, except for exempted applications.

• All specifications are subject to change without notice.

HALOGEN-FREE PRODUCT

MARKINGS

Item		Marking examples
1. Series	CS	<p>(Marking position is reference.)</p>
2. Nominal capacitance	222(2200pF)	
3. Capacitance tolerance	M(±20%)	
4. Rated voltage Eac	250V ~ (AC.250V)	
5. Sub-class of safety performance	X1Y2	
6. TDK's logogram		
7. Date code	15 (2011.5)*	

* Year and month of production: last digit of year + month denoted by 1, 2, 3, 4, 5, 6, 7, 8, 9, O (October), N (November), or D (December).

* The expression has become simplified due to a revision in the standards.

INTERNATIONALLY CERTIFIED STATUS / IEC60384-14 EN60384-14 Approved

Safety standard	Standard No. of IEC	Standard No.	Temperature characteristics	Insulation sub-class	Rated voltage Eac(V)	Approval report No.		
						Japan	Taiwan	Xiamen
BSI	IEC 60065	BS EN 60065	B, E, F	X1, Y2	250	KM37103	KM37103	KM37103
	IEC 60384-14	BS EN60384-14						
VDE	IEC 60384-14	EN 60384-14	B, E, F	X1, Y2	250	40029781	40029781	40029781
SEV	IEC 60384-14	EN 60384-14	B, E, F	X1, Y2	250	10.0120	10.0120	10.0120
SEMKO	IEC 60384-14	EN 60384-14	B, E, F	X1, Y2	250	912461	912461	912461
NEMKO	IEC 60384-14	EN 60384-14	B, E, F	X1, Y2	250	P09211677	P09211677	P09211677
DEMKO	IEC 60384-14	EN 60384-14	B, E, F	X1, Y2	250	315269-01	315269-01	315269-01
FIMKO	IEC 60384-14	EN 60384-14	B, E, F	X1, Y2	250	FI 25553	FI 25553	FI 25553
IMQ	IEC 60384-14	EN 60384-14	B, E, F	X1, Y2	250	V3692	V3692	V3692
SAA	IEC 60065	AS3250	B, E, F	—	400	CS6268	CS6268	CS6268
UL	—	UL 1414	B, E, F	(X, Y)	250	E37861	E37861	E37861
	CSA	IEC 60384-14						
CQC	IEC 60384-14	GB-T 14472-1998	B, E, F	X1, Y2	250	CQC10001051610	CQC10001051637	CQC03001004815

• Certificate numbers shall be changed owing to the revisions of the related standards.

CURRENT PRODUCT

MARKINGS

Item		Marking examples
1. Series	CS	<p>(Marking position of the monogram is reference.)</p>
2. Nominal capacitance	222(2200pF)	
3. Capacitance tolerance	M(±20%)	
4. Rated voltage Eac	250V ~ (AC.250V)	
5. Withstand voltage Eac	X1Y2	
6. Sub-class of safety performance		
7. TDK's logogram	15 (2011.5)*	
8. Date code		
9. Regulatory body safety standards compliance markings		

BSI (U.K.)	BSI	SEV (Switzerland)	TJ508	FIMKO (Finland)		NEMKO (Norway)	
SEMKO (Sweden)		UL (U.S.A.)		DEMKO (Denmark)		IMQ (Italy)	
VDE (Germany)		CSA (Canada)					

* Year and month of production: last digit of year + month denoted by 1, 2, 3, 4, 5, 6, 7, 8, 9, O (October), N (November), or D (December).

INTERNATIONALLY CERTIFIED STATUS / IEC60384-14 EN60384-14 Approved

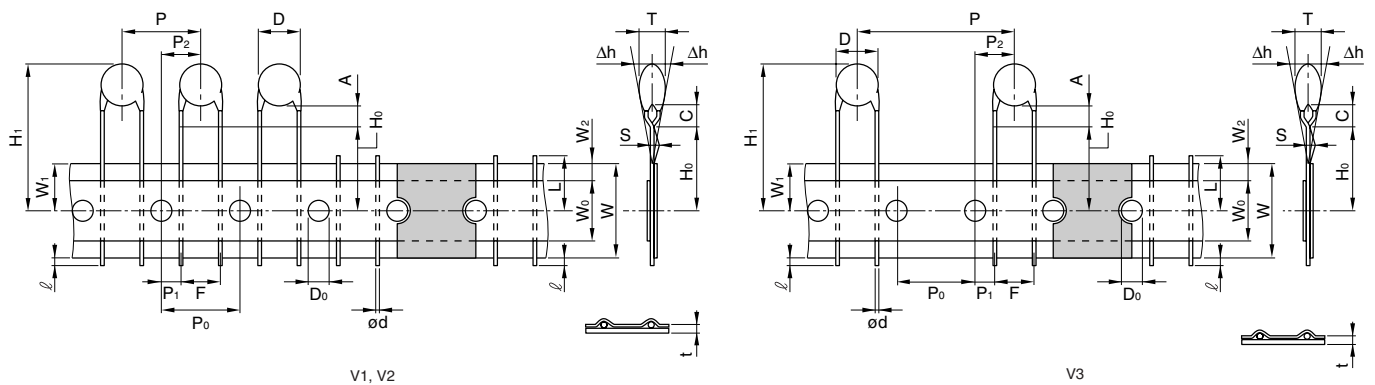
Safety standard	Standard No. of IEC	Standard No.	Temperature characteristics	Insulation sub-class	Rated voltage Eac(V)	Approval report No.		
						Japan	Taiwan	Xiamen
BSI	IEC 60065	BS EN 60065	B, E, F	X1, Y2	250	226494	226494	226494
	IEC 60384-14	BS EN60384-14						
VDE	IEC 60384-14	EN60384-14	B, E, F	X1, Y2	250	138559	138560	122006
SEV	IEC 60384-14	EN60384-14	B, E, F	X1, Y2	250	09.0962	09.0962	09.0962
SEMKO	IEC 60384-14	EN60384-14	B, E, F	X1, Y2	250	915556	915556	915394
NEMKO	IEC 60384-14	EN60384-14	B, E, F	X1, Y2	250	P09211507	P09211507	P08209309
DEMKO	IEC 60384-14	EN60384-14	B, E, F	X1, Y2	250	315179-01	315179-01	314664-02
FIMKO	IEC 60384-14	EN60384-14	B, E, F	X1, Y2	250	FI 25453	FI 25453	FI 24306A1
IMQ	IEC 60384-14	EN60384-14	B, E, F	X1, Y2	250	V3692	V3692	V3692
SAA	IEC 60065	AS3250	B, E, F	—	400	6268	6268	6268
UL	—	UL 1414	B, E, F	(X, Y)	250	E37861	E37861	E37861
	CSA	—						

• Certificate numbers shall be changed owing to the revisions of the related standards.

• All specifications are subject to change without notice.

TAPING DIMENSIONS

VERTICAL KINK LEAD TYPE



Item	Symbol	Dimensions(mm)			Remarks
		V1	V2	V3	
Body diameter	D	Depends on the specification of each product.			
Body thickness	T	Depends on the specification of each product.			
Lead-wire diameter	ød	0.6±0.05	0.6±0.05	0.6±0.05	
Pitch of component	P	12.7±1.0	15.0±1.0	30.0±1.0	Including the slant of body
Feed hole pitch	P ₀	12.7±0.3	15.0±0.3	15.0±0.3	Excepting the tape splicing part
Feed hole center to lead	P ₁	3.85±0.7	3.75±0.7	3.75±0.7	
Feed hole center to component center	P ₂	6.35±1.3	7.5±1.3	7.5±1.3	
Lead-to lead distance	F	5+0.8, -0.2	7.5±0.8	7.5±0.8	Measuring point is bottom kink
Component alignment	Δh	0±2.0	0±2.0	0±2.0	Including the slanting body due to bending lead-wire
Tape width	W	18.0+1.0, -0.5	18.0+1.0, -0.5	18.0+1.0, -0.5	
Adhesive tape width	W ₀	11.5min.	11.5min.	11.5min.	
Hole position	W ₁	9.0±0.5	9.0±0.5	9.0±0.5	
Adhesive tape position	W ₂	3.0max.	3.0max.	3.0max.	Adhesive tape do not stick out the tape
Bottom of kink from tape center	H ₀	16.0+1.5, -0.5	16.0+1.5, -0.5	16.0+1.5, -0.5	
Height of body from tape center	H ₁	46.0max.	46.0max.	46.0max.	
Lead-wire protrusion	ℓ	1.0max.	1.0max.	1.0max.	
Feed hole diameter	D ₀	4.0±0.2	4.0±0.2	4.0±0.2	
Total tape thickness	t	0.6±0.3	0.6±0.3	0.6±0.3	Do not including adhesive tape
Length of snapped lead	L	11.0max.	11.0max.	11.0max.	
Coating on lead	C	4.0max.	4.0max.	4.0max.	
Height of kink	A	4.0max.	4.0max.	4.0max.	Measuring point is bottom kink
Spring action	S	2.0max.	2.0max.	2.0max.	

• For more information about products with other capacitance or other data, please contact us.

• All specifications are subject to change without notice.

单击下面可查看定价，库存，交付和生命周期等信息

[>>TDK Corporation\(东电化\)](#)