

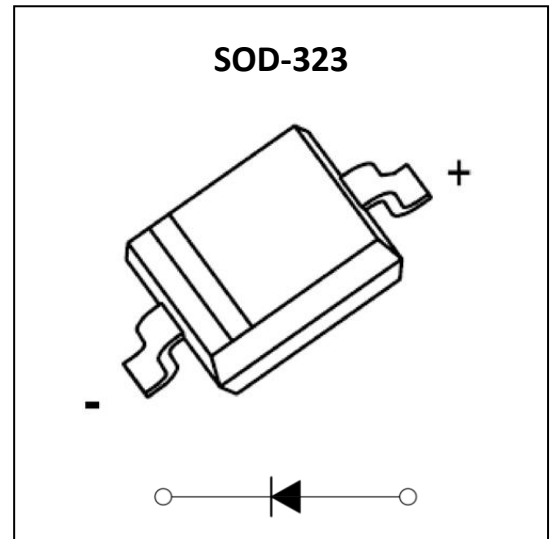
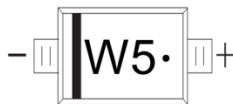


BAT60B Schottky Barrier Diode

Feature

- Low Forward Voltage Drop
- High Forward current
- Low Voltage, Low Inductance
- For Power Supply
- For Detection and Step-up-Conversion

MARKING:



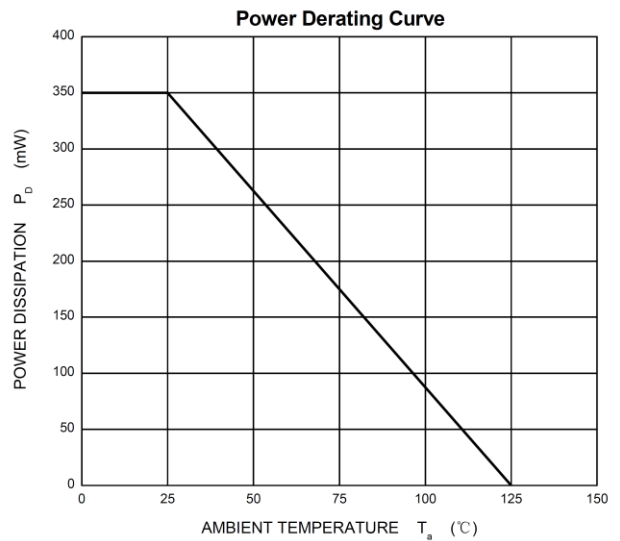
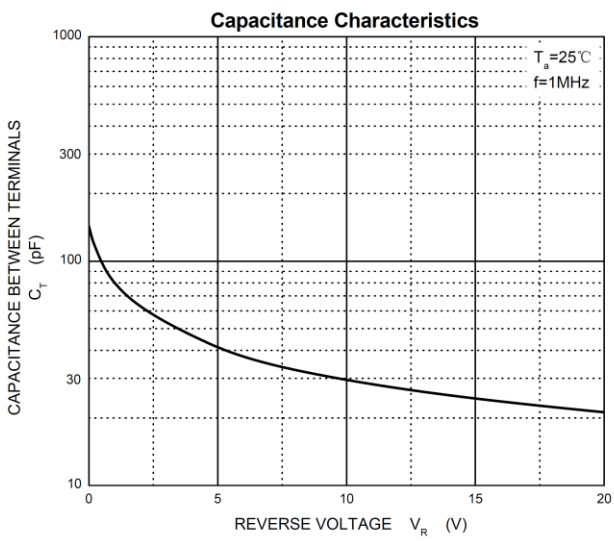
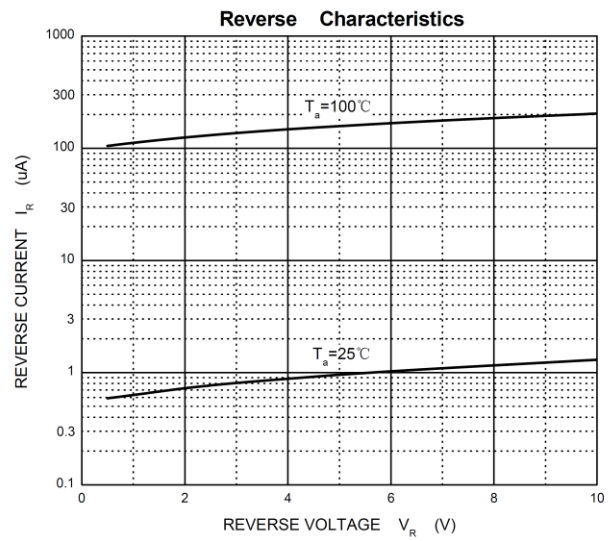
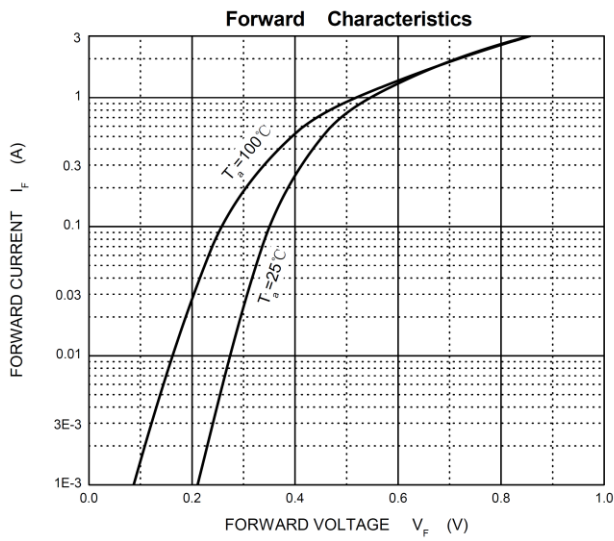
ABSOLUTE MAXIMUM RATINGS ($T_a=25^{\circ}\text{C}$ unless otherwise noted)

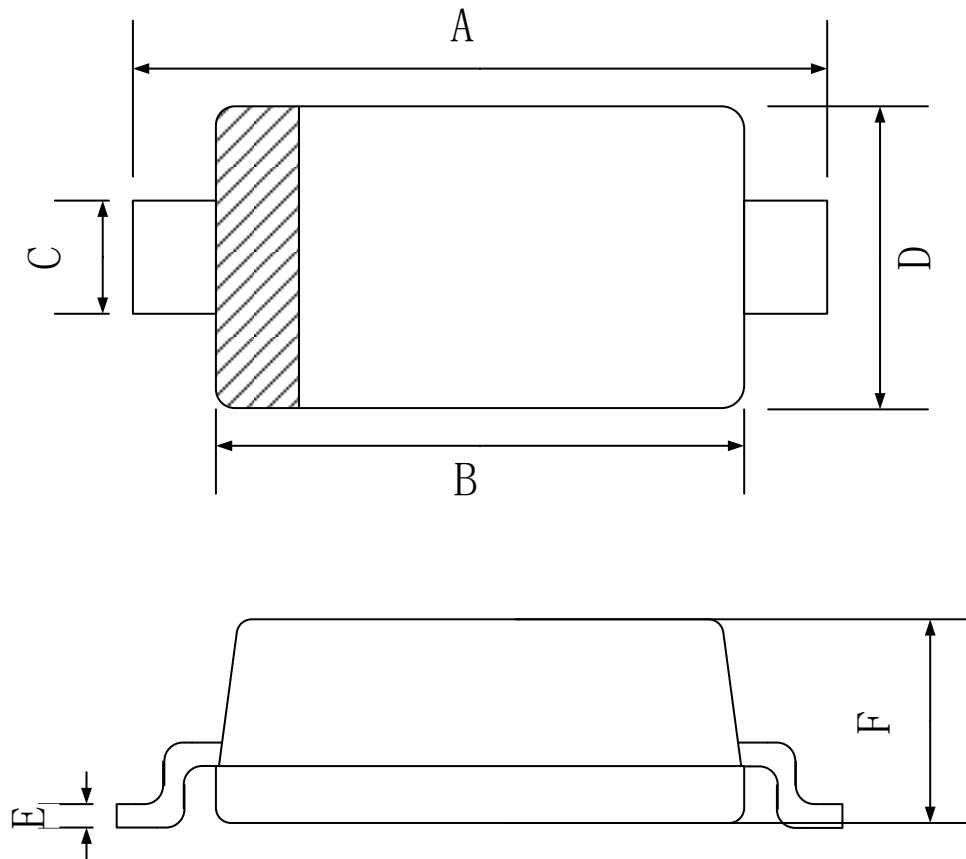
Parameter	Symbol	Value	Unit
DC reverse voltage	V_R	10	V
Forward current	I_F	3	A
Non-repetitive Peak Forward Surge Current @ $t=8.3\text{ms}$	I_{FSM}	5	A
Power Dissipation	P_D	0.35	W
Thermal Resistance from Junction to Ambient	$R_{\theta JA}$	286	$^{\circ}\text{C/W}$
Junction Temperature	T_J	125	$^{\circ}\text{C}$
Storage Temperature	T_{STG}	-55 ~ +150	$^{\circ}\text{C}$

ELECTRICAL CHARACTERISTICS ($T_a=25^{\circ}\text{C}$ unless otherwise noted)

Parameter	Symbol	Test Condition	Min	Type	Max	Unit
Reverse voltage	V_{BR}	$I_R = 1\text{mA}$	10			V
Reverse current	I_R	$V_R = 5\text{V}$			15	μA
		$V_R = 8\text{V}$			25	μA
Forward voltage	V_F	$I_F = 0.1\text{A}$			0.38	V
		$I_F = 0.5\text{A}$			0.5	V
		$I_F = 1\text{A}$			0.6	V
Total capacitance	C_{tot}	$V_R = 5\text{V}, f = 1\text{MHz}$		30		pF

Typical Characteristics



SOD-323 Package Outline Dimensions


Symbol	Dimensions In Millimeters		
	Min.	Typ.	Max.
A	2.30	2.50	2.70
B	1.60	1.70	1.90
C	0.25	0.325	0.40
D	1.15	1.25	1.35
E	0.089	0.095	0.101
F	0.80	0.90	1.00

单击下面可查看定价，库存，交付和生命周期等信息

[>>GP\(格瑞宝\)](#)