



SGM4553

2-Bit Bidirectional Voltage-Level Translator for Open-Drain and Push-Pull Applications

GENERAL DESCRIPTION

This two-bit non-inverting translator is a bidirectional voltage-level translator and can be used to establish digital switching compatibility between mixed-voltage systems. It uses two separate configurable power-supply rails, with the A ports supporting operating voltages from 1.65V to 5.5V while it tracks the V_{CCA} supply, and the B ports supporting operating voltages from 2.3V to 5.5V while it tracks the V_{CCB} supply. This allows the support of both lower and higher logic signal levels while providing bidirectional translation capabilities between any of the 1.8V, 2.5V, 3.3V, and 5V voltage nodes.

When the output-enable (OE) input is low, all I/Os are placed in the high-impedance state, which significantly reduces the power-supply quiescent current consumption. OE has an internal pull-down current source, as long as V_{CCA} is powered.

To ensure the high-impedance state during power up or power down, OE should be tied to GND through a pull-down resistor; the minimum value of the resistor is determined by the current-sourcing capability of the driver.

The SGM4553 is available in the Green SOT-23-8 and XTDFN-1.4x1-8L packages. It operates over an ambient temperature range of -40°C to +85°C.

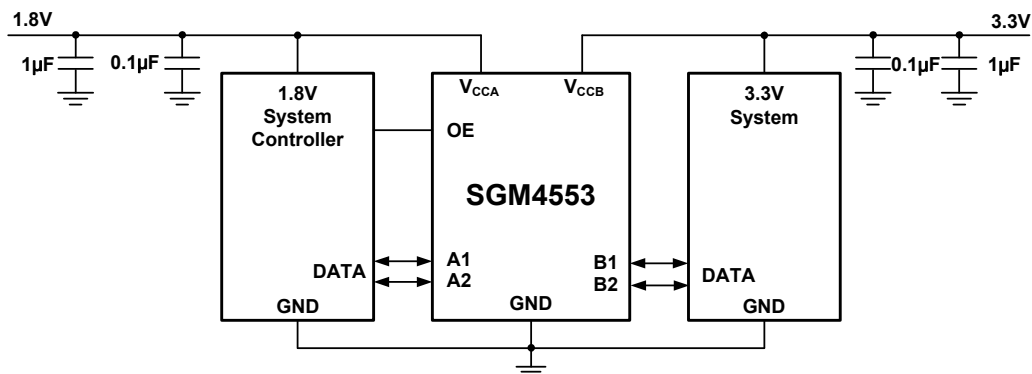
FEATURES

- No Direction-Control Signal Needed
- Data Rates
 - 24Mbps (Push-Pull)
 - 2Mbps (Open-Drain)
- 1.65V to 5.5V on A Ports and 2.3V to 5.5V on B Ports ($V_{CCA} \leq V_{CCB}$)
- V_{CC} Isolation: If Either V_{CC} is at GND, Both Ports are in the High-Impedance State
- No Power-Supply Sequencing Required: Either V_{CCA} or V_{CCB} can be Ramped First
- I_{OFF} : Supports Partial-Power-Down Mode Operation
- Available in Green SOT-23-8 and XTDFN-1.4x1-8L Packages

APPLICATIONS

- I²C/SMBus
- UART
- GPIO

TYPICAL APPLICATION CIRCUIT



SGM4553

2-Bit Bidirectional Voltage-Level Translator for Open-Drain and Push-Pull Applications

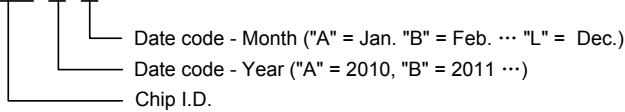
PACKAGE/ORDERING INFORMATION

MODEL	PACKAGE DESCRIPTION	ORDERING NUMBER	PACKAGE MARKING	PACKAGE OPTION
SGM4553	SOT-23-8	SGM4553YN8G/TR	SLDXX	Tape and Reel, 3000
	XTDFN-1.4x1-8L	SGM4553YXDO8G/TR	N2X	Tape and Reel, 5000

NOTE: X = Date Code, XX = Date Code.

MARKING INFORMATION

SLD X X



For example: SLDDDB (2013, February)

ABSOLUTE MAXIMUM RATINGS

V_{CCA} , Supply Voltage Range.....	-0.3V to 6V	I_{OK} , Output Clamp Current ($V_O < 0$)	-50mA
V_{CCB} , Supply Voltage Range.....	-0.3V to 6V	I_O , Continuous Output Current.....	± 50 mA
V_I , A Ports, B Ports, OE Input Voltage Range ⁽²⁾	-0.3V to 6V	Continuous Current through V_{CCA} , V_{CCB} , or GND.....	± 100 mA
V_O , Voltage Range Applied to Any Output in the High-Impedance or Power-Off State ⁽²⁾		Operating Temperature Range.....	-40°C to +85°C
A Ports.....	-0.3V to 6V	Junction Temperature.....	150°C
B Ports.....	-0.3V to 6V	Storage Temperature Range.....	-65°C to +150°C
V_O , Voltage Range Applied to Any Output in the High or Low State ^{(2) (3)}		Lead Temperature (Soldering, 10sec).....	260°C
A Ports.....	-0.3V to $V_{CCA} + 0.3$ V	ESD Susceptibility	
B Ports.....	-0.3V to $V_{CCB} + 0.3$ V	HBM.....	4000V
I_{IK} , Input Clamp Current ($V_I < 0$)	-50mA	MM.....	300V

NOTES:

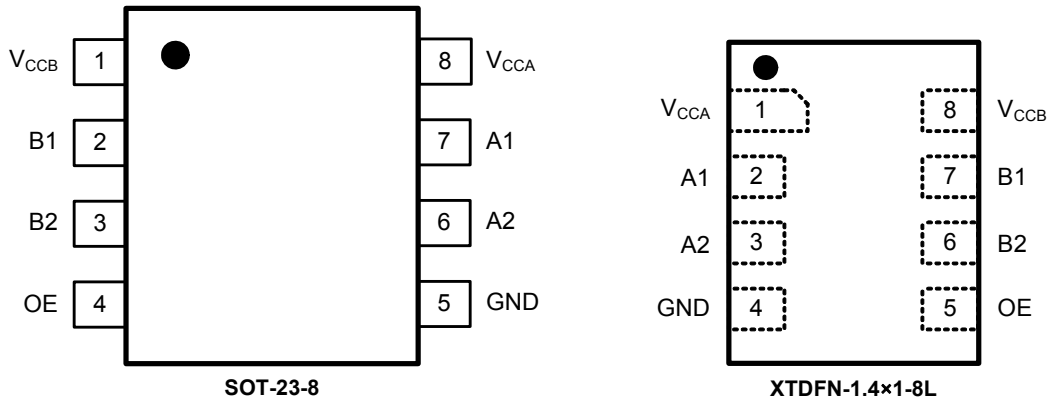
- Stresses beyond those listed under "Absolute Maximum Ratings" may cause permanent damage to the device. These are stress ratings only, and functional operation of the device at these or any other conditions beyond those indicated in the operational sections of the specifications is not implied. Exposure to absolute Maximum rating conditions for extended periods may affect device reliability.
- The input and output negative-voltage ratings may be exceeded if the input and output current ratings are observed.
- The value of V_{CCA} and V_{CCB} are provided in the recommended operating conditions table.

CAUTION

This integrated circuit can be damaged by ESD if you don't pay attention to ESD protection. SGMICRO recommends that all integrated circuits be handled with appropriate precautions. Failure to observe proper handling and installation procedures can cause damage. ESD damage can range from subtle performance degradation to complete device failure. Precision integrated circuits may be more susceptible to damage because very small parametric changes could cause the device not to meet its published specifications.

SGMICRO reserves the right to make any change in circuit design, specification or other related things if necessary without notice at any time. Please contact SGMICRO sales office to get the latest datasheet.

PIN CONFIGURATIONS (TOP VIEW)



PIN DESCRIPTION

PIN		NAME	FUNCTION
SOT-23-8	XTDFN-1.4x1-8L		
1	8	V _{CCB}	B Ports Supply Voltage. $2.3V \leq V_{CCB} \leq 5.5V$.
2	7	B1	Input/Output B. Referenced to V _{CCB} .
3	6	B2	Input/Output B. Referenced to V _{CCB} .
4	5	OE	Output Enable (Active High). Pull OE low to place all outputs in 3-state mode. Referenced to V _{CCA} .
5	4	GND	Ground.
6	3	A2	Input/Output A. Referenced to V _{CCA} .
7	2	A1	Input/Output A. Referenced to V _{CCA} .
8	1	V _{CCA}	A Ports Supply Voltage. $1.65V \leq V_{CCA} \leq 5.5V$ and $V_{CCA} \leq V_{CCB}$.

ELECTRICAL CHARACTERISTICS

($V_{CCA} = 1.65V$ to $5.5V$, $V_{CCB} = 2.3V$ to $5.5V$, Full = $-40^{\circ}C$ to $+85^{\circ}C$, typical values are at $T_A = +25^{\circ}C$, unless otherwise noted.)

PARAMETER	CONDITIONS		TEMP	MIN	TYP	MAX	UNITS
RECOMMENDED OPERATING CONDITIONS ^{(1) (2)}							
Supply Voltage ⁽³⁾	V_{CCA}		Full	1.65		5.5	V
	V_{CCB}		Full	2.3		5.5	
High-Level Input Voltage (V_{IH})	A Port I/Os	$V_{CCA} = 1.65V$ to $1.95V$, $V_{CCB} = 2.3V$ to $5.5V$	Full	$V_{CCI} - 0.2$		V_{CCI}	V
		$V_{CCA} = 2.3V$ to $5.5V$, $V_{CCB} = 2.3V$ to $5.5V$	Full	$V_{CCI} - 0.4$		V_{CCI}	
	B Port I/Os		Full	$V_{CCI} - 0.4$		V_{CCI}	
	OE Input		Full	$V_{CCA} \times 0.8$		5.5	
Low-Level Input Voltage (V_{IL})	A Port I/Os		Full	0		0.15	V
	B Port I/Os		Full	0		0.15	
	OE Input		Full	0		$V_{CCA} \times 0.25$	
Input Transition Rise or Fall Rate ($\Delta t/\Delta V$)	A Port I/Os Push-Pull Driving		Full			10	ns/V
	B Port I/Os Push-Pull Driving		Full			10	
	Control Input		Full			10	
ELECTRICAL CHARACTERISTICS							
A Ports High Level Output Voltage (V_{OHA})	$I_{OH} = -20\mu A$, $V_{IB} \geq V_{CCB} - 0.4V$		Full	$V_{CCA} \times 0.7$			V
A Ports Low Level Output Voltage (V_{OLA})	$I_{OL} = 1mA$, $V_{IB} \leq 0.15V$		Full			0.4	
B Ports High Level Output Voltage (V_{OHB})	$I_{OH} = -20\mu A$, $V_{IA} \geq V_{CCA} - 0.4V$		Full	$V_{CCB} \times 0.7$			
B Ports Low Level Output Voltage (V_{OLB})	$I_{OL} = 1mA$, $V_{IA} \leq 0.15V$		Full			0.4	
Input Leakage Current (I_I)	OE		$+25^{\circ}C$			± 1	μA
			Full			± 1.5	
Power Off Leakage Current (I_{OFF})	A Ports	$V_{CCA} = 0V$, $V_{CCB} = 0V$ to $5.5V$	$+25^{\circ}C$			± 0.5	μA
			Full			± 1	
	B Ports	$V_{CCA} = 0V$ to $5.5V$, $V_{CCB} = 0V$	$+25^{\circ}C$			± 0.5	
			Full			± 1	
3-State Output Leakage (I_{OZ})	A or B Ports	OE = 0V	$+25^{\circ}C$			± 0.6	μA
			Full			± 1	
Quiescent Supply Current (I_{CCA})	$V_I = V_O = OPEN$, $I_O = 0$	$V_{CCA} = 1.65V$ to V_{CCB} , $V_{CCB} = 2.3V$ to $5.5V$	Full			5.5	μA
		$V_{CCA} = 5.5V$, $V_{CCB} = 0V$	Full			5.5	
		$V_{CCA} = 0V$, $V_{CCB} = 5.5V$	Full			-1	
Quiescent Supply Current (I_{CCB})	$V_I = V_O = OPEN$, $I_O = 0$	$V_{CCA} = 1.65V$ to V_{CCB} , $V_{CCB} = 2.3V$ to $5.5V$	Full			15	μA
		$V_{CCA} = 5.5V$, $V_{CCB} = 0V$	Full			-1	
		$V_{CCA} = 0V$, $V_{CCB} = 5.5V$	Full			6	
Quiescent Supply Current ($I_{CCA} + I_{CCB}$)	$V_I = V_O = OPEN$, $I_O = 0$	$V_{CCA} = 1.65V$ to V_{CCB} , $V_{CCB} = 2.3V$ to $5.5V$	Full			20	μA

ELECTRICAL CHARACTERISTICS(V_{CCA} = 1.65V to 5.5V, V_{CCB} = 2.3V to 5.5V, Full = -40°C to +85°C, typical values are at T_A = +25°C, unless otherwise noted.)

PARAMETER	CONDITIONS		TEMP	MIN	TYP	MAX	UNITS
Quiescent Supply Current (I _{CCZA})	V _I = V _{CCI} or 0V, I _O = 0, OE = 0V	V _{CCA} = 1.65V to V _{CCB} , V _{CCB} = 2.3V to 5.5V	Full			5.5	μA
Quiescent Supply Current (I _{CCZB})	V _I = V _{CCI} or 0V, I _O = 0, OE = 0V	V _{CCA} = 1.65V to V _{CCB} , V _{CCB} = 2.3V to 5.5V	Full			5.5	μA
OE Input Capacitance (C _I)	V _{CCA} = 3.3V, V _{CCB} = 3.3V		+25°C		4		pF
Input/Output Capacitance A Ports (C _{IO})	V _{CCA} = 3.3V, V _{CCB} = 3.3V		+25°C		5		pF
Input/Output Capacitance B Ports (C _{IO})					5		

NOTES:

1. V_{CCI} is the V_{CC} associated with the input ports.
2. V_{CCO} is the V_{CC} associated with the output ports.
3. V_{CCA} must be less than or equal to V_{CCB}, and V_{CCA} must not exceed 5.5V.

TIMING REQUIREMENTS

		V _{CCB} = 2.5V	V _{CCB} = 3.3V	V _{CCB} = 5V	UNITS	
		TYP	TYP	TYP		
(T_A = +25°C, V_{CCA} = 1.8V, unless otherwise noted.)						
Data Rate	Push-Pull Driving		21	22	24	Mbps
	Open-Drain Driving		2	2	2	
Pulse Duration (t _w)	Push-Pull Driving	Data Inputs	47	45	41	ns
	Open-Drain Driving		500	500	500	
(T_A = +25°C, V_{CCA} = 2.5V, unless otherwise noted.)						
Data Rate	Push-Pull Driving		20	22	24	Mbps
	Open-Drain Driving		2	2	2	
Pulse Duration (t _w)	Push-Pull Driving	Data Inputs	50	45	41	ns
	Open-Drain Driving		500	500	500	
(T_A = +25°C, V_{CCA} = 3.3V, unless otherwise noted.)						
Data Rate	Push-Pull Driving			23	24	Mbps
	Open-Drain Driving			2	2	
Pulse Duration (t _w)	Push-Pull Driving	Data Inputs		43	41	ns
	Open-Drain Driving			500	500	
(T_A = +25°C, V_{CCA} = 5V, unless otherwise noted.)						
Data Rate	Push-Pull Driving				24	Mbps
	Open-Drain Driving				2	
Pulse Duration (t _w)	Push-Pull Driving	Data Inputs			41	ns
	Open-Drain Driving				500	

SWITCHING CHARACTERISTICS

(T_A = +25°C, V_{CCA} = 1.8V, unless otherwise noted.)

PARAMETER	FROM (INPUT)	TO (OUTPUT)	TEST CONDITIONS	V _{CCB} = 2.5V	V _{CCB} = 3.3V	V _{CCB} = 5V	UNITS
				TYP	TYP	TYP	
t _{PHL}	A	B	Push-Pull Driving	2.4	3.0	4.3	ns
			Open-Drain Driving	26.0	26.3	26.7	
t _{PLH}			Push-Pull Driving	4.0	3.6	3.5	
			Open-Drain Driving	175	145	110	
t _{PHL}	B	A	Push-Pull Driving	2.0	1.9	2.1	ns
			Open-Drain Driving	26.0	26.1	26.2	
t _{PLH}			Push-Pull Driving	1.7	1.5	1.4	
			Open-Drain Driving	133	69	51	
t _{EN} (t _{PZH} & t _{PZL})	OE	A or B		24	20	18	ns
t _{DIS} (t _{PHZ} & t _{PLZ})	OE	A or B		1200	1200	1200	
t _{rA}	A Ports Rise Time		Push-Pull Driving	6.6	5.8	5.4	ns
			Open-Drain Driving	89	31	10	
t _{rB}	B Ports Rise Time		Push-Pull Driving	5.6	4.6	3.9	ns
			Open-Drain Driving	128	98	58	
t _{fA}	A Ports Fall Time		Push-Pull Driving	2.9	2.7	2.6	ns
			Open-Drain Driving	1.9	1.7	1.6	
t _{fB}	B Ports Fall Time		Push-Pull Driving	4.6	5.9	8.0	ns
			Open-Drain Driving	2.2	2.3	2.9	
t _{sk(0)}	Channel-to-Channel Skew			0.5	0.5	0.5	ns
Data Rate			Push-Pull Driving	21	22	24	Mbps
			Open-Drain Driving	2	2	2	

SWITCHING CHARACTERISTICS

(T_A = +25°C, V_{CCA} = 2.5V, unless otherwise noted.)

PARAMETER	FROM (INPUT)	TO (OUTPUT)	TEST CONDITIONS	V _{CCB} = 2.5V	V _{CCB} = 3.3V	V _{CCB} = 5V	UNITS
				TYP	TYP	TYP	
t _{PHL}	A	B	Push-Pull Driving	2.7	3.3	4.8	ns
			Open-Drain Driving	26.2	26.4	26.7	
t _{PLH}			Push-Pull Driving	2.6	2.4	2.3	
			Open-Drain Driving	169	144	110	
t _{PHL}	B	A	Push-Pull Driving	2.4	2.3	2.4	ns
			Open-Drain Driving	26.3	26.4	26.5	
t _{PLH}			Push-Pull Driving	2.0	1.9	1.8	
			Open-Drain Driving	165	118	55	
t _{EN} (t _{PZH} & t _{PZL})	OE	A or B		23	19	16	ns
t _{DIS} (t _{PHZ} & t _{PLZ})	OE	A or B		1200	1200	1200	
t _{rA}	A Ports Rise Time		Push-Pull Driving	3.2	2.8	2.6	ns
			Open-Drain Driving	120	70	10	
t _{rB}	B Ports Rise Time		Push-Pull Driving	4.5	3.4	2.6	ns
			Open-Drain Driving	122	96	62	
t _{fA}	A Ports Fall Time		Push-Pull Driving	4.9	5.0	4.8	ns
			Open-Drain Driving	2.0	1.9	1.7	
t _{fB}	B Ports Fall Time		Push-Pull Driving	4.8	6.1	8.3	ns
			Open-Drain Driving	1.9	2.1	2.7	
t _{sk(0)}	Channel-to-Channel Skew			0.5	0.5	0.5	ns
Data Rate			Push-Pull Driving	20	22	24	Mbps
			Open-Drain Driving	2	2	2	

SWITCHING CHARACTERISTICS

(T_A = +25°C, V_{CCA} = 3.3V, unless otherwise noted.)

PARAMETER	FROM (INPUT)	TO (OUTPUT)	TEST CONDITIONS	V _{CCB} = 3.3V	V _{CCB} = 5V	UNITS
				TYP	TYP	
t _{PHL}	A	B	Push-Pull Driving	3.5	4.9	ns
			Open-Drain Driving	26.3	26.7	
t _{PLH}			Push-Pull Driving	2.2	2.0	
			Open-Drain Driving	133	104	
t _{PHL}	B	A	Push-Pull Driving	3.0	3.2	ns
			Open-Drain Driving	26.6	26.8	
t _{PLH}			Push-Pull Driving	1.8	1.7	
			Open-Drain Driving	132	83	
t _{EN} (t _{PZH} & t _{PZL})	OE	A or B		18	15	ns
t _{DIS} (t _{PHZ} & t _{PLZ})	OE	A or B		1200	1200	
t _{rA}	A Ports Rise Time		Push-Pull Driving	2.2	2.0	ns
			Open-Drain Driving	87	36	
t _{rB}	B Ports Rise Time		Push-Pull Driving	2.9	2.3	ns
			Open-Drain Driving	87	56	
t _{fA}	A Ports Fall Time		Push-Pull Driving	6.2	5.8	ns
			Open-Drain Driving	2.3	2.0	
t _{fB}	B Ports Fall Time		Push-Pull Driving	6.5	8.2	ns
			Open-Drain Driving	2.0	2.5	
t _{sk(0)}	Channel-to-Channel Skew			0.5	0.5	ns
Data Rate			Push-Pull Driving	23	24	Mbps
			Open-Drain Driving	2	2	

SWITCHING CHARACTERISTICS

($T_A = +25^\circ\text{C}$, $V_{CCA} = 5\text{V}$, unless otherwise noted.)

PARAMETER	FROM (INPUT)	TO (OUTPUT)	TEST CONDITIONS	$V_{CCB} = 5\text{V}$	UNITS
				TYP	
t_{PHL}	A	B	Push-Pull Driving	5.4	ns
			Open-Drain Driving	26.7	
t_{PLH}			Push-Pull Driving	1.9	
			Open-Drain Driving	120	
t_{PHL}	B	A	Push-Pull Driving	5.6	ns
			Open-Drain Driving	27.3	
t_{PLH}			Push-Pull Driving	1.7	
			Open-Drain Driving	126	
t_{EN} (t_{PZH} & t_{PZL})	OE	A or B		16	ns
t_{DIS} (t_{PHZ} & t_{PLZ})	OE	A or B		1200	
t_{rA}	A Ports Rise Time		Push-Pull Driving	1.8	ns
			Open-Drain Driving	79	
t_{rB}	B Ports Rise Time		Push-Pull Driving	2.2	ns
			Open-Drain Driving	73	
t_{fA}	A Ports Fall Time		Push-Pull Driving	8.7	ns
			Open-Drain Driving	2.7	
t_{fB}	B Ports Fall Time		Push-Pull Driving	8.6	ns
			Open-Drain Driving	2.4	
$t_{sk(0)}$	Channel-to-Channel Skew			0.5	ns
Data Rate			Push-Pull Driving	24	Mbps
			Open-Drain Driving	2	

APPLICATION INFORMATION

Applications

The SGM4553 can be used to bridge the digital-switching compatibility gap between two voltage nodes to successfully interface logic threshold levels found in electronic systems. It should be used in a point-to-point topology for interfacing devices or systems operating at different interface voltages with one another. Its primary target application use is for interfacing with open-drain drivers on the data I/Os such as I²C or 1-wire, where the data is bidirectional and no control signal is available. The SGM4553 can also be used in applications where a push-pull driver is connected to the data I/Os.

Architecture

The SGM4553 architecture (see Figure 1) is an auto-direction-sensing based translator that does not require a direction-control signal to control the direction of data flow from A to B or from B to A.

These two bidirectional channels independently determine the direction of data flow without a direction-control signal. Each I/O pin can be automatically reconfigured as either an input or an output, which is how this auto-direction feature is realized.

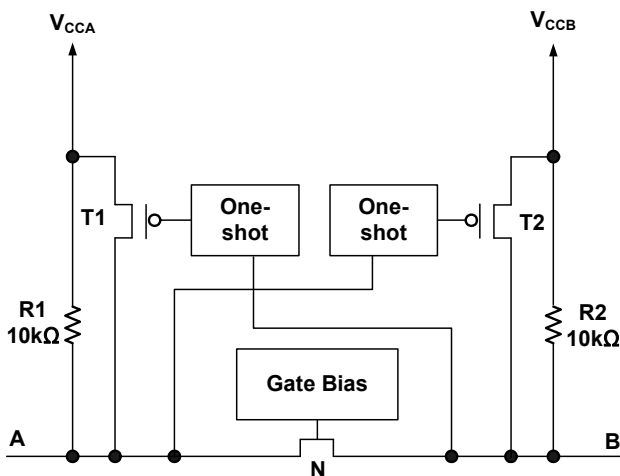


Figure 1. Architecture of an SGM4553 Cell

The SGM4553 employs two key circuits to enable this voltage translation:

- An N-channel pass-gate transistor topology that ties the A port to the B port.
- Output one-shot (O.S.) edge-rate accelerator circuitry to detect and accelerate rising edges on the A or B ports.

Input Driver Requirements

The fall time (t_{fA} , t_{fB}) of a signal depends on the output impedance of the external device driving the data I/Os of the SGM4553. Similarly, the t_{PHL} and data rates also depend on the output impedance of the external driver. The values for t_{fA} , t_{fB} , t_{PHL} , and data rates in the datasheet assume that the output impedance of the external driver is less than 50Ω.

Power Up

During operation, ensure that $V_{CCA} \leq V_{CCB}$ at all times. The sequencing of each power supply will not damage the device during the power up operation, so either power supply can be ramped up first.

Output Load Considerations

We recommend careful PCB layout practices with short PCB trace lengths to avoid excessive capacitive loading and to ensure that proper O.S. triggering takes place. PCB signal trace-lengths should be kept short enough such that the round trip delay of any reflection is less than the one-shot duration. This improves signal integrity by ensuring that any reflection sees a low impedance at the driver. The O.S. circuits have been designed to stay on for approximately 30ns. The maximum capacitance of the lumped load that can be driven also depends directly on the one-shot duration. With very heavy capacitive loads, the one-shot can time-out before the signal is driven fully to the positive rail. The O.S. duration has been set to best optimize trade-offs between dynamic I_{CC} , load driving capability, and maximum bit-rate considerations. Both PCB trace length and connectors add to the capacitance that the SGM4553 output sees, so it is recommended that this lumped-load capacitance be considered to avoid O.S. retriggering, bus contention, output signal oscillations, or other adverse system-level affects.

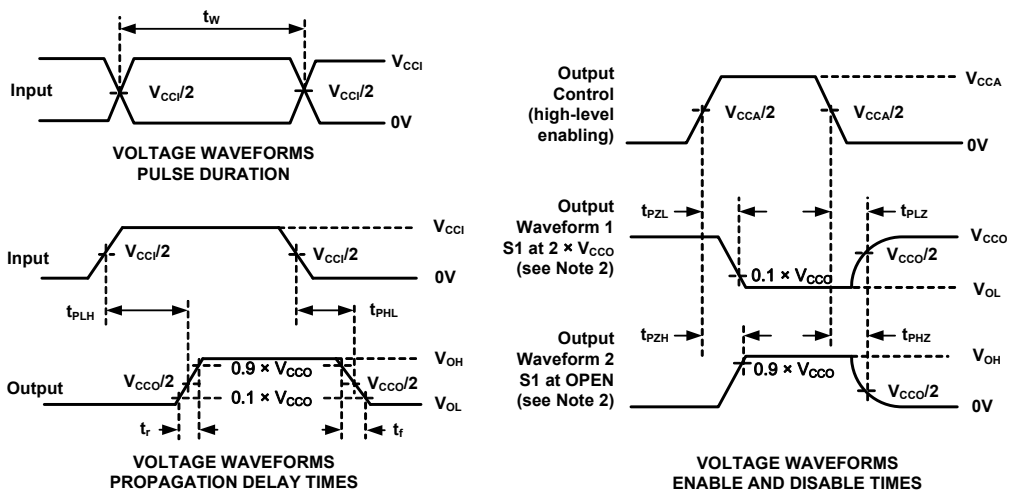
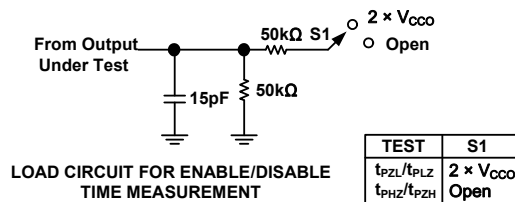
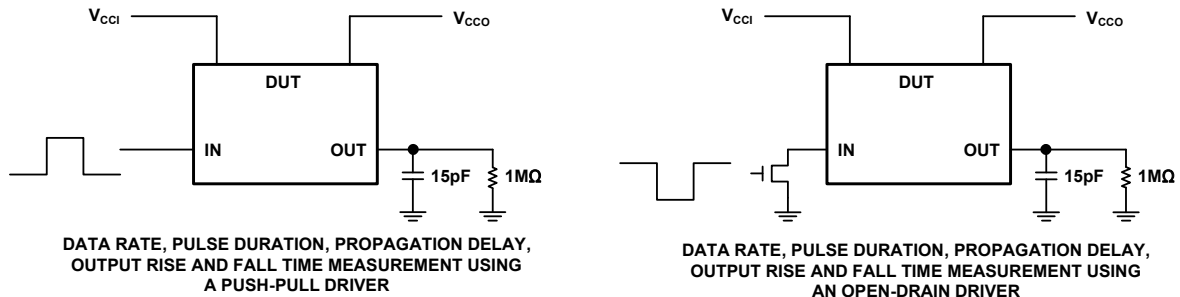
APPLICATION INFORMATION**Enable and Disable**

The SGM4553 has an OE input that is used to disable the device by setting OE low, which places all I/Os in the Hi-Z state. OE has an internal pull-down current source, as long as V_{CCA} is powered. The disable time (t_{DIS}) indicates the delay between the time when OE goes low and when the outputs are disabled (Hi-Z). The enable time (t_{EN}) indicates the amount of time the user must allow for the one-shot circuitry to become operational after OE is taken high.

Pull-Up or Pull-Down Resistors on I/O Lines

Each A port I/O has an internal 10k Ω pull-up resistor to V_{CCA} , and each B port I/O has an internal 10k Ω pull-up resistor to V_{CCB} . If a smaller value of pull-up resistor is required, an external resistor must be added from the I/O to V_{CCA} or V_{CCB} (in parallel with the internal 10k Ω resistors). Adding lower value pull-up resistors will affect V_{OL} levels, however. The internal pull-ups of the SGM4553 are disabled when the OE pin is low.

PARAMETER MEASUREMENT INFORMATION



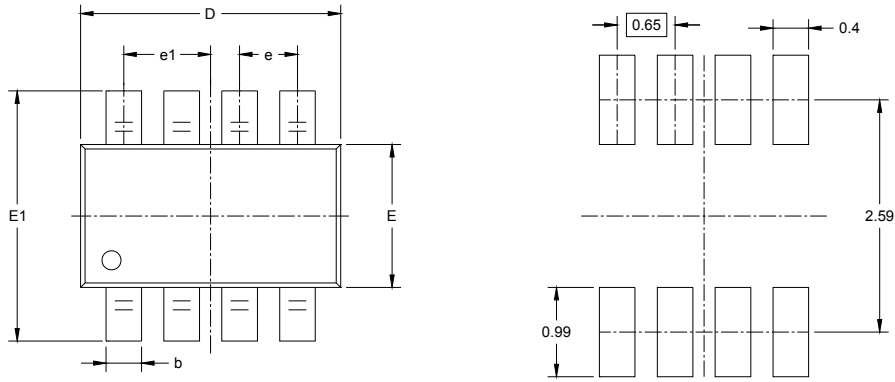
NOTES:

- C_L includes probe and jig capacitance.
- Waveform 1 is for an output with internal conditions such that the output is low, except when disabled by the output control. Waveform 2 is for an output with internal conditions such that the output is high, except when disabled by the output control.
- All input pulses are supplied by generators having the following characteristics: $PRR \leq 10\text{MHz}$, $Z_O = 50\Omega$, $dv/dt \geq 1\text{V/ns}$.
- The outputs are measured one at a time, with one transition per measurement.
- t_{PLZ} and t_{PHZ} are the same as t_{DIS} .
- t_{PZL} and t_{PZH} are the same as t_{EN} .
- t_{PLH} and t_{PHL} are the same as t_{PD} .
- V_{CCI} is the V_{CC} associated with the input ports.
- V_{CCO} is the V_{CC} associated with the output ports.
- All parameters and waveforms are not applicable to all devices.

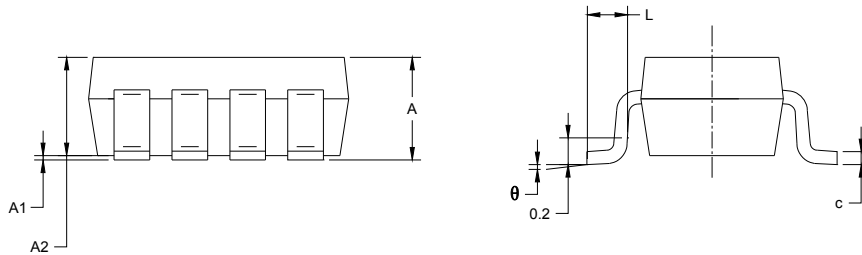
Figure 2. Load Circuit and Voltage Waveforms

PACKAGE OUTLINE DIMENSIONS

SOT-23-8



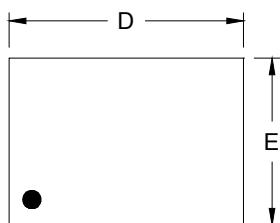
RECOMMENDED LAND PATTERN (Unit: mm)



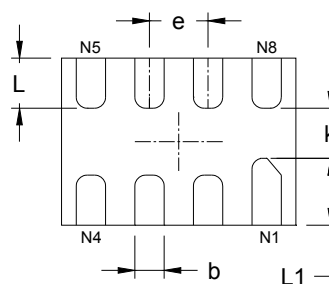
Symbol	Dimensions In Millimeters		Dimensions In Inches	
	MIN	MAX	MIN	MAX
A	1.050	1.250	0.041	0.049
A1	0.000	0.100	0.000	0.004
A2	1.050	1.150	0.041	0.045
b	0.300	0.500	0.012	0.020
c	0.100	0.200	0.004	0.008
D	2.820	3.020	0.111	0.119
E	1.500	1.700	0.059	0.067
E1	2.650	2.950	0.104	0.116
e	0.650 BSC		0.026 BSC	
e1	0.975 BSC		0.038 BSC	
L	0.300	0.600	0.012	0.024
θ	0°	8°	0°	8°

PACKAGE OUTLINE DIMENSIONS

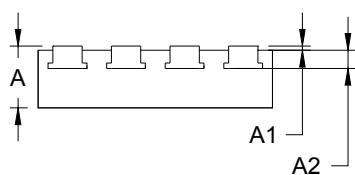
XTDFN-1.4×1-8L



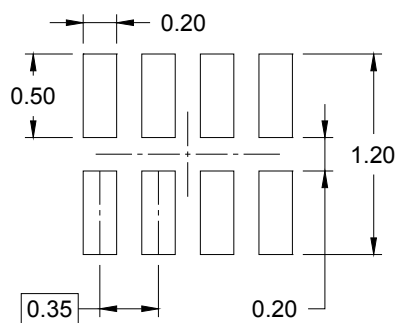
TOP VIEW



BOTTOM VIEW



SIDE VIEW

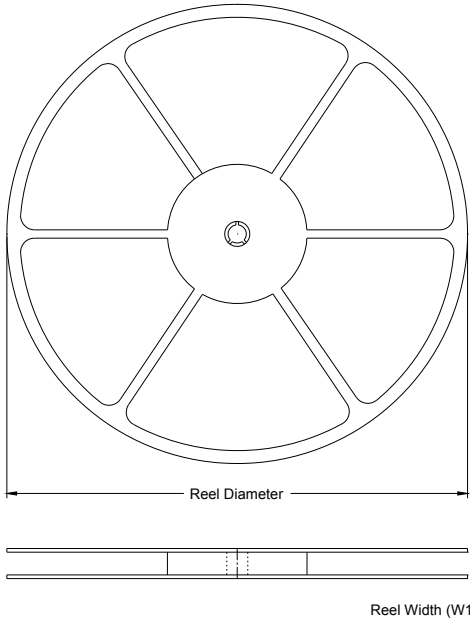


RECOMMENDED LAND PATTERN (Unit: mm)

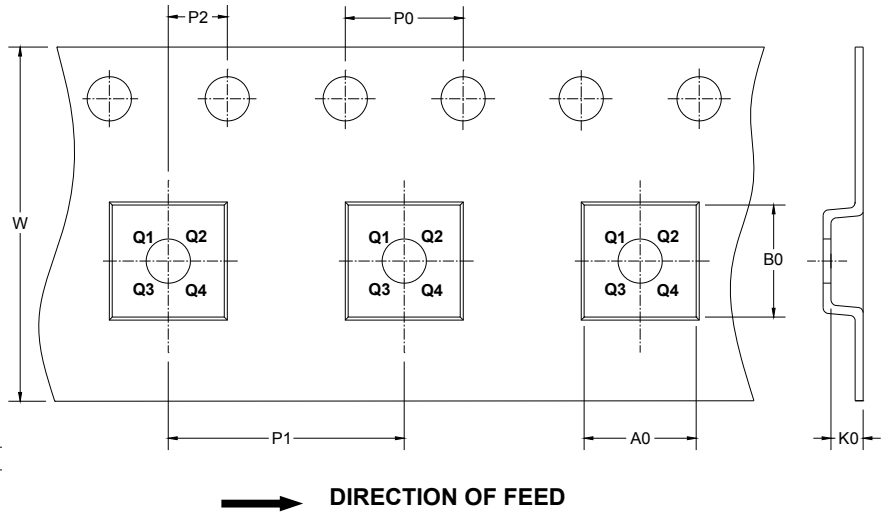
Symbol	Dimensions In Millimeters		Dimensions In Inches	
	MIN	MAX	MIN	MAX
A	0.340	0.400	0.013	0.016
A1	0.000	0.050	0.000	0.002
A2	0.110 REF		0.004 REF	
D	1.350	1.450	0.053	0.057
E	0.950	1.050	0.037	0.041
k	0.200 MIN		0.008 MIN	
b	0.150	0.200	0.006	0.008
e	0.350 TYP		0.014 TYP	
L	0.250	0.350	0.010	0.014
L1	0.350	0.450	0.014	0.018

TAPE AND REEL INFORMATION

REEL DIMENSIONS



TAPE DIMENSIONS



NOTE: The picture is only for reference. Please make the object as the standard.

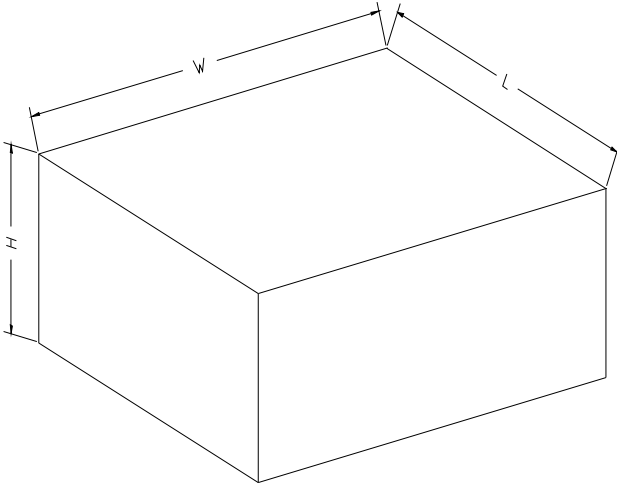
KEY PARAMETER LIST OF TAPE AND REEL

Package Type	Reel Diameter	Reel Width W1 (mm)	A0 (mm)	B0 (mm)	K0 (mm)	P0 (mm)	P1 (mm)	P2 (mm)	W (mm)	Pin1 Quadrant
SOT-23-8	7"	9.5	3.17	3.23	1.37	4.0	4.0	2.0	8.0	Q3
XTDFN-1.4×1-8L	7"	9.5	1.15	1.6	0.5	4.0	4.0	2.0	8.0	Q1

SGM4553

2-Bit Bidirectional Voltage-Level Translator for Open-Drain and Push-Pull Applications

CARTON BOX DIMENSIONS



NOTE: The picture is only for reference. Please make the object as the standard.

KEY PARAMETER LIST OF CARTON BOX

Reel Type	Length (mm)	Width (mm)	Height (mm)	Pizza/Carton
7" (Option)	368	227	224	8
7"	442	410	224	18

单击下面可查看定价，库存，交付和生命周期等信息

[>>SGMICRO\(圣邦微电子\)](#)