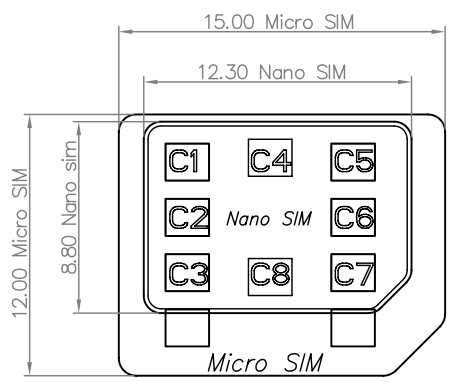
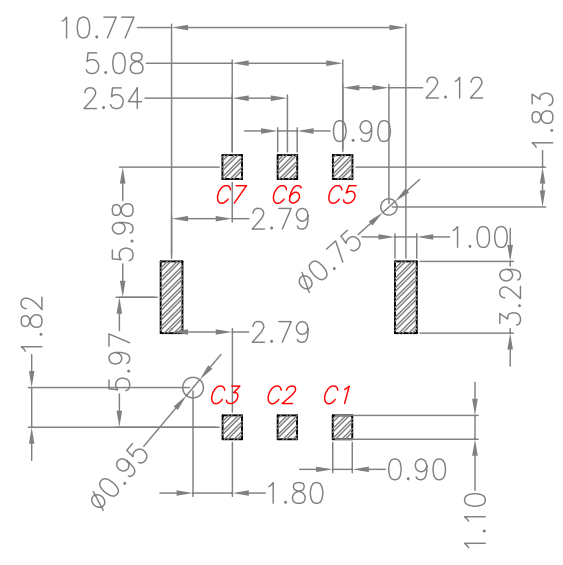


SIM pin assignment	
PIN#	Name
C1	VCC供电电压
C2	RST重置
C3	CLK时钟
C5	GND接地
C6	VPP程序电压
C7	I/O输入输出




Specification



**MATERIAL:**  
 Insulator: High Temperature Thermoplastic, UL 94V-0,  
 Contact: C5210  
 SHELL: SUS

**PLATING:**  
 Contact: Plated 50u" Ni Overall Contact ALL Au 1U,  
 Shell: Plated 50u" Ni Overall, PAD Au 1U

**Electrical:**  
 Current Rating :0.5mA AC/DC max.  
 Voltage Rating :125V AC/DC  
 Ambient Temperature Range :-20° C+60° C  
 Storage Temperature Range :-40° C+70° C  
 Ambient Humidity Range :95% R.H. Max.  
 Contact Resistance:100mΩmax.  
 Insulation Resistance:1000Ωmin./500VDC  
 Mating Cycles:10,000 Insertions  
 Reflow peak temp.: 260° C ±5° C, 3"5 S  
 Mating Cycles:3,000 Insertions Min



## 深圳市华宇创精密电子有限公司

<b>TOLERANCE:</b> X.X ±0.30 X.XX ±0.25 X.XXX ±0.15 X." ±2" X.X" ±0.5"	<b>DRAWN BY :</b> 陈一鸣	<b>DATE :</b> 2014-02-23	<b>PART NAME:</b> NANO SIM NO PUSH 1.35H 带柱
	<b>CHECKED BY:</b> 马跃	<b>DATE :</b> 2014-02-23	<b>PART NO.</b> HVC75-SIM06-135
  <b>UNIT: mm [inch]</b> <b>SCALE:1:1 SIZE: A4</b>	<b>APPROVED BY:</b>	<b>DATE :</b> 2014-02-23	<b>DRAW NO:</b> HVC-SIM15101409
			<b>SHEET NO.</b> 1 OF 1

单击下面可查看定价，库存，交付和生命周期等信息

[>>华宇创](#)