

# HIGH VOLTAGE DC CONTACTOR ECK150B SERIES

UP TO 200AMP, BI-DIRECTIONAL

## INTRODUCTION

ECK150B series high-voltage DC contactor is designed for control in new energy applications. The ECK150B product line is an innovative and reliable solution for EV charging stations, solar inverters, battery energy storage systems, automated-guided vehicles (AGV) and e-Forklifts. ECK150B is hermetically sealed with ceramic technology and enable high switching capability under 1000VDC. The special contacts design makes it allow bi-directional load to improve reliability and connection efficiency.

## FEATURES

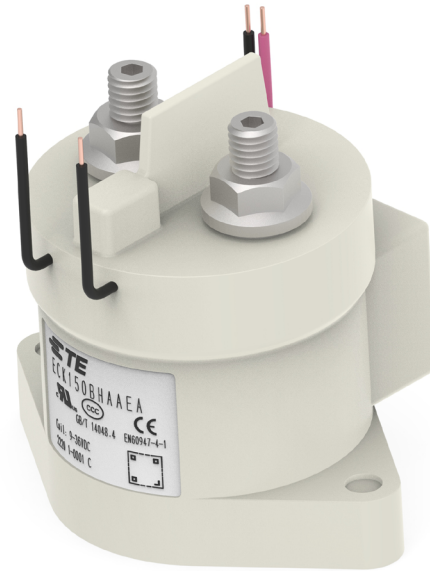
- Hermetically sealed with ceramic technology
- Allow bi-directional load for main contacts
- Designed with built-in economizer, hold power 1.7W
- Continuous current carrying capacity of 200A
- Maximum DC breaking current at 1500A
- Maximum DC breaking voltage at 1000VDC
- Auxiliary contact version available
- Compatibility with DC-1 utilization category in IEC60947-4-1

## APPLICATIONS

- DC Charging station
- Electric vehicle
- AGV
- Electric forklift
- Energy storage systems
- Photovoltaic inverter
- DC converter
- Battery protection board

## APPROVALS

- CE: 724-00006
- UL: E82292
- TUV: R50616662
- CCC approved



# High Voltage DC Contactor ECK150B Series

## CONTACT DATA

Contact current	200A
Max. Switching voltage	1000VDC
Contact arrangement	1 Form X (SPST-NO-DM)
Initial contact resistance	≤ 0.4mΩ (150A, after 1 minute)
Operate time, max. (At 23°C)	30ms
Release time, max. (At 23°C)	10ms
Mechanical life:	
With auxiliary contact	200,000 cycles
Without auxiliary contact	500,000 cycles

## CONTACT RATINGS

Load	Cycles
150A, 450VDC, make/break, resistive	6000
150A, 1000VDC, make/break, resistive	1000

### Note:

- Only typical rating listed, please refer to make/break curves in next page for more details at different current and voltage.

## OTHER DATA

Material compliance: EU RoHS/ELV, China RoHS, REACH, Halogen content refer to the product Compliance Support Center at <a href="http://www.te.com/customersupport/rohssupportcenter">www.te.com/customersupport/rohssupportcenter</a>	
Ambient temperature	-40°C to 85°C
Vibration resistance (functional)	Sine, 10-2000Hz, 6G
Shock resistance (functional)	11ms 1/2 Sine, Peak 20G
Terminal type	Screw for contact, wire for coil
Weight	~400g
Packaging/Unit	Box/24 pcs.

## COIL VERSIONS, DC COIL

Coil Code	Nominal Voltage	Nominal Operating Current	Max Starting Current	Operating Voltage	Maximum Operating Voltage	Release Voltage	Coil Power
A	9-36VDC	0.13A@12VDC 0.07A@24VDC	3.6A	≤9VDC	36VDC	≥3VDC	Start: 43.2W Hold: 1.7W

### Note:

All figures are given for coil without pre-energization, at ambient temperature +23°C.

## CE DECLARATION (IEC60947-4-1)

Rated Operational Current	Utilization Category	Switching Cycles
100A	DC-1	6,050

## AUXILIARY CONTACT DATA

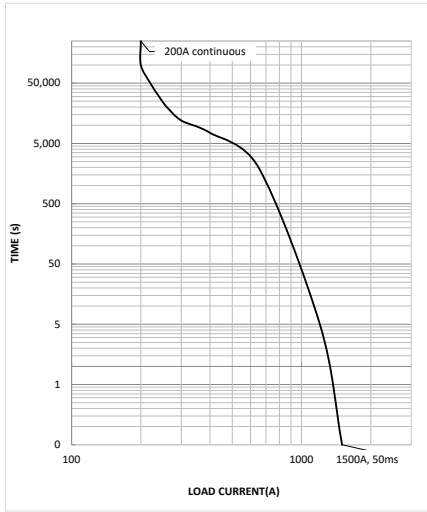
Contact form	1 Form A (SPST-NO)
Contact current, Max.	2A, 30VDC
Contact current, Min.	10mA, 24VDC
Contact resistance, Max.	0.4Ω @ 30VDC

## INSULATION DATA

<b>Dielectric Withstand Voltage (leakage current &lt;1mA)</b>	
Between open main contacts	4300Vrms
Between main contact and coil	4300Vrms
Between main contacts and aux contacts	4300Vrms
Between open aux contacts	750Vrms
<b>Initial Insulation Resistance @ 1000VDC</b>	
Between insulated elements	> 1x10 <sup>9</sup> Ω

# High Voltage DC Contactor ECK150B Series

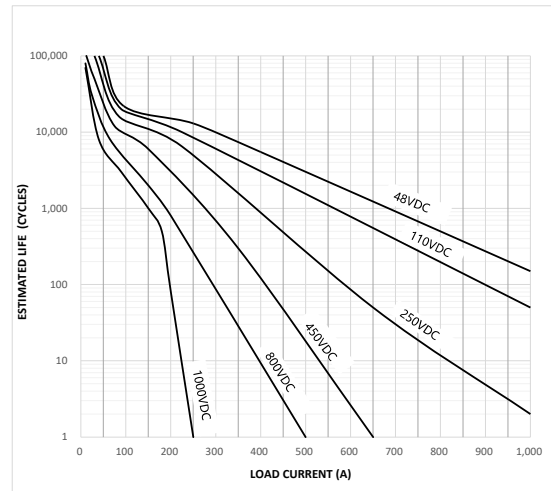
## CURRENT CARRYING CAPABILITY CURVE



### Notes:

- The data is measured at the environment temperature 85°C with cross section area of wire 95mm<sup>2</sup> min. Smaller cable cross section wires are also allowed depending on the end users conditions.
- For short circuit current, the curve ends at 1500A 50ms, for higher current short circuit capability, recommend end user to evaluate with the fuse together or consult with TE engineers.

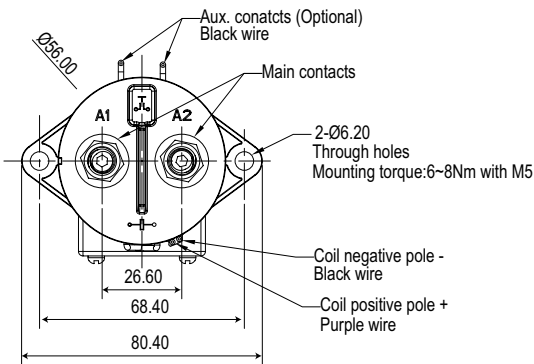
## ESTIMATED MAKE & BREAK POWER SWITCHING RATINGS



### Notes:

- The curve was created based on extrapolated data with few typical points, users are recommended to confirm performance in actual application.
- The typical data were estimated with resistive load at room temperature.
- For 1000VDC curve, >200Amp load is evaluated with "break only" test condition.

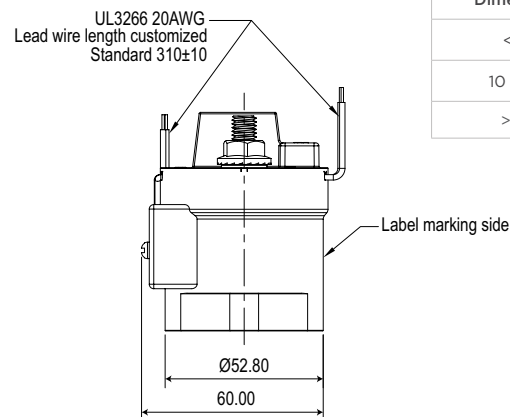
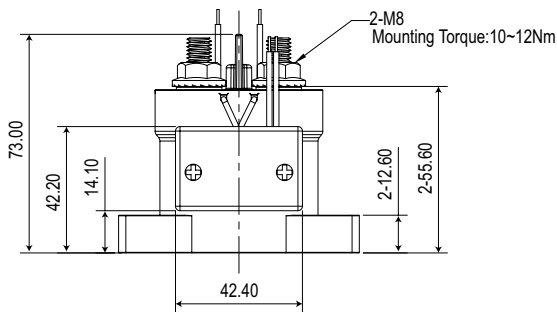
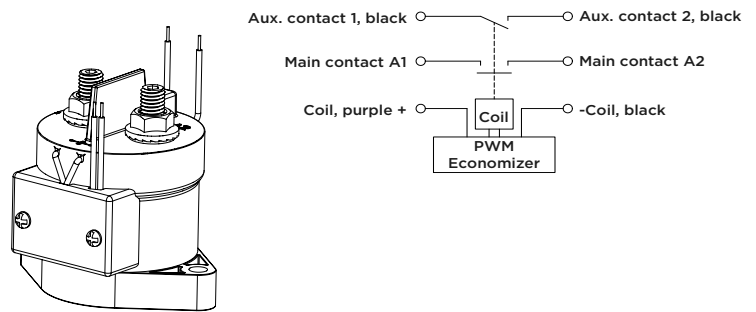
## DIMENSIONS (Unit: mm)



### Notes:

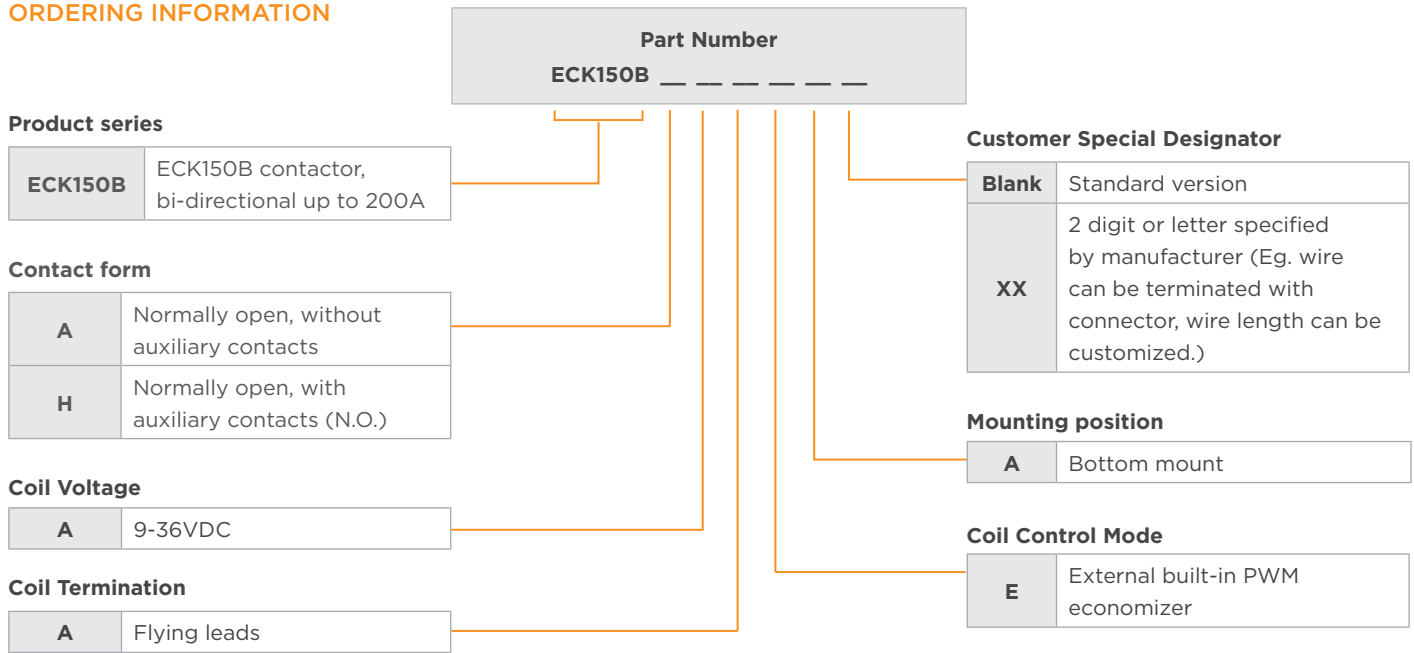
- Coil connection with positive and negative difference.

## CIRCUIT DIAGRAM



General Tolerance	
Dimension	Tolerance
<10	±0.3
10 - 50	±0.6
>50	±1.0

## ORDERING INFORMATION



## PRODUCT PART NUMBER TABLE

Product Code	Contact Form	Mounting Position	Coil	Coil Control Mode	Part Number
ECK150BAAAEA	Normally open, without auxiliary contacts	Bottom	9-36VDC	External built-in PWM economizer	<a href="#">2071576-1</a>
ECK150BHAAEA	Normally open, with auxiliary contacts (N.O.)				<a href="#">2071576-2</a>

### Note:

Only typical part numbers are listed above, other types please contact TE engineer.

## CAUTIONS

- Do not use the product when product is dropped or broken.
- Avoid mounting the contactor with the main contact screw terminals in downward direction, otherwise the contactor performance will not be guaranteed.
- Please connect coils correctly according to the Circuit Diagram guide in the datasheet, there is polarity difference, when the connection polarity is reversed, the product cannot operate. The main contact terminals and auxiliary contact terminals does not have polarity difference.
- There are diodes built in the PWM economizer of the coil inside the contactor, additional diodes are not required.
- Please consider electromagnetic interference when using the product.
- Screw locking torque of main contact terminals should be 10-12 N·m for M8 screw. Screw locking torque of product bottom mounting should be 6-8 N·m for M5 screw.
- Suitable for applications under Uimp 6kV.

## te.com

©2024 TE Connectivity Ltd. Family of Companies. All Rights Reserved.

TE Connectivity, TE connectivity (logo) and Every Connection Counts are trademarks owned or licensed by the TE Connectivity family of companies. All other logos, products and/or company names referred to herein might be trademarks of their respective owners.

While TE has made every reasonable effort to ensure the accuracy of the information in this document, TE does not guarantee that it is error-free, nor does TE make any other representation, warranty or guarantee that the information is accurate, correct, reliable or current. TE reserves the right to make any changes to the information contained herein without prior notice. TE Connectivity assumes only those obligations set forth in the terms and conditions for this product and shall in no event be liable for any incidental, indirect, or consequential damages arising out of the sale, resale, use, or misapplication of the product. TE expressly disclaims any implied warranties with respect to the information contained herein, including, but not limited to, implied warranties of merchantability or fitness for a particular purpose. Dimensions, specifications and/or information contained herein are for reference purposes only and are subject to change without notice. Consult TE for the latest dimensions, specifications and/or information. Users of TE Connectivity products must make their own assessment as to whether the respective product is suitable for the respective desired application.

Issue Date: 03/24 ED

单击下面可查看定价，库存，交付和生命周期等信息

[>>TE Connectivity\(泰科\)](#)