

THIS DRAWING IS UNPUBLISHED.

RELEASED FOR PUBLICATION

20

© COPYRIGHT 20 BY -

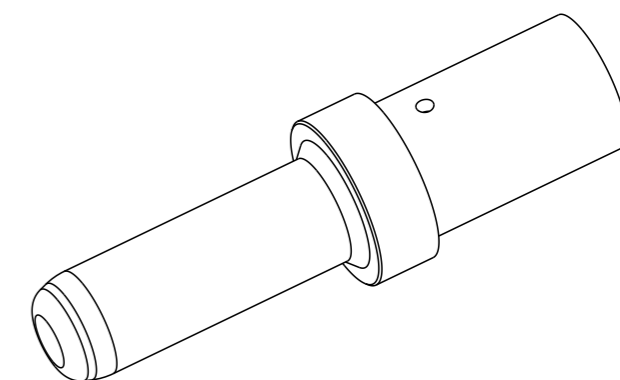
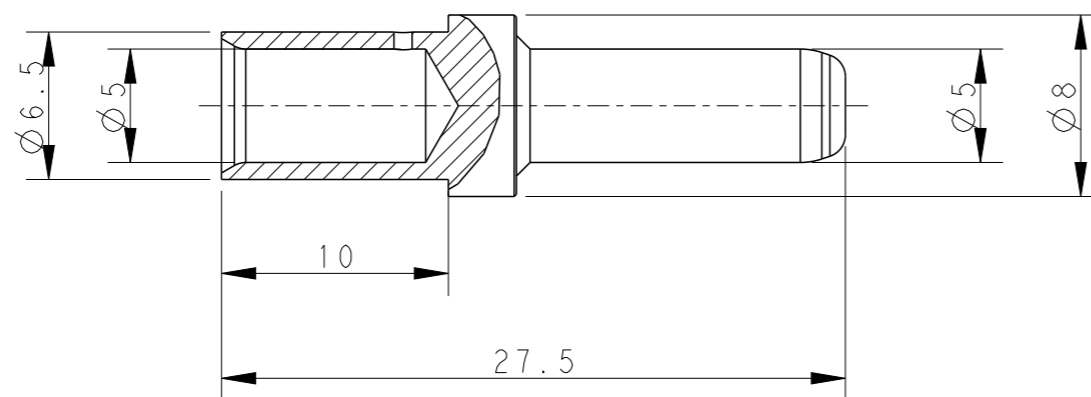
ALL RIGHTS RESERVED.

REVISIONS

P	LTR	DESCRIPTION	DATE	DWN	APVD
	A	INITIAL RELEASED	24FEB2023	QY	CW
	A1	ECR-24-201675	19MAR2024	QY	CW


NOTES:
 1. TECHNICAL CHARACTERISTICS:
 CONTACT MATERIAL: COPPER
 SURFACE PLATING: SILVER PLATING
 WIRE RANGE: 10~12 mm²

注释:
 1. 技术参数:
 公针材料: 铜合金
 表面电镀: 镀银
 接线范围: 10~12 mm²



T2410001160-000	MCSM10-12	Ø5MM MALE CONTACT, SILVER PLATED, 10~12MM ² Ø5MM公针, 镀银, 10~12MM ²
-----------------	-----------	--

PART NUMBER 料号	PART DESCRIPTION 描述
-------------------	------------------------

THIS DRAWING IS A CONTROLLED DOCUMENT.		DWN 24FEB2023 QIANG YUAN	 TE Connectivity DIA 5MM MALE CONTACT				
DIMENSIONS: mm		CHK 24FEB2023 GINO YAO			NAME		
TOLERANCES UNLESS OTHERWISE SPECIFIED:		APVD 24FEB2023 CHRIS WANG			PRODUCT SPEC		
0 PLC ±- 1 PLC ±- 2 PLC ±- 3 PLC ±- 4 PLC ±- ANGLES ±-		APPLICATION SPEC			108-137664		
MATERIAL	FINISH	WEIGHT	114-137664	SIZE	CAGE CODE	DRAWING NO	RESTRICTED TO
-	-	-	-	A3	00779	©-T2410001160000	-
CUSTOMER DRAWING				SCALE	SHEET	OF	REV
				3:1	1	1	A1

单击下面可查看定价，库存，交付和生命周期等信息

[>>TE Connectivity\(泰科\)](#)