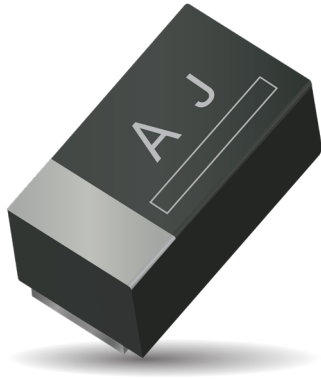


TCS Series

Chip Tantalum Capacitors (Extra Large Capacitance)



FEATURES

- Ta-MnO₂ technology
- Low DCL
- High CV
- Parameters stability over voltage and time
- Undertab LF

APPLICATIONS

- For high component density PCB design
- DC/DC
- Industrial
- Telecom
- IoT
- Home applications
- Sensors

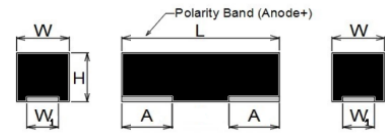
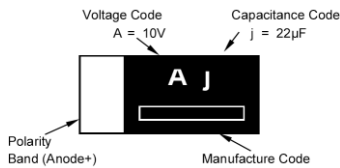


LEAD-FREE
LEAD-FREE COMPATIBLE
COMPONENT



RoHS
COMPLIANT

MARKING



CASE DIMENSIONS:

millimeters (inches)

Code	EIA Code	EIA Metric	L+0.20-0.00 (0.008)	W±0.10 (0.004)	H+0.20-0.00 (0.008)	W ₁ ±0.10 (0.004)	A±0.10 (0.004)
M	0603	1608-10	1.60 (0.063)	0.85 (0.033)	0.80 (0.031)	0.55 (0.022)	0.50 (0.020)
P	0805	2012-12	2.00±0.20 (0.079±0.008)	1.25±0.20 (0.049±0.008)	1.20 (0.047) max.	0.85±0.20 (0.033±0.008)	0.50 (0.020)
PS	0805	2012-09	2.00±0.20 (0.079±0.008)	1.25±0.20 (0.049±0.008)	0.90 (0.035) max.	0.85±0.20 (0.033±0.008)	0.50 (0.020)

HOW TO ORDER

TCS

Type

M □

Case Size
See table above

1A

Rated DC Voltage
0G = 4Vdc
0J = 6.3Vdc
1A = 10Vdc
1C = 16Vdc
1D = 20Vdc

226

Capacitance Code
pF code: 1st two digits represent significant figures, 3rd digit represents multiplier (number of zeros to follow)

M

Tolerance
M = ±20%

8R

Packaging
8 = Tape width
R = Positive electrode on the side opposite to sprocket hole

-

□ □ □

Discrimination code

TECHNICAL SPECIFICATIONS

Technical Data:	All technical data relate to an ambient temperature of +25°C
Capacitance Range:	10µF to 220µF
Capacitance Tolerance:	±20%
Leakage Current DCL:	Please see the ratings and part number reference table below
Temperature Range:	-55°C to +125°C

TCS Series

Chip Tantalum Capacitors (Extra Large Capacitance)

CAPACITANCE AND RATED VOLTAGE RANGE (LETTER DENOTES CASE SIZE)

Capacitance		Rated Voltage DC (V _R) @ 85°C					Cap Code
μF	Code	4V(g)	6.3V(j)	10V (A)	16V (C)	20V(D)	
10	106				M	P	a
22	226			M			j
47	476		M	P, PS			s
100	107	M	P				ā
150	157		P				ē
220	227	P					j̄

Released ratings

Note: Voltage ratings are minimum values. KYOCERA AVX reserves the right to supply higher ratings in the same case size, to the same reliability standards.

RATINGS & PART NUMBER REFERENCE

Part No.	Case Size	Capacitance (μF)	Rated Voltage (V)	Maximum Operating Temp. (°C)	DCL Max. (μA)	DF Max. (%)	ESR @100kHz (Ω)	MSL
4 Volt								
TCSM0G107M8R-AV1	M	100	4	125	80.0	40	2	2
TCSM0G107M8R-V1	M	100	4	125	80.0	40	4	2
TCSP0G227M8R-V1	P	220	4	125	88.0	40	3	2
6.3 Volt								
TCSM0J476M8R-V1	M	47	6.3	125	29.7	40	4	2
TCSP0J107M8R-V1	P	100	6.3	125	63.0	40	3	2
TCSP0J157M8R-V1	P	150	6.3	125	95.0	40	3	2
10 Volt								
TCSM1A226M8R	M	22	10	125	11.0	30	5	2
TCSM1A226M8R-02	M	22	10	125	11.0	30	5	2
TCSP1A476M8R	P	47	10	125	24.0	30	4	2
TCSP1A476M8R-V1	PS	47	10	125	23.5	30	*	2
16 Volt								
TCSM1C106M8R	M	10	16	125	8.0	20	6	2
20 Volt								
TCSP1D106M8R	P	10	20	125	10.0	20	6	2

*Impedance 4Ω

Moisture Sensitivity Level (MSL) is defined according to J-STD-020.

All technical data relates to an ambient temperature of +25°C.

Capacitance and DF are measured at 120Hz, 0.5RMS with DC bias of 1.5 volts.

DCL is measured at rated voltage after 5 minutes.

ESR allowed to move up to 1.25 times catalog limit post mounting.

NOTE: KYOCERA AVX reserves the rights to supply higher voltage rating in the same case size, to the same reliability standards.

TCS Series

Chip Tantalum Capacitors (Extra Large Capacitance)

QUALIFICATION TABLE

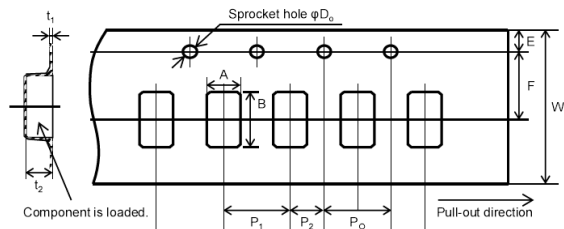
TEST	TCS series (Temperature range -55°C to +125°C)						
	Condition			Characteristics			
Endurance	Apply rated voltage (Ur) at 85°C for 1000hrs through a serial resistance of $\leq 3.0\Omega$. Stabilize at room temperature for 24 hours before measuring.			Visual examination	no visible damage		
				DCL	2x initial limit		
				$\Delta C/C$	within $\pm 20\%$ of initial value (M, PS case), $\pm 30\%$ (P case)		
				DF	2x initial limit		
Humidity	Store at $60\pm 2^\circ\text{C}$, 90-95% relative humidity for 500+ 12/0 hours. Stabilize at room temperature and humidity for 24 hours before measuring.			Visual examination	no visible damage		
				DCL	2x initial limit		
				$\Delta C/C$	within $\pm 30\%$ of initial value (M, P case), $\pm 20\%$ (PS)		
				DF	2x initial limit		
Temperature Stability	Step	Temperature°C	Duration(min)		-55°C	+85°C	+125°C
	1	-55	15	DCL	n/a	10xIL*	12.5xIL*
	2	+85	15	$\Delta C/C$	0/-30% (M case) +15/-50% (P case) 0/-15% (PS case)	+15/-5% (M, P case) +15/0% (PS case)	+20/-5% ((M, P case) +20/0% (PS case)
	3	+125	15		DF	IL*	IL*
Surge Voltage	Apply 1.3x rated voltage (Ur) at $85\pm 2^\circ\text{C}$ for 1000 cycles, 300sec charge and 30sec discharge resistance 1000 Ω .			Visual examination	no visible damage		
				DCL	2x initial limit		
				$\Delta C/C$	$\pm 30\%$ of initial limit (M, P case), $\pm 20\%$ (PS)		
				DF	2x initial limit		
Vibration	4.17 JIS C 5101-1 Frequency: 10 to 55 to 10Hz/min. Amplitude: 1.5mm Time: 2hours each in X and Y directions			Visual examination	no visible damage		
				DCL	initial limit		
				$\Delta C/C$	within $\pm 5\%$ of initial value		
				DF	initial limit		

*Initial Limit

For use outside of recommended conditions and special request, please contact KYOCERA AVX.

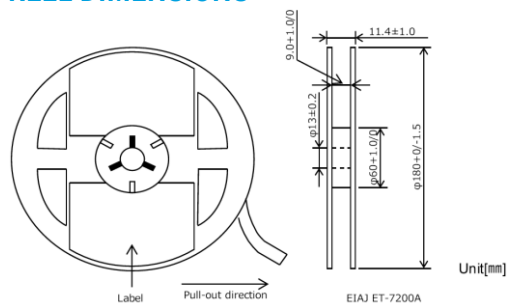
Initial measurement max. 1hr after the removal from dry pack or after pretreatment at 85°C for 24 hours.

PACKAGING SPECIFICATIONS



Case	A ± 0.10	B ± 0.10	W ± 0.20	E ± 0.10	F ± 0.05	P1 ± 0.10	P2 ± 0.05	PO ± 0.10	DO+0.10/0	t1 ± 0.05	t2 ± 0.10	Standard packaging quantity
M	1.15	2.00	8.00	1.75	3.50	4.00	2.00	4.00	$\phi 1.50$	0.20	1.00	3,000 pcs
P	1.55	2.30	8.00	1.75	3.50	4.00	2.00	4.00	$\phi 1.55\pm 0.05$	0.25	1.32	3,000 pcs
PS	1.60	2.40	8.00	1.75	3.50	4.00	2.00	4.00	$\phi 1.50$	0.25	1.05 ± 0.05	3,000 pcs

REEL DIMENSIONS



单击下面可查看定价，库存，交付和生命周期等信息

[>>AVX](#)