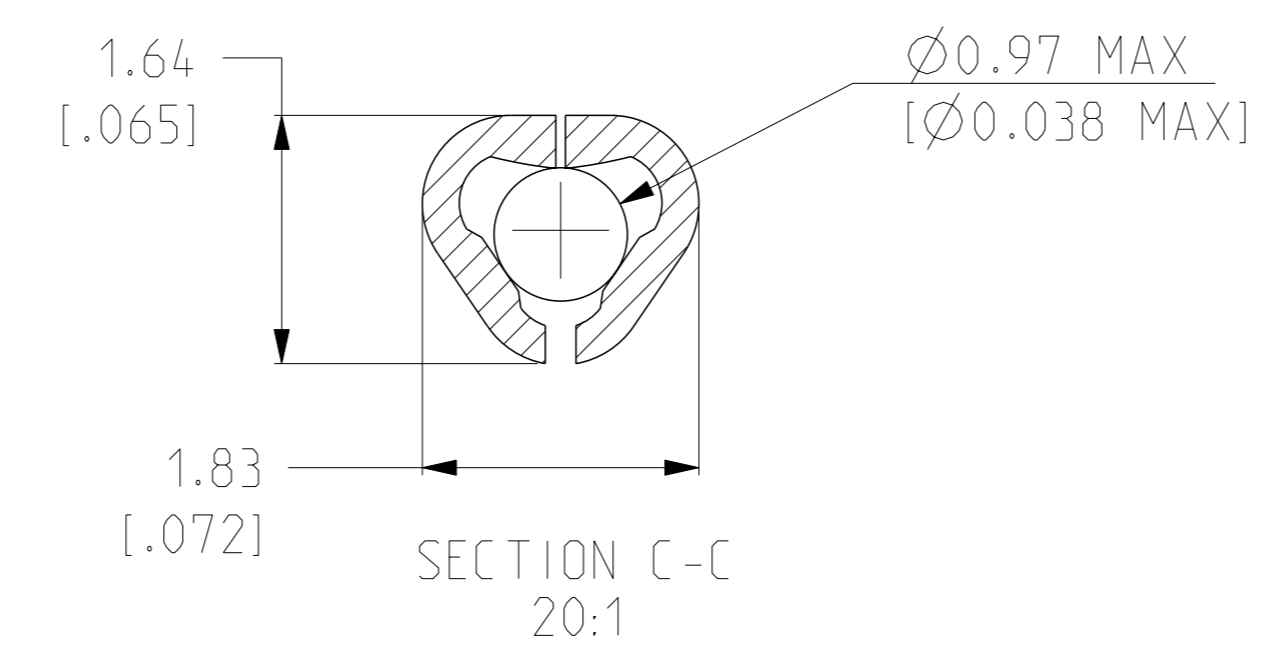
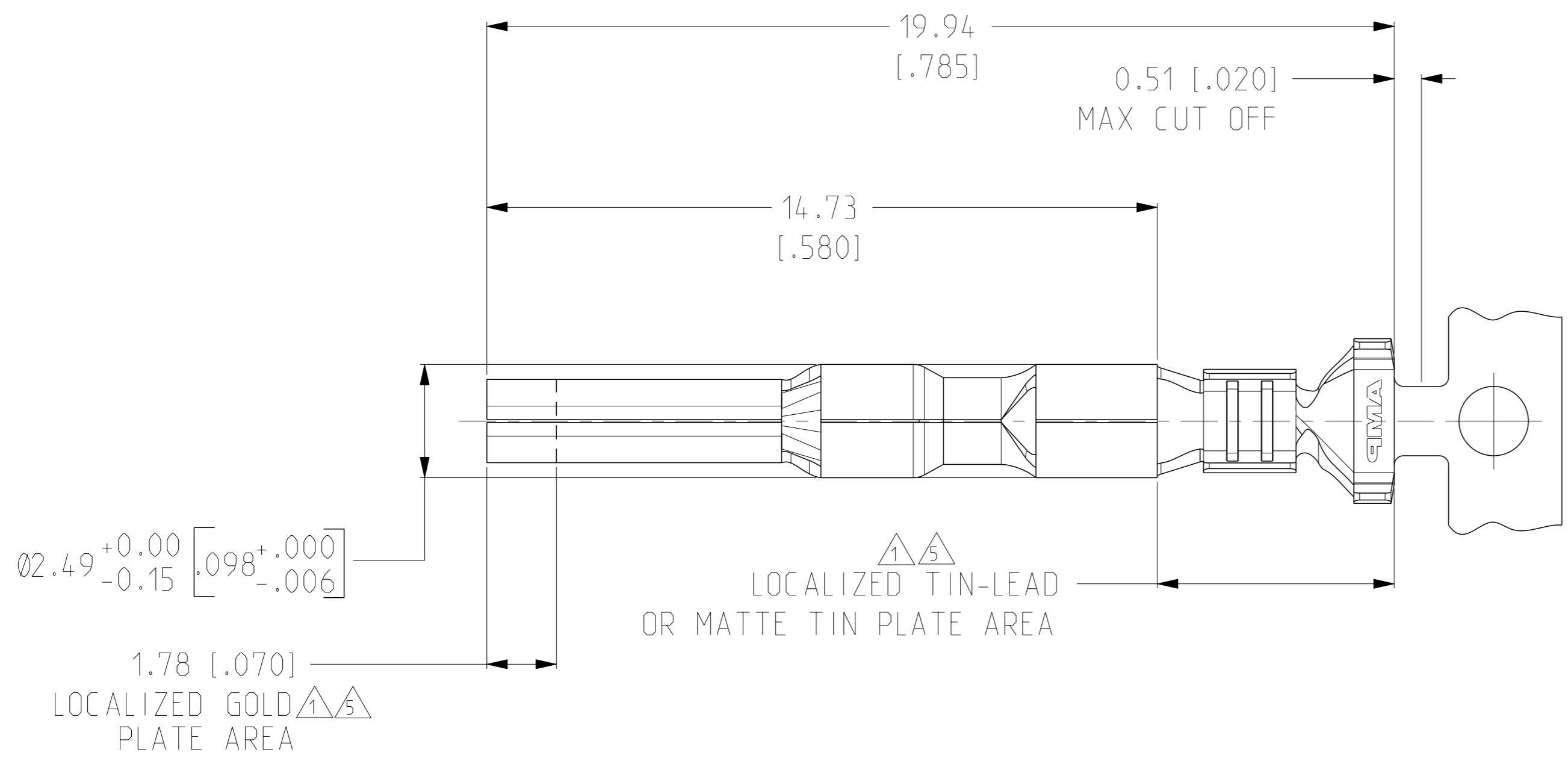
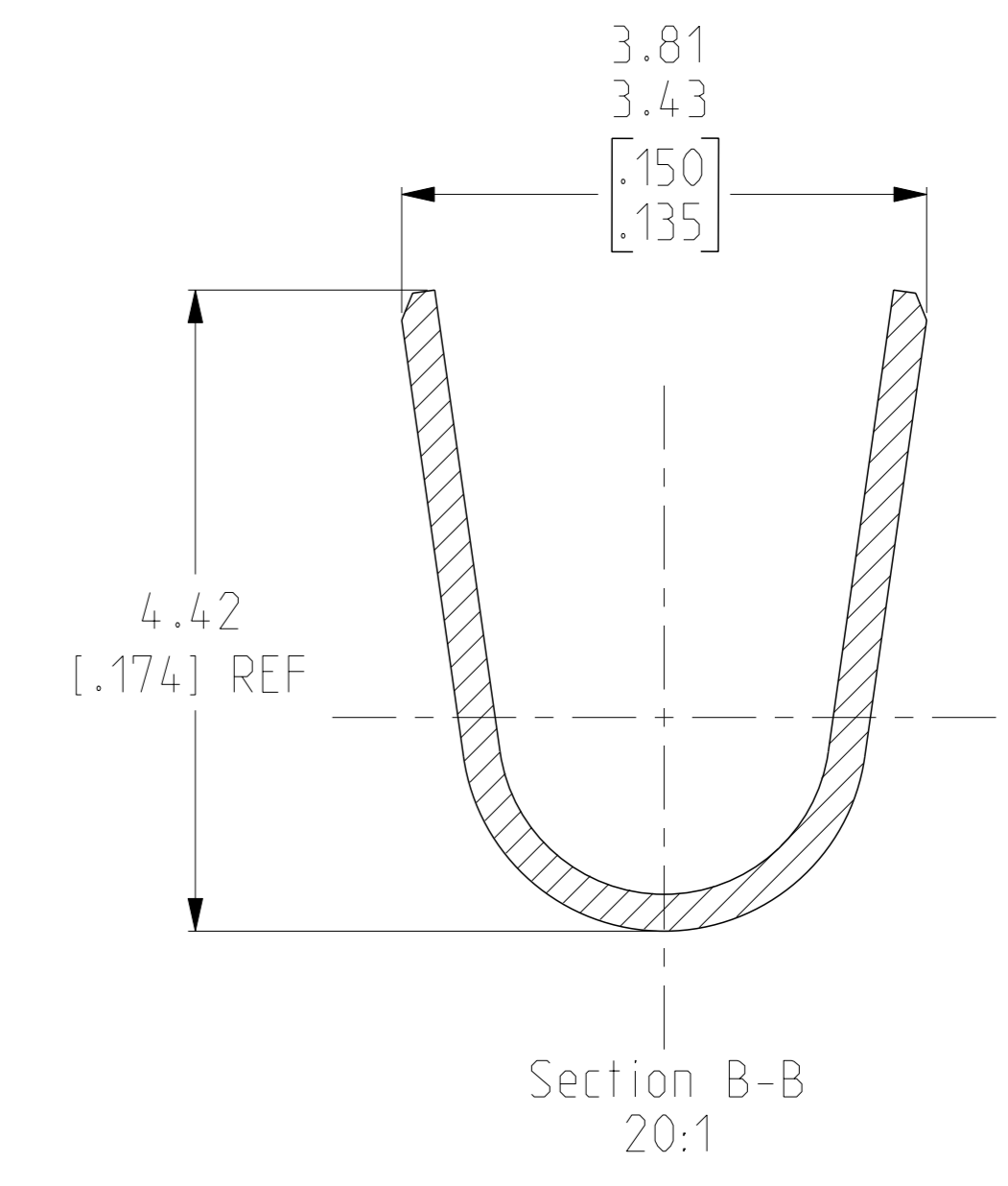
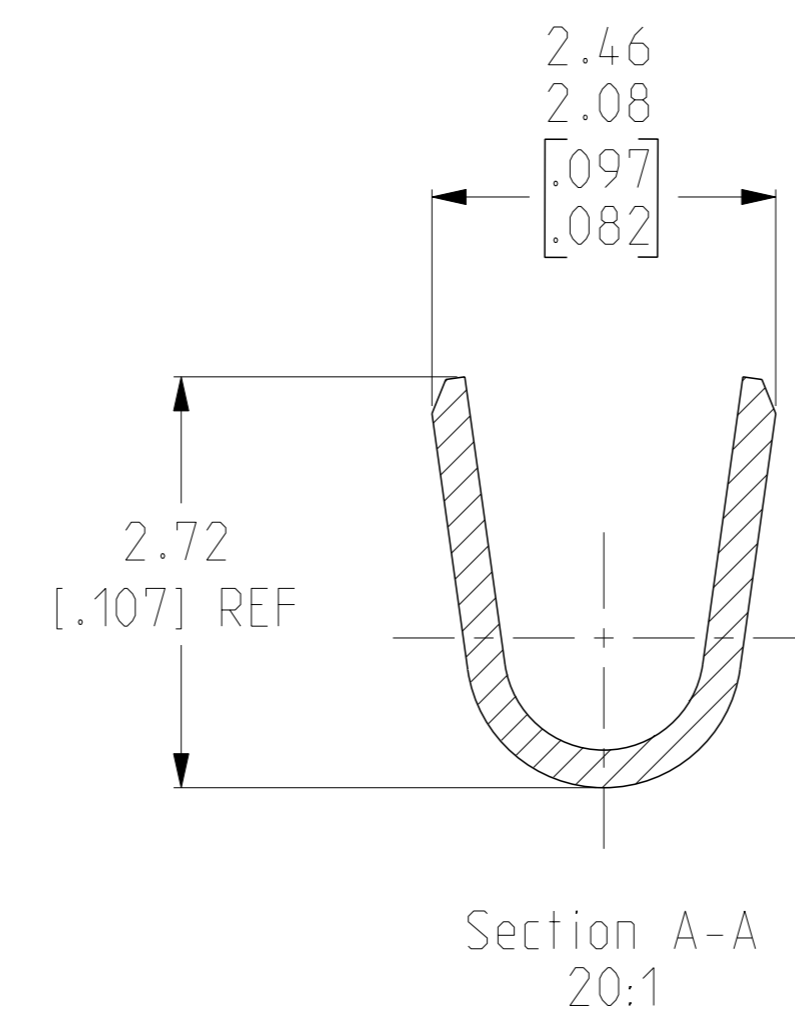
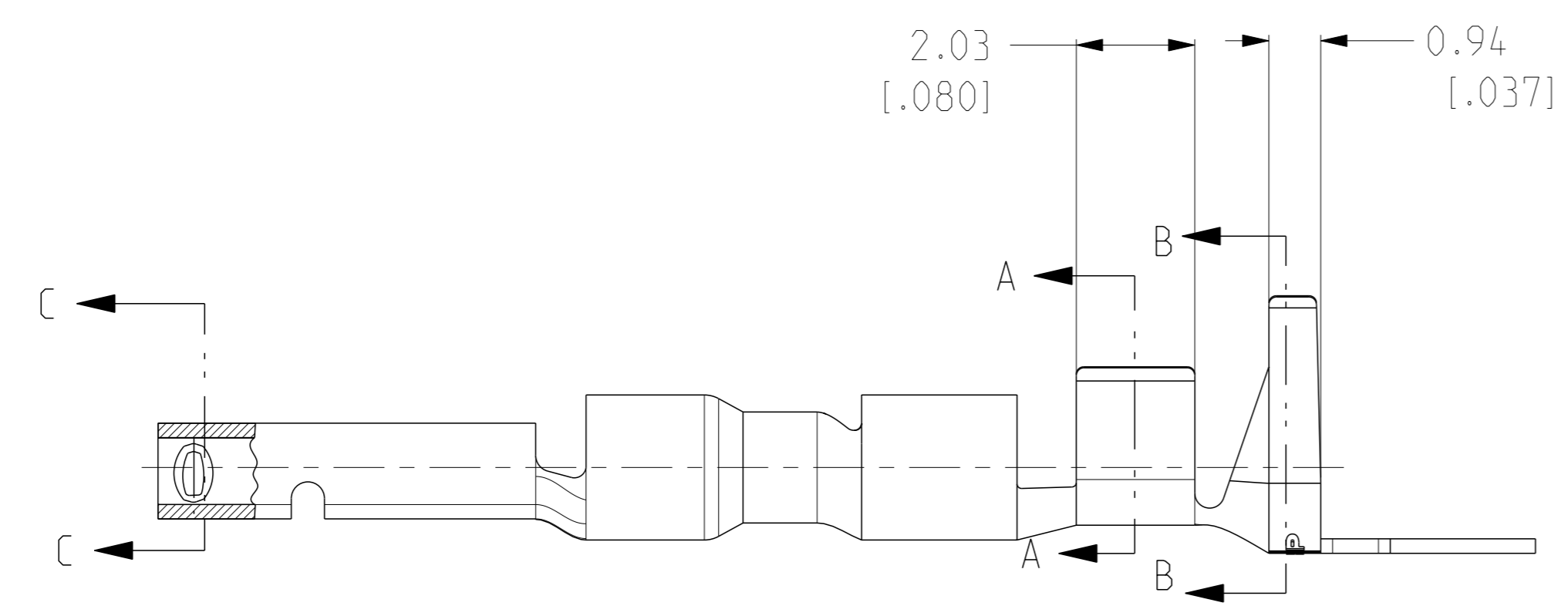


REVISIONS				
#	DATE	DESCRIPTION	DATE	APPV
K	19NOV2018	REDRAWN PER ECR-17-012487	BDA	SG
K1	13AUG2020	REDRAWN PER ECR-20-100305	PJ	VS
K2	19JAN2024	REVISED PER ECR-23-195306	MV	JP

- 1 0.00076 [.000030] MIN GOLD IN LOCALIZED GOLD PLATE AREA AND 0.00254 [.000100] MIN BRIGHT TIN-LEAD IN LOCALIZED TIN-LEAD PLATE AREA OVER 0.0013 [.000050] MIN NICKEL.
 - 2 WIRE RANGE: 0.3-0.9MM² (22-18 AWG).
 - 3 INSULATION RANGE: 1.50-2.39 [.059-.094] DIA.
 - 4 DIMENSIONS IN BRACKETS ARE IN INCHES.
- 5 0.00076 [.000030] MIN GOLD IN LOCALIZED GOLD PLATE AREA AND 0.00254 [.000100] MIN MATTE TIN IN LOCALIZED TIN PLATE AREA OVER 0.0013 [.000050] MIN NICKEL.



1	0.25 [.010] BRASS	1-794221-0
2	0.25 [.010] BRASS	794221-3
PRE TIN	0.25 [.010] BRASS	794221-1
FINISH	MATERIAL	PART NUMBER

THIS DRAWING IS A CONTROLLED DOCUMENT.

DIMENSIONS: mm [INCHES]	TOLERANCES UNLESS OTHERWISE SPECIFIED:	OWN: R. VESTAL 1-15-97	CHK: R. SWING 1-15-97	APV: D. SWING 1-15-97	NAME: SOCKET, MINI UNIVERSAL MATE-N-LOK 2
0 PLC ±	1 PLC ±	2 PLC ±	3 PLC ±	4 PLC ±	SIZE: A1
ANGLES: °	FINISH: *	WEIGHT: -	CAGE CODE: -	DRAWING NO: 00779	RESTRICTED TO: -
MATERIAL: SEE TABLE	FINISH: SEE TABLE	WEIGHT: -	SCALE: 5:1	SHEET: 1 OF 1	REV: K2

Customer Drawing

单击下面可查看定价，库存，交付和生命周期等信息

[>>TE Connectivity\(泰科\)](#)