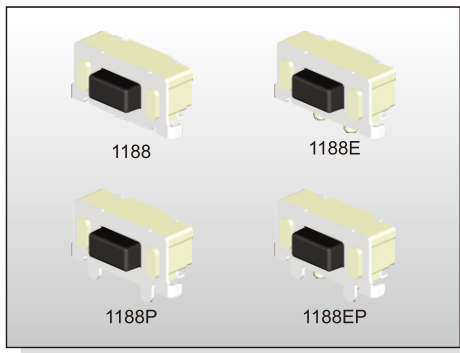


TACT SWITCH 1188 SERIES

3.5x7
SMT & Side Push Type



FEATURES

- ※Side actuated
- ※Support / Ground pins options
- ※High solder strength

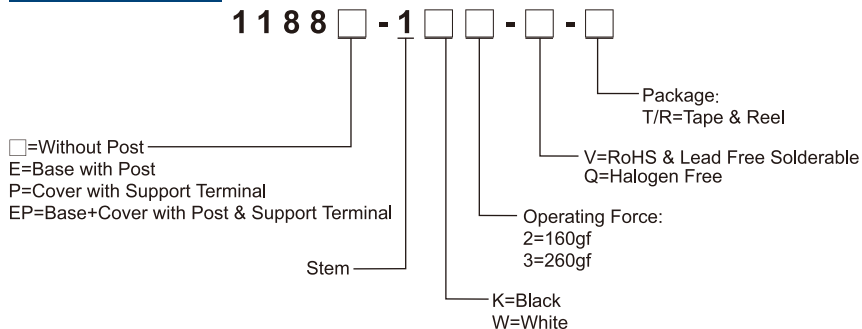
APPLICATION

- ※Audio, OA equipment
- ※Instrumentation
- ※Remote control

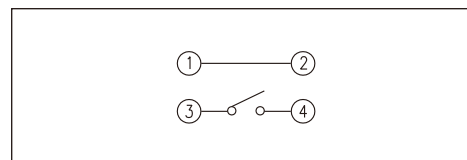
SPECIFICATION

Contact Rating	50mA, 12V DC
Contact Resistance	100mΩ max.
Insulation Resistance	100MΩ min. 500V DC
Dielectric Strength	250V AC/1 minute
Operating Force	160±50gf/260±50gf
Travel	0.25mm
Operating Life	30,000 cycles for 260gf 50,000 cycles for 160gf
Operating Temp.	-25°C ~ +70°C
Storage Temp.	-40°C ~ +80°C

HOW TO ORDER



CIRCUIT

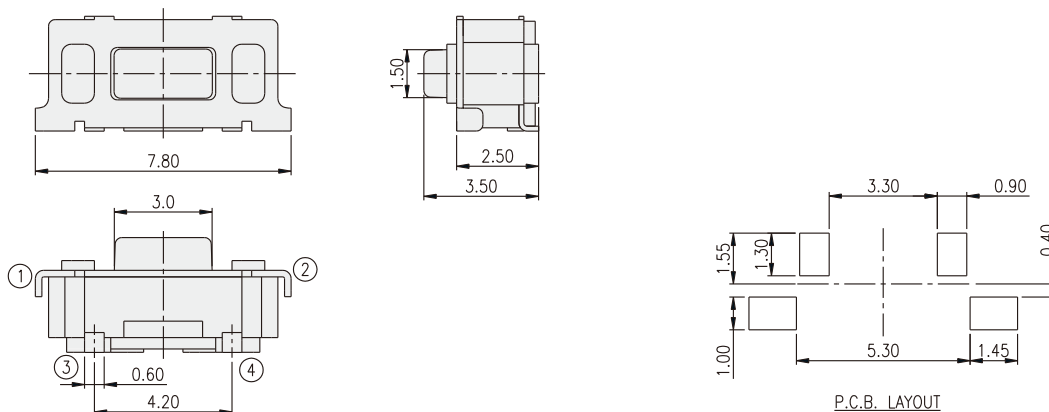


PACKAGE

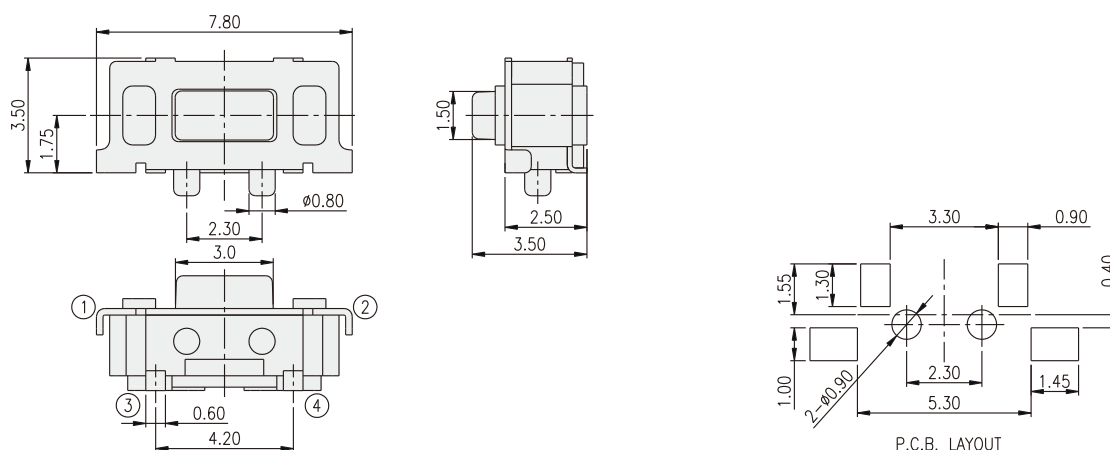
<Tape & Reel>
1500 pcs

TACT SWITCH

1188



1188E

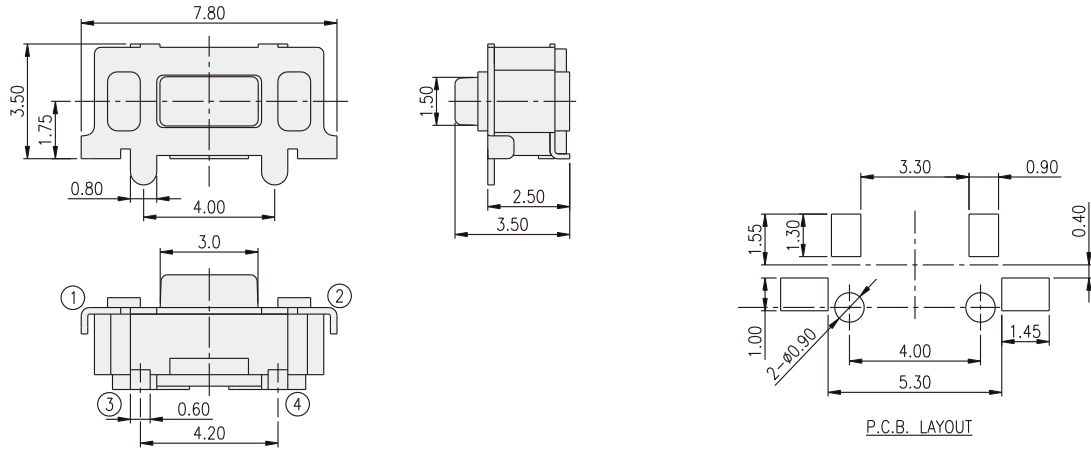


TACT SWITCH
1188 SERIES

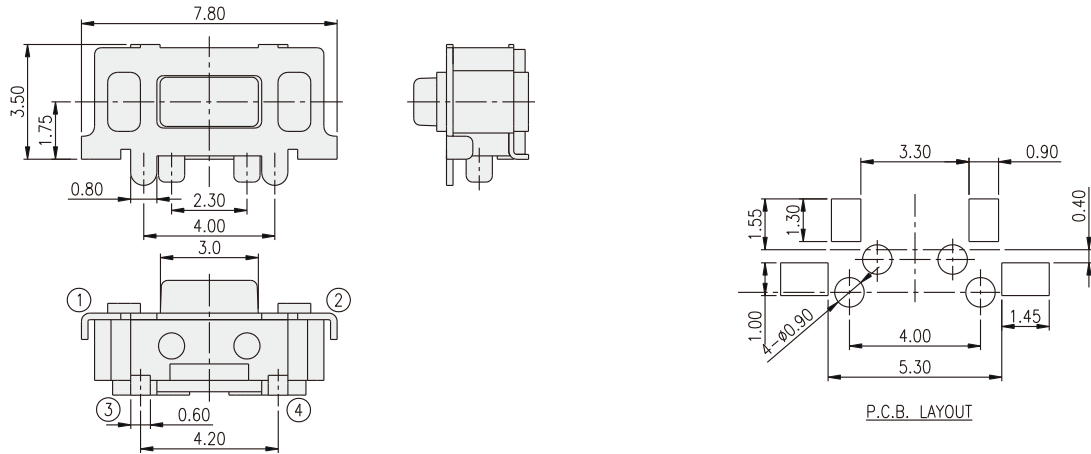
3.5x7
SMT & Side Push Type



1188P



1188EP



TACT SWITCH

单击下面可查看定价，库存，交付和生命周期等信息

[>>Diptronics\(圆达\)](#)