

Description

The SiT9501 is a differential ApexMEMS™ oscillator that is engineered for low-jitter applications requiring standard frequencies from 25 MHz to 644.53125 MHz.

In addition to standard differential signaling types, a unique FlexSwing™ output-driver performs like LVPECL and provides independent control of voltage swing and DC offset to simplify interfacing with chipsets having non-standard input voltage requirements and eliminate all external source-bias resistors. The device also integrates multiple on-chip regulators to filter power supply noise, eliminating the need for an external dedicated LDO.

The SiT9501 can be factory programmed for specific combinations of frequency, stability, output signaling, voltage, and output enable functionality. Programmability enables designers to optimize clock configurations while eliminating long lead times and customization costs associated with quartz devices where each combination is custom built.

The wide frequency range and programmability makes this device ideal for communications, enterprise, and industrial applications that require a variety of frequencies and operate in noisy environments.

Refer to [Manufacturing Notes](#) for proper reflow profile, tape and reel dimension, and other manufacturing related information.

Features

- Standard frequencies from 25 MHz to 644.53125 MHz
- 45 fs RMS typical phase jitter for SerDes applications
- 9 fs/mV typical PSNR
- LVPECL, LVDS, HCSL, Low-power HCSL, and FlexSwing signaling options
- ±20, ±25, ±30, and ±50 ppm frequency stabilities
- Wide temperature range (-40°C to 105°C)
- Factory programmable options for low lead time
- 1.8 V, 2.5 V, 3.3 V, and wide continuous power supply voltage range options
- 2 x 1.6, 2.5 x 2, 3.2 x 2.5 mm x mm package ([Contact SiTime](#) for 7 x 5, and 5 x 3.2 mm x mm packages)

Applications

- 400G/800G network equipment
- Optical modules
- Coherent optics
- Network switches, routers
- Industrial networking equipment
- Test and measurement

Block Diagram

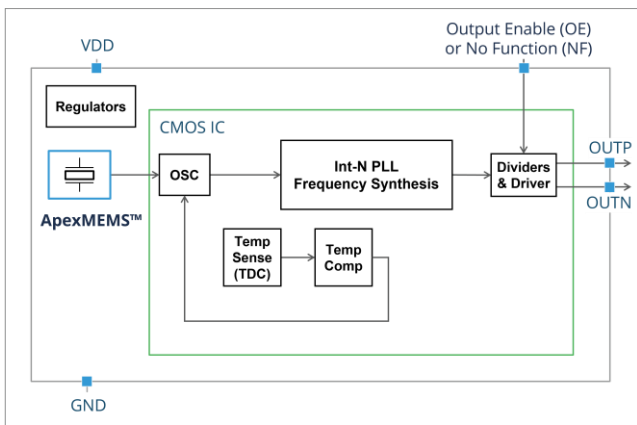


Figure 1. SiT9501 Block Diagram

Package Pinout

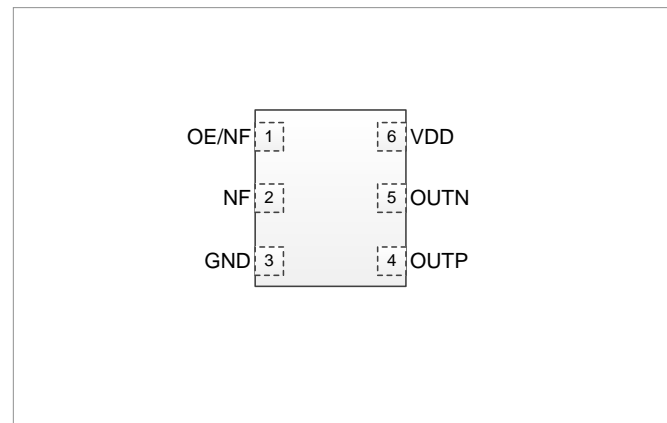


Figure 2. Pin Assignments (Top view)
(Refer to [Table 16](#) for Pin Descriptions)

SiT9501 features 45 fs RMS phase jitter for SerDes applications. Figure 3 shows the phase noise (green curve) observed by the system, after accounting for aliased phase noise when filtering (gray curve) the measured SiT9501 phase noise (blue curve). This “4-16A” phase jitter analysis methodology more accurately estimates reference clock

jitter than the legacy “12 kHz to 20 MHz” brick-wall filter methodology. It can be applied to all modern SerDes applications to optimize system performance. See “4-16A” [Phase Jitter Methodology for SerDes Applications](#) for more information.

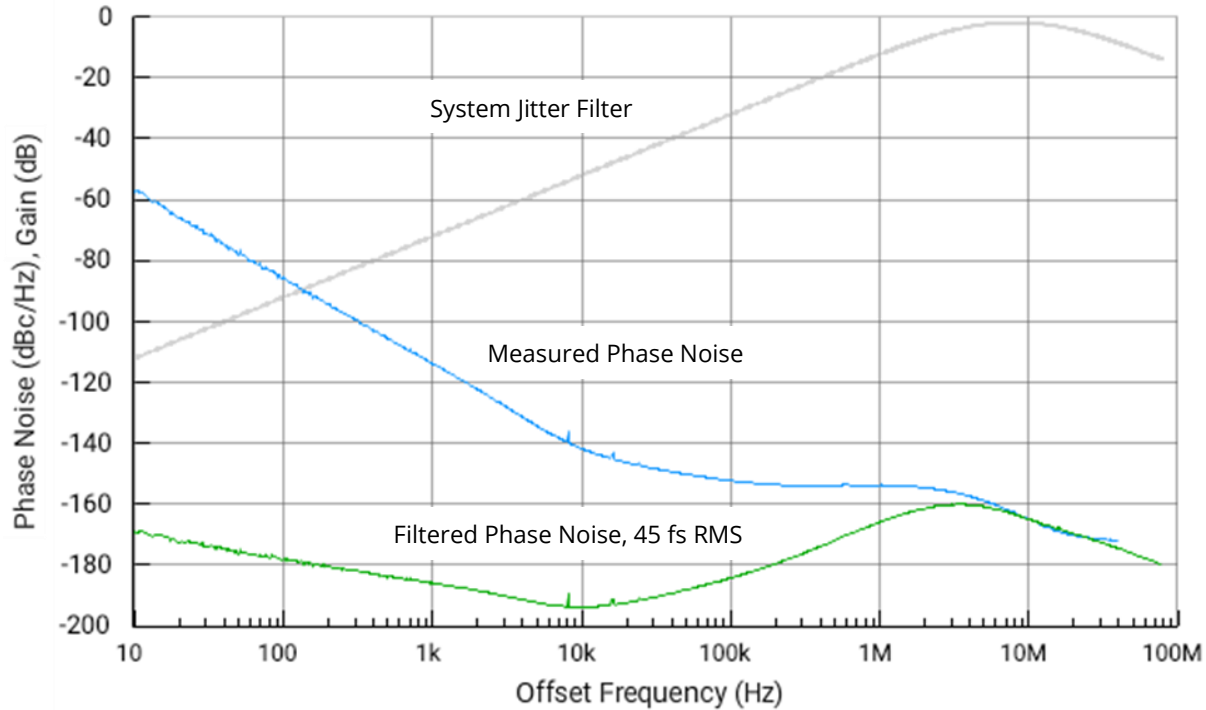
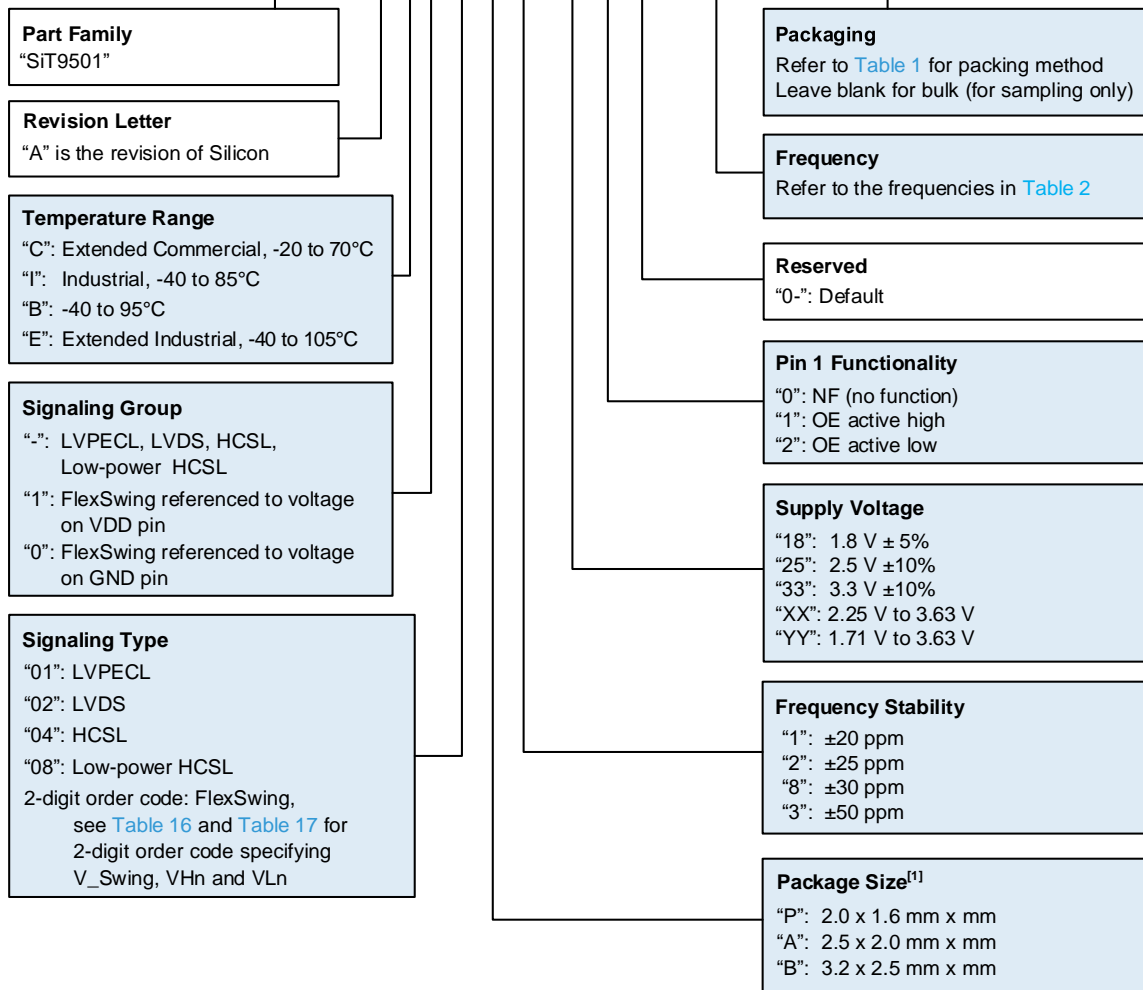


Figure 3. Phase noise before and after filtering for SiT9501 (156.25 MHz, LVPECL, 2.5V, 25°C). The filter is applied to analyze phase noise with aliasing included up to the 3rd harmonic and features first-order filter cutoff frequencies of 4 MHz (high pass) and 16 MHz (low pass).

Ordering Information

SiT9501AC-01P2-3310-156.250000D



Note:

1. Contact SiTime for other package sizes.

Table 1. Ordering Codes for Supported Tape & Reel Packing Method

| Device Size (mm x mm) | 8 mm T&R (3ku) | 8 mm T&R (1ku) | 8 mm T&R (250u) |
|-----------------------|----------------|----------------|-----------------|
| 2.0 x 1.6 | D | E | G |
| 2.5 x 2.0 | D | E | G |
| 3.2 x 2.5 | D | E | G |

Table 2. Supported Frequencies

| | | | | | | | |
|----------------|----------------|----------------|----------------|----------------|----------------|----------------|----------------|
| 25.000000 MHz | 39.062500 MHz | 50.000000 MHz | 53.125000 MHz | 62.500000 MHz | 78.125000 MHz | 125.000000 MHz | 156.250000 MHz |
| 161.132813 MHz | 250.000000 MHz | 312.500000 MHz | 322.265625 MHz | 390.625000 MHz | 625.000000 MHz | 644.531250 MHz | |

Table Of Contents

| | |
|--|----|
| Description | 1 |
| Features | 1 |
| Applications | 1 |
| Block Diagram | 1 |
| Package Pinout | 1 |
| Ordering Information | 3 |
| Electrical Characteristics | 5 |
| Pin Description | 15 |
| “4-16A” Phase Jitter Methodology for SerDes Applications..... | 16 |
| FlexSwing Configurations..... | 18 |
| Test Circuit Diagrams..... | 20 |
| Test Setups for LVPECL Measurements | 20 |
| Test Setups for FlexSwing Measurements..... | 21 |
| Test Setups for LVDS Measurements | 22 |
| Test Setups for HCSL Measurements..... | 23 |
| Test Setups for Low-Power HCSL Measurements..... | 24 |
| Waveform Diagrams..... | 25 |
| Termination Diagrams | 27 |
| LVPECL and FlexSwing Termination | 27 |
| LVDS, Supply Voltage: 1.8 V ±5%, 2.5 V ±10%, 3.3 V ±10%, 2.25 V to 3.63 V, 1.71 V to 3.63 V | 28 |
| HCSL, Supply Voltage: 1.8 V ±5%, 2.5 V ±10%, 3.3 V ±10%, 2.25 V to 3.63 V, 1.71 V to 3.63 V | 28 |
| Low-power HCSL, Supply Voltage: 1.8 V ±5%, 2.5 V ±10%, 3.3 V ±10%, 2.25 V to 3.63 V, 1.71 V to 3.63 V..... | 28 |
| Dimensions and Patterns — 2.0 x 1.6 mm x mm | 29 |
| Dimensions and Patterns — 2.5 x 2.0 mm x mm | 30 |
| Dimensions and Patterns — 3.2 x 2.5 mm x mm | 31 |
| Additional Information..... | 32 |
| Revision History | 33 |

Electrical Characteristics

All Min and Max limits in the Electrical Characteristics tables are specified over operating temperature and rated operating voltage with standard output termination shown in the termination diagrams. Typical values are at 25°C and nominal supply voltage. See [Test Circuit Diagrams](#) for the test setups used with each signaling type.

Table 3. Electrical Characteristics – Common to All Output Signaling Types

| Parameter | Symbol | Min. | Typ. | Max. | Unit | Condition |
|---|-----------------------|----------------------|------|--------------------|--------|--|
| Frequency Range | | | | | | |
| Output Frequency Range | f | Standard frequencies | | | MHz | Refer to frequencies listed in Ordering Information |
| Frequency Stability | | | | | | |
| Frequency Stability | F_stab | – | – | ±20 | ppm | Inclusive of initial tolerance, operating temperature, rated power supply voltage, load variation of 2 pF ± 10%, and 10 years aging at 85°C |
| | | – | – | ±25 | ppm | |
| | | – | – | ±30 | ppm | |
| | | – | – | ±50 | ppm | |
| 10 Year Aging | F_10y | – | ±0.5 | – | ppm | Ambient temperature of 85°C |
| Temperature Range | | | | | | |
| Operating Temperature Range | T_use | -20 | – | +70 | °C | Extended commercial, ambient temperature |
| | | -40 | – | +85 | °C | Industrial, ambient temperature |
| | | -40 | – | +95 | °C | Ambient temperature |
| | | -40 | – | +105 | °C | Extended industrial, ambient temperature |
| Supply Voltage | | | | | | |
| Supply Voltage | Vdd | 1.71 | – | 3.63 | V | Voltage-supply order code "YY" |
| | | 2.25 | – | 3.63 | V | Voltage-supply order code "XX" |
| | | 1.71 | 1.80 | 1.89 | V | Voltage-supply order code "18". Contact SiTime for 1.5 V |
| | | 2.25 | 2.50 | 2.75 | V | Voltage-supply order code "25" |
| | | 2.97 | 3.30 | 3.63 | V | Voltage-supply order code "33" |
| Input Characteristics | | | | | | |
| Input Voltage High | V _{IH} | 70% | – | – | Vdd | Logic High function for Pin 1 |
| Input Voltage Low | V _{IL} | – | – | 30% | Vdd | Logic High function for Pin 1 |
| Input Pull-up/Pull-down Impedance | Z _{in} | 112.9 | 120 | 133.4 | kΩ | Pin 1 for OE function |
| Output Characteristics | | | | | | |
| Duty Cycle | DC | 48 | – | 52 | % | See Figure 19 for waveform |
| Startup, OE and SE Timing | | | | | | |
| Startup Time | T _{start} | – | 1.2 | 2 | ms | Measured from the time Vdd reaches its rated minimum value |
| Output Enable Time 1 | T _{oe} | – | – | 100+3 clock cycles | ns | For all signaling types except Low-Power HCSL. Measured from the time OE pin toggles to enable logic level to the time clock pins reach 90% of final swing. See Figure 25 for waveform |
| Output Enable Time 2 | T _{oe} | – | – | 500+3 clock cycles | ns | For Low-Power HCSL signaling type. Measured from the time OE pin toggles to enable logic level to the time clock pins reach 90% of final swing. See Figure 25 for waveform |
| Output Disable Time | T _{od} | – | – | 100+3 clock cycles | ns | Measured from the time OE pin toggles to disable logic level to the last clock edge. See Figure 26 for waveform |
| Jitter and Phase Noise, measured at f = 156.25 MHz | | | | | | |
| 4-16A Phase Jitter ^[2] | T _{416A} | – | 45 | 57 ^[4] | fs RMS | Measured with phase noise analyzer, extending (flat) phase noise to 3rd harmonic (i.e., 312.5 MHz offset), folding phase noise below the Nyquist frequency (i.e., 78.125 MHz offset), filtering and integrating from 10 kHz to Nyquist. Uses 4 MHz high pass and 16 MHz low pass filters, each with 20 dB/dec roll off. Includes spurs. See "4-16A" Phase Jitter Methodology for SerDes Applications for additional details. |
| 0.012-20 Phase Jitter (legacy) | T _{phj} | – | 70 | 100 | fs RMS | Measured with phase noise analyzer, integrating between 12 kHz and 20 MHz offset frequency. Recommended for SONET OC-48 applications. Contact SiTime for 85 fs max option. |
| Legacy Spurious Phase Noise | T _{spsn} | – | – | -112 | dBc | 12 kHz to 20 MHz offset frequency range |
| RMS Period Jitter ^[3] | T _{jitt_per} | – | 0.5 | 0.6 | ps | Measured based on 10K cycle |
| Peak Cycle-to-cycle Jitter ^[3] | T _{jitt_cc} | – | 3.5 | 6.2 | ps | Measured based on 1K cycle |

Note:

2. Recommended for SerDes applications to improve the accuracy of clock jitter analysis, replacing the traditional 12 kHz to 20 MHz brick wall filter when application-specific filter characteristics are not explicitly specified.
3. Measured according to JESD65B using Keysight DSAX91604A Oscilloscope.
4. Max phase jitter for LVPECL.

Table 4. Electrical Characteristics – LVPECL | Supply voltage (“order code”): 2.5 V ±10% (“25”), 3.3 V ±10% (“33”), 2.25 V to 3.63 V (“XX”). All typical specifications are measured at nominal supply voltage of 2.5 V and nominal frequency of 156.25 MHz unless otherwise stated. See [Figure 8](#) and [Figure 9](#) for test setups.

| Parameter | Symbol | Min. | Typ. | Max. | Unit | Condition |
|--|------------|-----------|----------|----------|-------|---|
| Current Consumption, f = 156.25 MHz | | | | | | |
| Current Consumption, Output Enabled without Termination | Idd_oe_nt | – | 28.5 | 35.5 | mA | Excluding load termination current |
| Current Consumption, Output Enabled with Termination 1 | Idd_oe_wt1 | – | 39 | 49 | mA | Including load termination current as shown in Figure 30 for Vdd=3.3 V ±10%, Vdd=2.25 V to 3.63 V and R3=220 Ohms |
| | | – | 39 | 45 | mA | Including load termination current as shown in Figure 30 for Vdd=2.5 V ±10% and R3=220 Ohms |
| Current Consumption, Output Enabled with Termination 2 | Idd_oe_wt2 | – | 55 | 61 | mA | Including load termination current. See Figure 31 for termination |
| Current Consumption Output Disabled with Termination 1 | Idd_od_wt1 | – | 46.5 | 58 | mA | Including load termination current as shown in Figure 30 for Vdd=3.3 V ±10%, Vdd=2.25 V to 3.63 V and R3=220 Ohms. Driver output is at logic-high voltage levels. |
| | | – | 46.5 | 53.5 | mA | Including load termination current as shown in Figure 30 for Vdd=2.5 V ±10% and R3=220 Ohms. Driver output is at logic-high voltage levels. |
| Current Consumption, Output Disabled with Termination 2 | Idd_od_wt2 | – | 66 | 73 | mA | Including load termination current. See Figure 31 for termination. Driver output is at logic-high voltage levels. |
| Output Characteristics | | | | | | |
| Output High Voltage | VOH | Vdd-1.075 | Vdd-0.95 | Vdd-0.86 | V | See Figure 18 for waveform |
| Output Low Voltage | VOL | Vdd-1.84 | Vdd-1.7 | Vdd-1.62 | V | See Figure 18 for waveform |
| Output Differential Voltage Swing | V_Swing | 1.4 | 1.5 | 1.65 | V | See Figure 19 for waveform |
| Rise/Fall Time | Tr, Tf | – | 170 | 200 | ps | 20% to 80%. See Figure 19 for waveform |
| Differential Asymmetry, peak-peak | V_da | – | 45 | – | mV | See Figure 21 for waveform |
| Differential Skew, peak | V_ds | – | ±30 | – | ps | See Figure 22 for waveform |
| Overshoot Voltage, peak | V_ov | – | 12 | – | % | Measured as percent of V_Swing. See Figure 23 for waveform |
| Power Supply Noise Immunity | | | | | | |
| Power Supply-Induced Jitter Sensitivity | PSJS | – | 9 | – | fs/mV | Power supply ripple from 10 kHz to 20 MHz |
| | | – | 2.0 | – | fs/mV | Power supply ripple from 10 kHz to 20 MHz. Using RC power supply filter as shown in Figure 8 |
| Power Supply-Induced Phase Noise | PSPN | – | -79 | – | dBc | 50 mV peak-peak ripple on VDD |
| | | – | -92 | – | dBc | 50 mV peak-peak ripple on VDD. Using RC power supply filter as shown in Figure 8 |

Table 5. Electrical Characteristics – FlexSwing | Supply voltage (“order code”) referred to VDD only: 2.5 V \pm 10% (“25”), 3.3 V \pm 10% (“33”), 2.25 V to 3.63 V (“XX”). All typical specifications are measured at nominal frequency of 156.25 MHz unless otherwise stated. See [Figure 10](#) and [Figure 11](#) for test setups.

| Parameter | Symbol | Min. | Typ. | Max. | Unit | Condition |
|--|-----------|-----------|--------------|-----------|-------|---|
| Current Consumption | | | | | | |
| Current Consumption, Output Enabled without Termination | Idd_oe_nt | – | 29.5 | 38 | mA | Excluding load termination current |
| Current Consumption, Output Enabled with Termination | Idd_oe_wt | – | 37 | 47.5 | mA | Including load termination current, for FlexSwing order code “ER”. See Figure 30 for Vdd=3.3 V \pm 10%, Vdd=2.25 V to 3.63 V, and R3=220 Ohms |
| | | – | 37 | 43.5 | mA | Including load termination current, for FlexSwing order code “ER”. See Figure 30 for Vdd=2.5 V \pm 10%, and R3=220 Ohms |
| Current Consumption Output Disabled with Termination | Idd_od_wt | – | 42.5 | 53 | mA | Including load termination current, for FlexSwing order code “ER”. See Figure 30 for Vdd=3.3 V \pm 10%, Vdd=2.25 V to 3.63 V, and R3=220 Ohms. Driver output is at logic-high voltage levels. |
| | | – | 42.5 | 49.5 | mA | Including load termination current, for FlexSwing order code “ER”. See Figure 30 for Vdd=2.5 V \pm 10%, and R3=220 Ohms. Driver output is at logic-high voltage levels. |
| Output Characteristics | | | | | | |
| Output High Voltage | VOH | VHn -0.13 | VHn | VHn +0.1 | V | See Figure 18 for waveform; Refer to Table 17 or Table 18 order codes for nominal VOH (i.e. VHn) values |
| Output Low Voltage | VOL | VLn -0.13 | VLn | VLn +0.12 | V | See Figure 18 for waveform; Refer to Table 17 or Table 18 order codes for nominal VOL (i.e. VLn) values |
| Output Differential Voltage Swing | V_Swing | -15% | 2*(VHn-VLn) | +15% | V | See Figure 19 for waveform |
| Rise/Fall Time | Tr, Tf | – | 170 | 200 | ps | 20% to 80%. See Figure 19 for waveform |
| Differential Asymmetry, peak-peak | V_da | – | 60 | – | mV | See Figure 21 for waveform |
| Differential Skew, peak | V_ds | – | \pm 40 | – | ps | See Figure 22 for waveform |
| Overshoot Voltage, peak | V_ov | – | 12 | – | % | Measured as percent of V_Swing. See Figure 23 for waveform |
| Power Supply Noise Immunity | | | | | | |
| Power Supply-Induced Jitter Sensitivity | PSJS | – | 14 | – | fs/mV | Power supply ripple from 10 kHz to 20 MHz. For FlexSwing order code “ER” |
| | | – | 2 | – | fs/mV | Power supply ripple from 10 kHz to 20 MHz. For FlexSwing order code “ER”. Using RC power supply filter as shown in Figure 10 |
| Power Supply-Induced Phase Noise | PSPN | – | -75 | – | dBc | 50 mV peak-peak ripple on VDD. For FlexSwing order code “ER” |
| | | – | -93 | – | dBc | 50 mV peak-peak ripple on VDD. For FlexSwing order code “ER”. Using R C power supply filter as shown in Figure 10 |

Table 6. Electrical Characteristics – FlexSwing | Supply voltage (“order code”) referred to GND, only: 1.8 V \pm 5% (“18”), 1.71 V to 3.63 V (“YY”). All typical specifications are measured at nominal frequency of 156.25 MHz unless otherwise stated. See [Figure 10](#) and [Figure 11](#) for test setups.

| Parameter | Symbol | Min. | Typ. | Max. | Unit | Condition |
|---|-----------|-----------|--------------|------------|-------|---|
| Current Consumption | | | | | | |
| Current Consumption, Output Enabled without Termination | Idd_oe_nt | – | 31 | 37.5 | mA | Excluding load termination current |
| Current Consumption, Output Enabled with Termination | Idd_oe_wt | – | 38.5 | 44 | mA | Including load termination current, for FlexSwing order code “3E”. See Figure 30 for Vdd=1.8 V \pm 5% and R3=220 Ohms |
| | | – | 38.5 | 45.5 | mA | Including load termination current, for FlexSwing order code “3E”. See Figure 30 for Vdd=1.71 V to 3.63 V and R3=220 Ohms |
| Current Consumption Output Disabled with Termination | Idd_od_wt | – | 44.5 | 50 | mA | Including load termination current, for FlexSwing order code “3E”. See Figure 30 for Vdd=1.8 V \pm 5% and R3=220 Ohms. Driver output is at logic-high voltage levels. |
| | | – | 44.5 | 51.5 | mA | Including load termination current, for FlexSwing order code “3E”. See Figure 30 for Vdd=1.71 V to 3.63 V and R3=220 Ohms. Driver output is at logic-high voltage levels. |
| Output Characteristics | | | | | | |
| Output High Voltage | VOH | VHn - 0.1 | VHn | VHn + 0.12 | V | See Figure 18 for waveform; Refer to Table 17 or Table 18 order codes for nominal VOH (i.e. VHn) values |
| Output Low Voltage | VOL | VLn - 0.1 | VLn | VLn + 0.12 | V | See Figure 18 for waveform; Refer to Table 17 or Table 18 order codes for nominal VOL (i.e. VLn) values |
| Output Differential Voltage Swing | V_Swing | -15% | 2*(VHn-VLn) | +15% | V | See Figure 19 for waveform |
| Rise/Fall Time | Tr, Tf | – | 170 | 210 | ps | 20% to 80%. See Figure 19 for waveform. |
| Differential Asymmetry, peak-peak | V_da | – | 60 | – | mV | See Figure 21 for waveform |
| Differential Skew, peak | V_ds | – | \pm 40 | – | ps | See Figure 22 for waveform |
| Overshoot Voltage, peak | V_ov | – | 12 | – | % | Measured as percent of V_Swing. See Figure 23 for waveform |
| Power Supply Noise Immunity | | | | | | |
| Power Supply-Induced Jitter Sensitivity | PSJS | – | 12 | – | fs/mV | Power supply ripple from 10 kHz to 20 MHz. For FlexSwing order code “3E” |
| | | – | 2 | – | fs/mV | Power supply ripple from 10 kHz to 20 MHz. For FlexSwing order code “3E”. Using RC power supply filter as shown in Figure 10 |
| Power Supply-Induced Phase Noise | PSPN | – | -76 | – | dBc | 50 mV peak-peak ripple on VDD. For FlexSwing order code “3E” |
| | | – | -95 | – | dBc | 50 mV peak-peak ripple on VDD. For FlexSwing order code “3E”. Using RC power supply filter as shown in Figure 10 |

Table 7. Electrical Characteristics – FlexSwing | Supply voltage (“order code”) referred to GND, only: 2.5 V \pm 10% (“25”), 3.3 V \pm 10% (“33”), 2.25 V to 3.63 V (“XX”). All typical specifications are measured at nominal frequency of 156.25 MHz unless otherwise stated. See [Figure 10](#) and [Figure 11](#) for test setups.

| Parameter | Symbol | Min. | Typ. | Max. | Unit | Condition |
|--|-----------|------------|-------------|-----------|-------|---|
| Current Consumption | | | | | | |
| Current Consumption, Output Enabled without Termination | Idd_oe_nt | – | 30 | 36 | mA | Excluding load termination current |
| Current Consumption, Output Enabled with Termination | Idd_oe_wt | – | 37.5 | 44 | mA | Including load termination current, for FlexSwing order code “VP”. See Figure 30 for Vdd=3.3 V \pm 10%, Vdd=2.25 V to 3.63 V, and R3=220 Ohms |
| Current Consumption Output Disabled with Termination | Idd_od_wt | – | 46 | 53 | mA | Including load termination current, for FlexSwing order code “VP”. See Figure 30 for Vdd=3.3 V \pm 10%, Vdd=2.25 V to 3.63 V, and R3=220 Ohms. Driver output is at logic-high voltage levels. |
| Output Characteristics | | | | | | |
| Output High Voltage | VOH | VHn - 0.11 | VHn | VHn + 0.1 | V | See Figure 18 for waveform; Refer to Table 17 or Table 18 order codes for nominal VOH (i.e. VHn) values |
| Output Low Voltage | VOL | VLn - 0.1 | VLn | VLn + 0.1 | V | See Figure 18 for waveform; Refer to Table 17 or Table 18 order codes for nominal VOL (i.e. VLn) values |
| Output Differential Voltage Swing | V_Swing | -15% | 2*(VHn-VLn) | +15% | V | See Figure 19 for waveform |
| Rise/Fall Time | Tr, Tf | – | 170 | 200 | ps | 20% to 80%. See Figure 19 for waveform |
| Differential Asymmetry, peak-peak | V_da | – | 60 | – | mV | See Figure 21 for waveform |
| Differential Skew, peak | V_ds | – | \pm 40 | – | ps | See Figure 22 for waveform |
| Overshoot Voltage, peak | V_ov | – | 12 | – | % | Measured as percent of V_Swing. See Figure 23 for waveform |
| Power Supply Noise Immunity | | | | | | |
| Power Supply-Induced Jitter Sensitivity | PSJS | – | 14 | – | fs/mV | Power supply ripple from 10 kHz to 20 MHz. For FlexSwing order code “VP” |
| | | – | 2 | – | fs/mV | Power supply ripple from 10 kHz to 20 MHz. For FlexSwing order code “VP”. Using RC power supply filter as shown in Figure 10 |
| Power Supply-Induced Phase Noise | PSPN | – | -75 | – | dBc | 50 mV peak-peak ripple on VDD. For FlexSwing order code “VP” |
| | | – | -93 | – | dBc | 50 mV peak-peak ripple on VDD. For FlexSwing order code “VP”. Using RC power supply filter as shown in Figure 10 |

Table 8. Electrical Characteristics – LVDS | Supply voltage (“order code”): 2.5 V \pm 10% (“25”), 3.3 V \pm 10% (“33”), 2.25 V to 3.63 V (“XX”). All typical specifications are measured at nominal supply of 2.5 V and nominal frequency of 156.25 MHz unless otherwise stated. See [Figure 12](#) and [Figure 13](#) for test setups.

| Parameter | Symbol | Min. | Typ. | Max. | Unit | Condition |
|--|--------------|-------|----------|-------|-------|---|
| Current Consumption | | | | | | |
| Current Consumption, Output Enabled without Termination | Idd_oe_nt | – | 25.5 | 32 | mA | Excluding load termination current |
| Current Consumption, Output Enabled with Termination | Idd_oe_wt | – | 29 | 35 | mA | Including load termination current. See Figure 34 for termination |
| Current Consumption Output Disabled with Termination | Idd_od_wt | – | 34.5 | 41 | mA | Including load termination current. See Figure 34 for termination. Driver output is at logic-high voltage levels. |
| Output Characteristics | | | | | | |
| Differential Output Voltage | VOD | 250 | 360 | 450 | mV | See Figure 20 for waveform |
| Delta VOD | Δ VOD | – | – | 50 | mV | See Figure 20 for waveform |
| Offset Voltage | VOS | 1.125 | 1.25 | 1.375 | V | See Figure 20 for waveform |
| Delta VOS | Δ VOS | – | – | 50 | mV | See Figure 20 for waveform |
| Rise/Fall Time | Tr, Tf | – | 290 | 330 | ps | Measured 20% to 80% using Figure 34 for termination. See Figure 19 for waveform |
| Differential Asymmetry, peak-peak | V_da | – | 25 | – | mV | See Figure 21 for waveform |
| Differential Skew, peak | V_ds | – | \pm 40 | – | ps | See Figure 22 for waveform |
| Overshoot Voltage, peak | V_ov | – | 8 | – | % | Measured as percent of VOD. See Figure 24 for waveform |
| Power Supply Noise Immunity | | | | | | |
| Power Supply-Induced Jitter Sensitivity | PSJS | – | 18 | – | fs/mV | Power supply ripple from 10 kHz to 20 MHz |
| | PSJS | – | 3.5 | – | fs/mV | Power supply ripple from 10 kHz to 20 MHz. Using RC power supply filter as shown in Figure 12 |
| Power Supply-Induced Phase Noise | PSPN | – | -73 | – | dBc | 50 mV peak-peak ripple on VDD |
| | PSPN | – | -88 | – | dBc | 50 mV peak-peak ripple on VDD. Using RC power supply filter as shown in Figure 12 |

Table 9. Electrical Characteristics – LVDS | Supply voltage (“order code”): 1.8 V \pm 5% (“18”), 1.71 V to 3.63 V (“YY”). All typical specifications are measured at nominal supply of 2.5V and nominal frequency of 156.25 MHz unless otherwise stated. See [Figure 12](#) and [Figure 13](#) for test setups.

| Parameter | Symbol | Min. | Typ. | Max. | Unit | Condition |
|---|--------------|-------|----------|-------|-------|---|
| Current Consumption | | | | | | |
| Current Consumption, Output Enabled without Termination | Idd_oe_nt | – | 25.5 | 32 | mA | Excluding load termination current |
| Current Consumption, Output Enabled with Termination | Idd_oe_wt | – | 29 | 35 | mA | Including load termination current. See Figure 33 and Figure 34 for termination |
| Current Consumption Output Disabled with Termination | Idd_od_wt | – | 34.5 | 41 | mA | Including load termination current. See Figure 33 and Figure 34 for termination. Driver output is at logic-high voltage levels. |
| Output Characteristics | | | | | | |
| Differential Output Voltage | VOD | 250 | 330 | 450 | mV | See Figure 20 for waveform |
| Delta VOD | Δ VOD | – | – | 50 | mV | See Figure 20 for waveform |
| Offset Voltage | VOS | 1.125 | 1.25 | 1.375 | V | See Figure 20 for waveform |
| Delta VOS | Δ VOS | – | – | 50 | mV | See Figure 20 for waveform |
| Rise/Fall Time | Tr, Tf | – | 290 | 330 | ps | Measured 20% to 80% using Figure 34 for termination. See Figure 19 for waveform |
| Differential Asymmetry, peak-peak | V_da | – | 25 | – | mV | See Figure 21 for waveform |
| Differential Skew, peak | V_ds | – | \pm 40 | – | ps | See Figure 22 for waveform |
| Overshoot Voltage, peak | V_ov | – | 8 | – | % | Measured as percent of VOD. See Figure 24 for waveform |
| Power Supply Noise Immunity | | | | | | |
| Power Supply-Induced Jitter Sensitivity | PSJS | – | 22.5 | – | fs/mV | Power supply ripple from 10 kHz to 20 MHz |
| | | – | 3.5 | – | fs/mV | Power supply ripple from 10 kHz to 20 MHz. Using RC power supply filter as shown in Figure 12 |
| Power Supply-Induced Phase Noise | PSPN | – | -71 | – | dBc | 50 mV peak-peak ripple on VDD |
| | | – | -88 | – | dBc | 50 mV peak-peak ripple on VDD. Using RC power supply filter as shown in Figure 12 |

Table 10. Electrical Characteristics – HCSL | Supply voltage (“order code”): 2.5 V \pm 10% (“25”), 3.3 V \pm 10% (“33”), 2.25 V to 3.63 V (“XX”), 1.8 V \pm 5% (“18”), 1.71 V to 3.63 V (“YY”). All typical specifications are measured at nominal supply of 2.5V and nominal frequency of 156.25 MHz unless otherwise stated. See [Figure 14](#) and [Figure 15](#) for test setups.

| Parameter | Symbol | Min. | Typ. | Max. | Unit | Condition |
|---|-----------|------|----------|------|-------|---|
| Current Consumption | | | | | | |
| Current Consumption, Output Enabled without Termination | Idd_oe_nt | – | 25 | 31 | mA | Excluding load termination current |
| Current Consumption, Output Enabled with Termination | Idd_oe_wt | – | 39.5 | 45 | mA | Including load termination current. See Figure 35 for termination |
| Current Consumption, Output Disabled with Termination | Idd_od_wt | – | 45 | 52 | mA | Including load termination current. See Figure 35 for termination. Driver output is at logic-high voltage levels. |
| Output Characteristics | | | | | | |
| Output High Voltage | VOH | 0.60 | 0.7 | 0.95 | V | See Figure 18 for waveform |
| Output Low Voltage | VOL | -0.1 | 0 | 0.1 | V | See Figure 18 for waveform |
| Output Differential Voltage Swing | V_Swing | 1.1 | 1.4 | 1.6 | V | See Figure 19 for waveform |
| Rise/Fall Time | Tr, Tf | – | 340 | 370 | ps | Measured 20% to 80%. See Figure 19 for waveform |
| Differential Asymmetry, peak-peak | V_da | – | 65 | – | mV | See Figure 21 for waveform |
| Differential Skew, peak | V_ds | – | \pm 70 | – | ps | See Figure 22 for waveform |
| Overshoot Voltage, peak | V_ov | – | 0 | – | % | Measured as percent of V_Swing. See Figure 23 for waveform |
| Power Supply Noise Immunity | | | | | | |
| Power Supply-Induced Jitter Sensitivity | PSJS | – | 27 | – | fs/mV | Power supply ripple from 10 kHz to 20 MHz |
| | | – | 3.5 | – | fs/mV | Power supply ripple from 10 kHz to 20 MHz. Using RC power supply filter as shown in Figure 14 |
| Power Supply-Induced Phase Noise | PSPN | – | -70 | – | dBc | 50 mV peak-peak ripple on VDD |
| | | – | -88 | – | dBc | 50 mV peak-peak ripple on VDD. Using RC power supply filter as shown in Figure 14 |

Table 11. Electrical Characteristics – Low-Power HCSL | Supply voltage (“order code”): 2.5 V \pm 10% (“25”), 3.3 V \pm 10% (“33”), 2.25 V to 3.63 V (“XX”), 1.8 V \pm 5% (“18”), 1.71 V to 3.63 V (“YY”). All typical specifications are measured at nominal supply of 2.5V and nominal frequency of 156.25 MHz unless otherwise stated. See [Figure 16](#) and [Figure 17](#) for test setups.

| Parameter | Symbol | Min. | Typ. | Max. | Unit | Condition |
|---|-----------|------|----------|------|-------|---|
| Current Consumption | | | | | | |
| Current Consumption, Output Enabled without Termination | Idd_oe_nt | – | 26 | 31.5 | mA | Excluding load termination current |
| Current Consumption, Output Enabled with Termination | Idd_oe_wt | – | 26.5 | 32 | mA | Including load termination current. See Figure 36 for termination |
| Current Consumption, Output Disabled with Termination | Idd_od_wt | – | 28.5 | 35 | mA | Including load termination current. See Figure 36 for termination. Driver output is at logic-high voltage levels. |
| Output Characteristics | | | | | | |
| Output High Voltage | VOH | 0.8 | 0.92 | 1.15 | V | See Figure 18 for waveform |
| Output Low Voltage | VOL | -0.1 | 0 | 0.1 | V | See Figure 18 for waveform |
| Output Differential Voltage Swing | V_Swing | 1.6 | 1.83 | 2.0 | V | See Figure 19 for waveform |
| Rise/Fall Time | Tr, Tf | – | 330 | 380 | ps | Measured 20% to 80%. See Figure 19 for waveform |
| Differential Asymmetry, peak-peak | V_da | – | 55 | – | mV | See Figure 21 for waveform |
| Differential Skew, peak | V_ds | – | \pm 30 | – | ps | See Figure 22 for waveform |
| Overshoot Voltage, peak | V_ov | – | 1 | – | % | Measured as percent of V_Swing. See Figure 23 for waveform |
| Power Supply Noise Immunity | | | | | | |
| Power Supply-Induced Jitter Sensitivity | PSJS | – | 18 | – | fs/mV | Power supply ripple from 10 kHz to 20 MHz |
| | | – | 6.5 | – | fs/mV | Power supply ripple from 10 kHz to 20 MHz. Using RC power supply filter as shown in Figure 16 |
| Power Supply-Induced Phase Noise | PSPN | – | -73 | – | dBc | 50 mV peak-peak ripple on VDD |
| | | – | -82 | – | dBc | 50 mV peak-peak ripple on VDD. Using RC power supply filter as shown in Figure 16 |

Table 12. Absolute Maximum Ratings

Operation outside the absolute maximum ratings may cause permanent damage to the part.
Performance of the IC is only guaranteed within the operational specifications, not at absolute maximum ratings.

| Parameter | Test Conditions | Min. | Max. | Unit |
|---|-----------------|------|-----------|------|
| Continuous Power Supply Voltage Range (Vdd) | | -0.5 | 4.0 | V |
| Input Voltage, Maximum | Any input pin | – | Vdd + 0.3 | V |
| Input Voltage, Minimum | Any input pin | -0.3 | – | V |
| Storage Temperature | | -65 | 150 | °C |
| Maximum Junction Temperature | | – | 135 | °C |

Table 13. Thermal Considerations^[5]

| Package | θ_{JA} (°C/W) | Ψ_{JT} (°C/W) | θ_{JB} (°C/W) | $\theta_{JC,Top}$ (°C/W) |
|-------------|----------------------|--------------------|----------------------|--------------------------|
| 3225, 6-pin | 111 | 5.1 | 34 | 86 |
| 2520, 6-pin | 126 | 4.8 | 39 | 118 |
| 2016 6-pin | 149 | 3.9 | 40 | 163 |

Notes:

5. θ_{JA} , Ψ_{JT} , θ_{JB} and θ_{JC} are provided according to JEDEC standards 51-2A, 51-7, 51-8, and 51-12.01 with a 25°C ambient and 250 mW power consumption (typical of 1 GHz f_{out}). The conduction thermal resistances θ_{JB} and θ_{JC} are obtained with the assumption that all heat flows from the junction to a heat sink through either the solder pads (θ_{JB}) or the top of the package ($\theta_{JC,Top}$). These may be used in a two-resistor compact model. The values of θ_{JA} and Ψ_{JT} are strongly application dependent, and we report values based on the JEDEC thermal environment. θ_{JA} is the thermal resistance to ambient on a JEDEC PCB - it is a highly conservative estimate, since the JEDEC board does not have vias to PCB planes in the vicinity of the package. Ψ_{JT} can be used to estimate the junction temperature from measurements of the temperature at the top of the package if the thermal environment is similar to the JEDEC environment.

Table 14. Maximum Operating Junction Temperature^[6]

| Max Operating Temperature (ambient) | Maximum Operating Junction Temperature |
|-------------------------------------|--|
| 70°C | 80°C |
| 85°C | 95°C |
| 95°C | 105°C |
| 105°C | 115°C |

Notes:

6. Datasheet specifications are not guaranteed if junction temperature exceeds the maximum operating junction temperature.

Table 15. Environmental Compliance

| Parameter | Test Conditions | Value | Unit |
|---|---------------------------|--------|------|
| Mechanical Shock Resistance | MIL-STD-883F, Method 2002 | 10,000 | g |
| Mechanical Vibration Resistance | MIL-STD-883F, Method 2007 | 70 | g |
| Soldering Temperature (follow standard Pb free soldering guidelines) ^[7] | MIL-STD-883F, Method 2003 | 260 | °C |
| Moisture Sensitivity Level | MSL1 @ 260°C | | |
| Electrostatic Discharge (HBM) | HBM, JESD22-A114 | 2,000 | V |
| Charge-Device Model ESD Protection | JESD220C101 | 750 | V |
| Latch-up Tolerance | JESD78 Compliant | | |

Notes:

7. Please refer to [SiTime Manufacturing Notes](#).

Pin Description

Table 16. Pin Description

| Pin | Map | Functionality | |
|-----|-------|--------------------|--|
| 1 | OE/NF | Output Enable (OE) | H ^[8] : Specified frequency output L ^[9] : OUT: Logic HIGH, |
| | | No Function (NF) | Open, 120 kΩ internal pull-down resistor to GND |
| 2 | NF | No Function | H or L or Open: No effect on output frequency or other device functions. ^[10] |
| 3 | GND | Power | Power Supply Ground |
| 4 | OUTP | Output | Oscillator output |
| 5 | OUTN | Output | Complementary oscillator output |
| 6 | VDD | Power | Power supply voltage ^[8] |

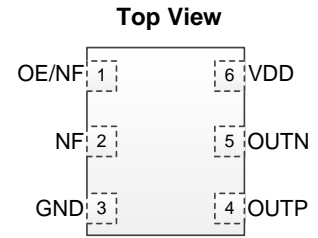


Figure 4. Pin Assignments

Notes:

- 8. OE pin includes a 120 kΩ internal pull-up resistor to VDD when active high, and a 120 kΩ internal pull-down resistor to GND when active low. In noisy environments, the OE pin is recommended to include an external 10 kΩ resistor (Use 10 kΩ pull-up if active high OE; use 10 kΩ pull-down if active low OE) when the pin is not externally driven.
- 9. Differential Logic high means OUTP=VOH, OUTN=VOL
- 10. Can be left open. SiTime recommends grounding it for better thermal performance.
- 11. A capacitor of value 0.1 μF or higher between VDD and GND pins is required.

“4-16A” Phase Jitter Methodology for SerDes Applications

Proper evaluation of reference clock (refclk) jitter is critical to optimize system performance in high-speed serial links.

Figure 5 shows how the traditional 12 kHz to 20 MHz analysis of filtering refclk jitter can mislead designers to

select components that degrade rather than improve link performance. Using a more accurate filter analysis predicts a 50% reduction (45 vs 94 fs RMS) in jitter. Therefore, this datasheet replaces the legacy 12 kHz to 20 MHz filter analysis with a more accurate and established methodology adopted by several industry standards (e.g. PCI Express, CXL, UCIe) and implemented here as “4-16A” phase jitter. A brief overview follows.

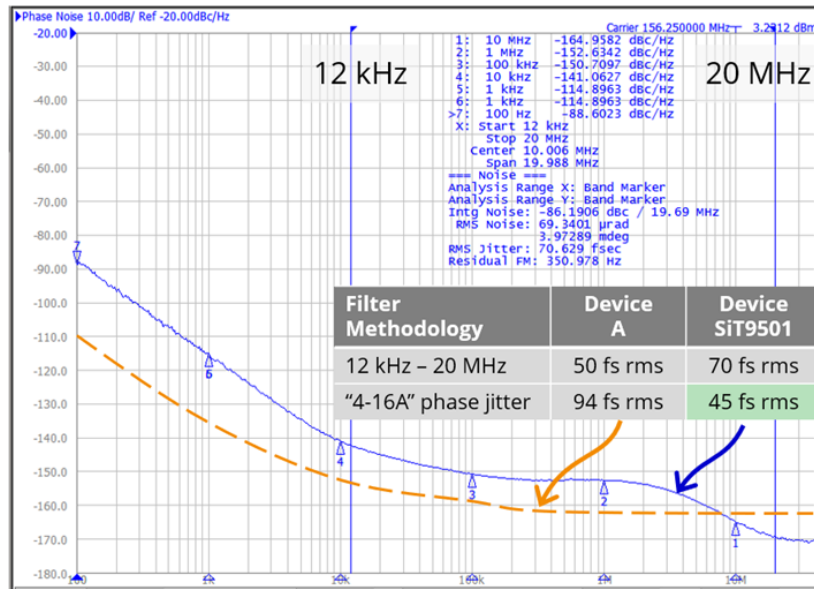


Figure 5. Two products analyzed with 2 different methodologies lead to opposite conclusions. The “4-16A” phase jitter methodology more accurately predicts in-system performance for modern SerDes applications.

Established in 1991 for SONET OC-48 line rates, the traditional 12 kHz to 20 MHz jitter filter served as a golden reference to evaluate refclk jitter for over 30 years. The filter is used in nearly all clock and timing datasheets today. However, the results it provides no longer correlate with system performance and can create suboptimum link performance. Sources of filter error include incorrect corner frequencies, unrealistic brick-wall roll offs and a lack of accounting for aliased phase noise. Errors of tens of femtoseconds are significant today and will become more significant as data rates increase. For these reasons, we recommend customers adopt the more accurate “4-16A” phase jitter methodology for SerDes applications.

The conventional refclk jitter analysis uses a band-pass filter, as shown in Figure 6, to extract the refclk contribution to jitter observed at the receiver. Historically the refclk jitter filter was arbitrarily applied to phase noise up to an offset equal to the refclk Nyquist frequency. However, this ignores higher-offset phase noise that aliases when the refclk is sampled by a PLL’s digital phase detector. Studies have shown that extending the measured phase noise data flat to the third harmonic (or, twice the fundamental frequency in the offset-frequency axis) accurately estimates worst-case phase jitter^[12]. Above the third harmonic, phase noise rolls off quickly and can be ignored.

Note:

12. “How to evaluate reference-clock phase noise in high-speed serial links”, Signal Integrity Journal (May 3, 2019).

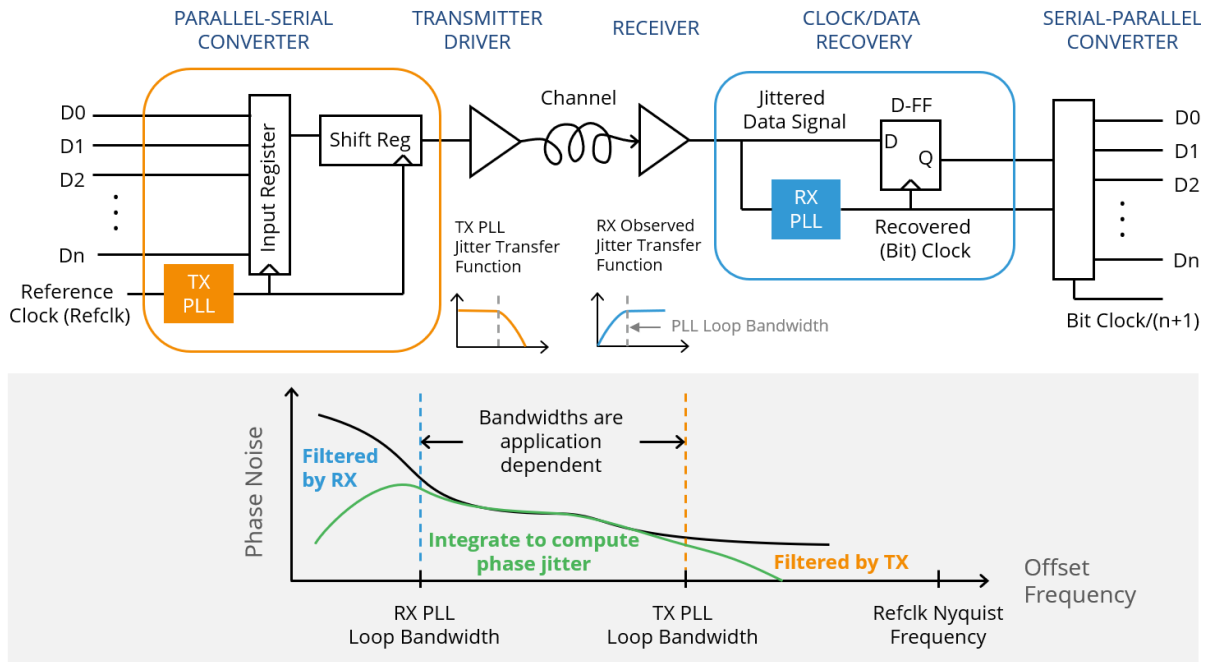


Figure 6. A generic serial link (top) uses a transmit PLL and receive CDR to low and high pass filter, respectively, refclk phase noise. This forms a band-pass system filter (bottom) for computing phase jitter.

The left **Figure 7** chart illustrates this methodology of filtering aliased phase noise for a 156.25 MHz clock. Direct phase noise analyzer instruments (e.g., E5052B or FSWP) include an anti-aliasing filter. Thus, to account for aliasing, the phase noise is extended flat to the 3rd harmonic (468.75 MHz in the signal spectrum, or 312.5 MHz in offset frequency spectrum) and the jitter filter is folded across

Nyquist-zone boundaries (at 156.25/2, 156.25 and 156.25×3/2 MHz). Then the phase noise data is filtered and integrated to derive phase jitter. The right chart in **Figure 7** illustrates a mathematically equivalent process that aliases the extended phase noise below an offset equal to the Nyquist frequency before filtering in the first Nyquist zone^[12].

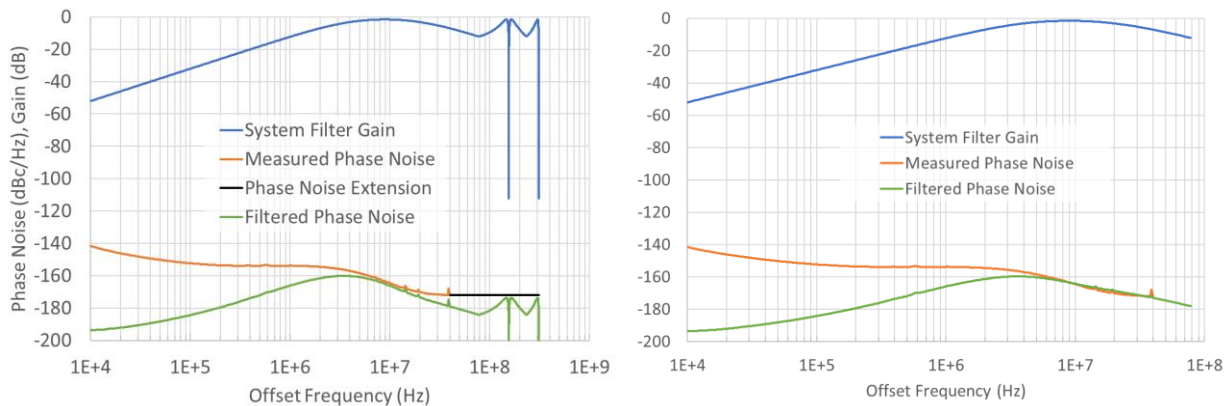


Figure 7. Illustration of two equivalent processes to filter aliased phase noise. The left chart extends (black) the measured phase noise (orange) to the 3rd harmonic, mirrors the filter (blue) across higher Nyquist zones before deriving the filtered phase noise (green). Alternatively, the right chart aliases the extended phase noise (not shown) below the Nyquist frequency before filtering (green). Integrating either green curve produces the same phase jitter.

A shorthand label for this methodology is “#-#A” phase jitter where the first and second numbers “#” are replaced with RX CDR and TX PLL bandwidths, respectively, and assuming 20 dB/dec roll offs (unless specified otherwise), and “A” indicates that aliasing is included. For example, “4-16A” phase jitter uses 4 MHz RX and 16 MHz TX bandwidths with aliasing. Here, 4 MHz represents the most common serial standard, Ethernet, which typically specifies a CDR bandwidth of 4 MHz for 10 Gbps and higher link

rates, and 16 MHz represents a worst-case estimate for TX PLL bandwidth (the PLL becomes unstable at higher bandwidths). This shorthand terminology makes it easy to describe variations. For example, “2-10A” phase jitter describes the same methodology but for 2 MHz RX CDR and 10 MHz TX PLL bandwidths. In practice, the exact bandwidths are application dependent, and “4-16A” is simply chosen here to represent the most common application (Ethernet).

FlexSwing Configurations

A FlexSwing output-driver performs like LVPECL and additionally provides independent control of voltage swing and DC offset voltage levels. This simplifies interfacing with chipsets having non-standard input voltage requirements

and can eliminate all external source-bias resistors. FlexSwing supports power supply voltages from 1.71 V to 3.63 V, and the programmable VOH and VOL levels may be referenced to the voltage on either VDD or GND pins.

Table 17. FlexSwing 2-digit Order Codes specifying VHn and VLn referenced to voltage on VDD pin

| Order Code V_Swing (V) | | VLn | | | | | | | | | | | | | | | | | | | | | |
|---------------------------|---|------|------|------|------|------|------|------|------|------|------|------|------|------|------|------|------|------|------|------|------|------|------|
| | | A | B | C | D | E | F | G | H | J | K | L | M | N | P | Q | R | S | T | U | V | W | X |
| VHn | A | | | | | | | | | AJ | AK | AL | AM | AN | AP | AQ | AR | AS | AT | AU | AV | AW | AX |
| | B | | | | | | | | 1.94 | BJ | BK | BL | BM | BN | BP | BQ | BR | BS | BT | BU | BV | BW | BX |
| | C | | | | | | | 1.94 | 1.86 | CJ | CK | CL | CM | CN | CP | CQ | CR | CS | CT | CU | CV | CW | CX |
| | D | | | | | | 1.94 | 1.86 | 1.77 | DJ | DK | DL | DM | DN | DP | DQ | DR | DS | DT | DU | DV | DW | DX |
| | E | | | | | 1.94 | 1.86 | 1.77 | 1.69 | EJ | EK | EL | EM | EN | EP | EQ | ER | ES | ET | EU | EV | EW | EX |
| | F | | | | 1.94 | 1.86 | 1.77 | 1.69 | 1.61 | FJ | FK | FL | FM | FN | FP | FQ | FR | FS | FT | FU | FV | FW | |
| | G | | | 1.94 | 1.86 | 1.77 | 1.69 | 1.61 | 1.52 | 1.44 | 1.35 | 1.27 | 1.18 | 1.10 | 1.01 | 0.93 | 0.85 | 0.76 | 0.68 | 0.59 | 0.51 | 0.42 | |
| | H | | 1.94 | 1.86 | 1.77 | 1.69 | 1.61 | 1.52 | 1.44 | 1.35 | 1.27 | 1.18 | 1.10 | 1.01 | 0.93 | 0.85 | 0.76 | 0.68 | 0.59 | 0.51 | 0.42 | 0.34 | 0.25 |
| | J | 1.94 | 1.86 | 1.77 | 1.69 | 1.61 | 1.52 | 1.44 | 1.35 | 1.27 | 1.18 | 1.10 | 1.01 | 0.93 | 0.85 | 0.76 | 0.68 | 0.59 | 0.51 | 0.42 | 0.34 | 0.25 | |
| | K | 1.86 | 1.77 | 1.69 | 1.61 | 1.52 | 1.44 | 1.35 | 1.27 | 1.18 | 1.10 | 1.01 | 0.93 | 0.85 | 0.76 | 0.68 | 0.59 | 0.51 | 0.42 | 0.34 | 0.25 | | |
| | L | 1.77 | 1.69 | 1.61 | 1.52 | 1.44 | 1.35 | 1.27 | 1.18 | 1.10 | 1.01 | 0.93 | 0.85 | 0.76 | 0.68 | 0.59 | 0.51 | 0.42 | 0.34 | 0.25 | | | |
| | M | 1.69 | 1.61 | 1.52 | 1.44 | 1.35 | 1.27 | 1.18 | 1.10 | 1.01 | 0.93 | 0.85 | 0.76 | 0.68 | 0.59 | 0.51 | 0.42 | 0.34 | 0.25 | | | | |
| | N | 1.61 | 1.52 | 1.44 | 1.35 | 1.27 | 1.18 | 1.10 | 1.01 | 0.93 | 0.85 | 0.76 | 0.68 | 0.59 | 0.51 | 0.42 | 0.34 | 0.25 | | | | | |
| | P | 1.52 | 1.44 | 1.35 | 1.27 | 1.18 | 1.10 | 1.01 | 0.93 | 0.85 | 0.76 | 0.68 | 0.59 | 0.51 | 0.42 | 0.34 | 0.25 | | | | | | |
| | Q | 1.44 | 1.35 | 1.27 | 1.18 | 1.10 | 1.01 | 0.93 | 0.85 | 0.76 | 0.68 | 0.59 | 0.51 | 0.42 | 0.34 | 0.25 | | | | | | | |
| | R | 1.35 | 1.27 | 1.18 | 1.10 | 1.01 | 0.93 | 0.85 | 0.76 | 0.68 | 0.59 | 0.51 | 0.42 | 0.34 | 0.25 | | | | | | | | |
| | S | 1.27 | 1.18 | 1.10 | 1.01 | 0.93 | 0.85 | 0.76 | 0.68 | 0.59 | 0.51 | 0.42 | 0.34 | 0.25 | | | | | | | | | |
| | T | 1.18 | 1.10 | 1.01 | 0.93 | 0.85 | 0.76 | 0.68 | 0.59 | 0.51 | 0.42 | 0.34 | 0.25 | | | | | | | | | | |
| | U | 1.10 | 1.01 | 0.93 | 0.85 | 0.76 | 0.68 | 0.59 | 0.51 | 0.42 | 0.34 | 0.25 | | | | | | | | | | | |
| | V | 1.01 | 0.93 | 0.85 | 0.76 | 0.68 | 0.59 | 0.51 | 0.42 | 0.34 | 0.25 | | | | | | | | | | | | |
| | W | 0.93 | 0.85 | 0.76 | 0.68 | 0.59 | 0.51 | 0.42 | 0.34 | 0.25 | | | | | | | | | | | | | |

| Supply Voltage | Available Colors |
|----------------|------------------|
| 1.8V±5% | Not Supported |
| 1.71V to 3.63V | Not Supported |
| 2.5V±10% | Blue |
| 3.3V±10% | Blue, Red |
| 2.25V to 3.63V | Blue |
| Note 13 | Gray |

Note:

- 13. Please [contact SiTime](#).
- 14. Table based on Y-Bias Termination with R3 = 220. See [Figure 30](#). Using different R3 value changes the VHn and VLn value.

The above table identifies supported combinations of nominal VOH (i.e. VHn) and nominal VOL (i.e. VLn) in colored boxes. The two-character code in each box corresponds to the VHn and VLn codes specified in the 2nd column and 2nd row in the table, respectively. The number in each box indicates the nominal differential swing (i.e. 2x VHn – VLn).

For example, order code “FS” selects VHn code “F” (i.e. Vdd-1.095 V) and VLn code “S” (i.e. Vdd-1.520 V) corresponding to a V_Swing of 0.85 V peak-peak, which may be used for supply voltages of 2.5 V ±10%, 3.3 V ±10% or (2.25 V to 3.63 V). Alternatively, an order code of “GS” corresponds to a VHn code “G” (i.e. Vdd-1.14 V) and a VLn order code “S” (e.g. Vdd-1.520 V) corresponding to a V_Swing of 0.760 V peak-peak, which may be used for a supply voltage of 3.3 V ±10%.

Table 18. FlexSwing 2-digit Order Codes specifying VHn and VLn referenced to voltage on GND pin

| Order Code V_Swing (V) | | C | D | E | F | G | H | J | K | L | M | N | P | Q | R | S | T | U | V | W | X | Y | |
|---------------------------|---|-------|-------|-------|-------|-------|-------|-------|-------|-------|-------|-------|-------|-------|-------|-------|-------|------|-------|-------|-------|------|------|
| | | 0.45V | 0.49V | 0.54V | 0.59V | 0.64V | 0.69V | 0.74V | 0.79V | 0.84V | 0.89V | 0.94V | 0.99V | 1.03V | 1.08V | 1.16V | 1.23V | 1.3V | 1.38V | 1.45V | 1.53V | 1.6V | |
| VHn | A | | | | | | | | | | | | | | | | | | AV | AW | AX | AY | |
| | B | | | | | | | | | | | | | | | | | | | 1.94 | 1.86 | 1.69 | 1.61 |
| | C | | | | | | | | | | | | | | | | | | | CU | CV | CW | CX |
| | D | | | | | | | | | | | | | | | | | | | 1.94 | 1.77 | 1.69 | 1.52 |
| | E | | | | | | | | | | | | | | | | | | | DT | DU | DV | DW |
| | F | | | | | | | | | | | | | | | | | | | 1.94 | 1.86 | 1.69 | 1.61 |
| | G | | | | | | | | | | | | | | | | | | | ET | EU | EV | EW |
| | H | | | | | | | | | | | | | | | | | | | 1.86 | 1.77 | 1.61 | 1.52 |
| | J | | | | | | | | | | | | | | | | | | | FS | FT | FU | FV |
| | K | | | | | | | | | | | | | | | | | | | 1.94 | 1.77 | 1.69 | 1.52 |
| | L | | | | | | | | | | | | | | | | | | | GS | GT | GU | GV |
| | M | | | | | | | | | | | | | | | | | | | 1.94 | 1.86 | 1.61 | 1.44 |
| | N | | | | | | | | | | | | | | | | | | | HS | HT | HU | HW |
| | P | | | | | | | | | | | | | | | | | | | 1.77 | 1.61 | 1.52 | 1.35 |
| | Q | | | | | | | | | | | | | | | | | | | JS | JT | JU | JV |
| | R | | | | | | | | | | | | | | | | | | | 1.94 | 1.86 | 1.77 | 1.69 |
| | S | | | | | | | | | | | | | | | | | | | KS | KT | KU | KV |
| | T | | | | | | | | | | | | | | | | | | | 1.94 | 1.86 | 1.77 | 1.69 |
| | U | | | | | | | | | | | | | | | | | | | LS | LT | LU | LV |
| | V | | | | | | | | | | | | | | | | | | | 1.52 | 1.44 | 1.27 | 1.18 |
| | W | | | | | | | | | | | | | | | | | | | MR | MS | MT | MU |
| | X | | | | | | | | | | | | | | | | | | | 1.94 | 1.86 | 1.77 | 1.69 |
| | Y | | | | | | | | | | | | | | | | | | | NQ | NR | NS | NT |
| | Z | | | | | | | | | | | | | | | | | | | 1.94 | 1.86 | 1.77 | 1.69 |
| | 1 | | | | | | | | | | | | | | | | | | | PP | PQ | PR | PS |
| | 2 | | | | | | | | | | | | | | | | | | | 1.94 | 1.86 | 1.77 | 1.69 |
| 3 | | | | | | | | | | | | | | | | | | | 1.94 | 1.86 | 1.77 | 1.69 | |

Note: 15. Please contact SiTime.

Test Circuit Diagrams

A 1.5 pF capacitive load is used at each differential output. Because of the additive input capacitance of the active probe used with the oscilloscope, the output characteristics for all signal types are measured with a total of 2 pF capacitive load.

Test Setups for LVPECL Measurements

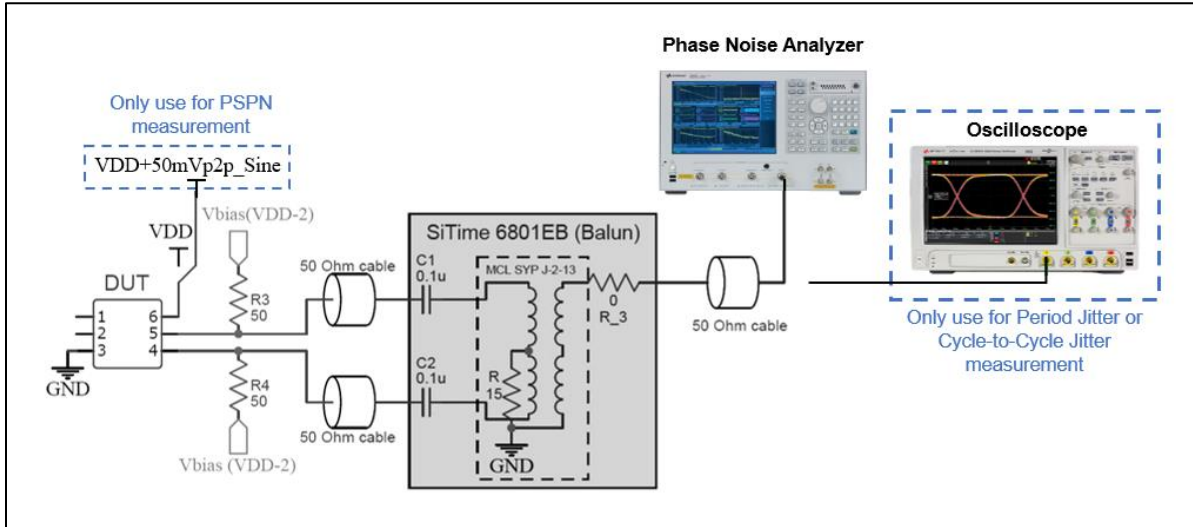


Figure 8. Test setup to measure LVPECL Phase Noise, Period Jitter, Cycle-to-Cycle Jitter, and Power Supply-Induced Phase Noise (PSPN) without filter added^[16]

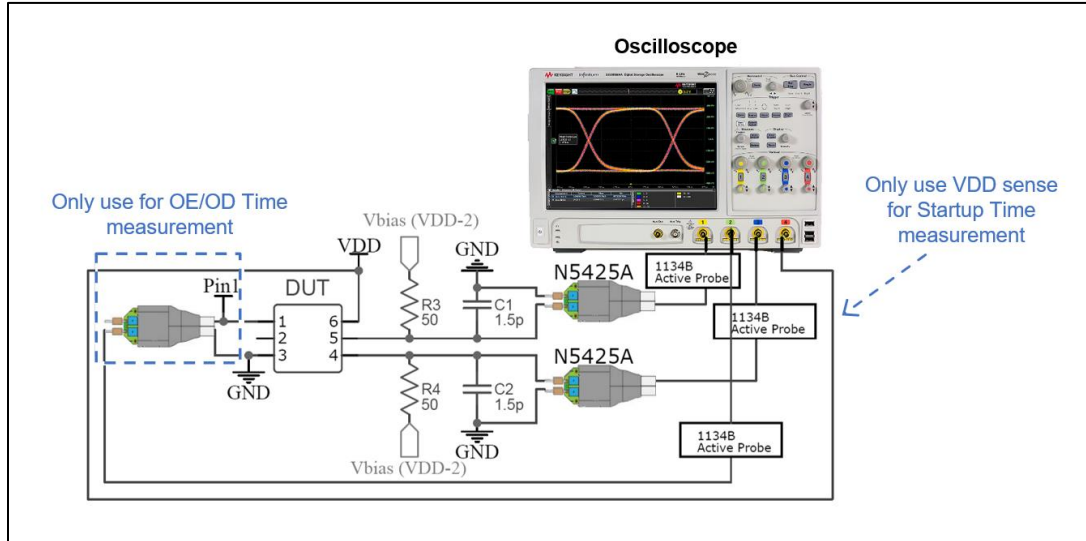


Figure 9. Test setup to measure LVPECL Waveform Characteristics, Current Consumption (with Termination 2)^[17], Output Enable/Disable Time, and Startup Time

Notes:

- 16. See Figure 10 for the test setup to measure LVPECL Power Supply-Induced Phase Noise (PSPN) with filter added.
- 17. See Figure 11 for the test setup to measure LVPECL Current Consumption with Termination 1 or without Termination.

Test Circuit Diagrams (continued)

Test Setups for FlexSwing Measurements^[18]

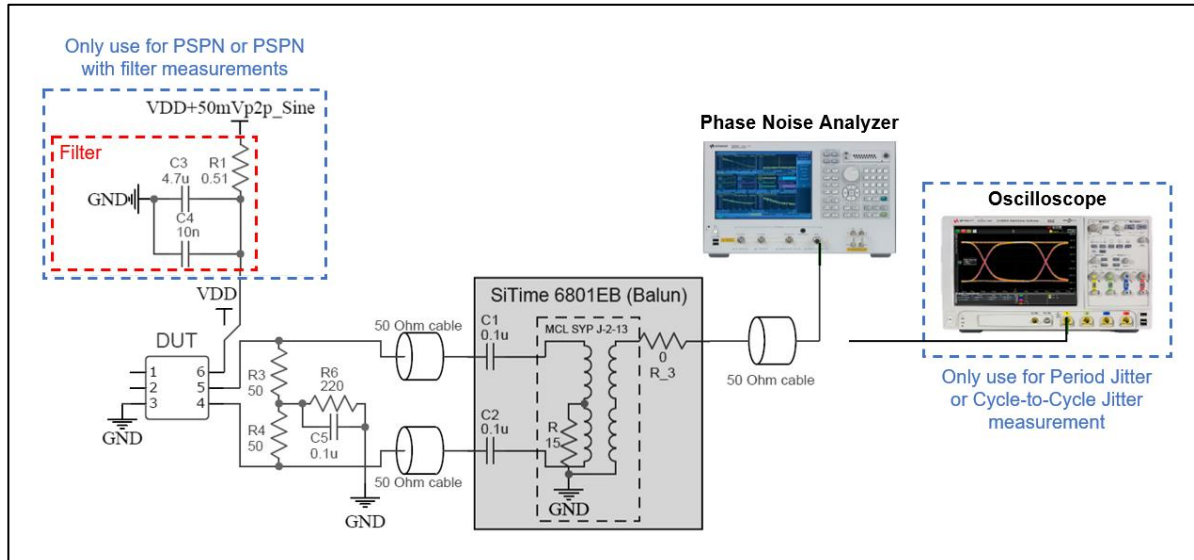


Figure 10. Test setup to measure FlexSwing Phase Noise, Period Jitter, Cycle-to-Cycle Jitter, and Power Supply-Induced Phase Noise (PSPN) with and without filter added^[19]

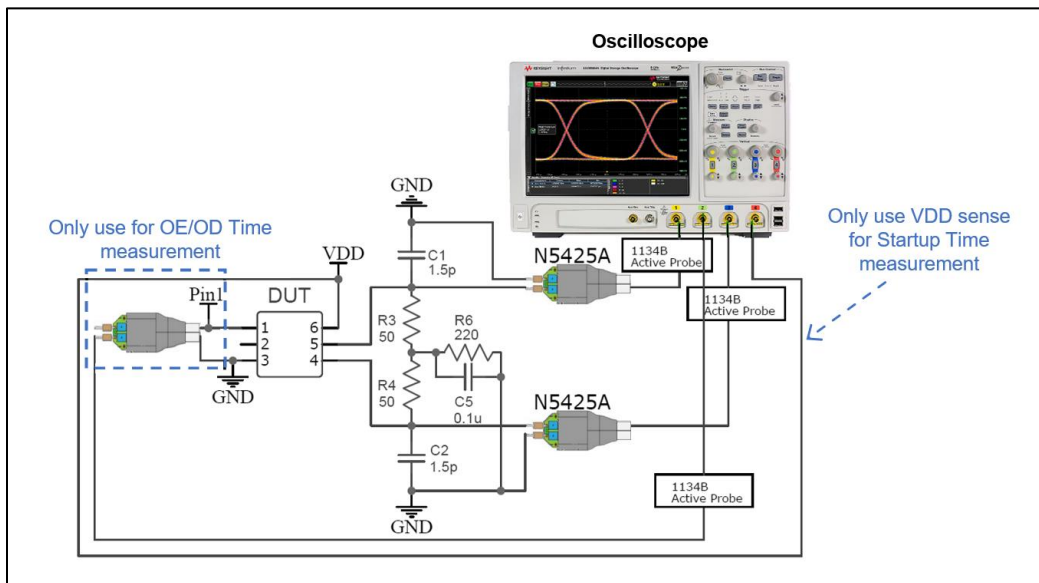


Figure 11. Test setup to measure FlexSwing Waveform Characteristics, Current Consumption^[20], Output Enable/Disable Time, and Startup Time

Note:

- 18. The same test circuits are used for FlexSwing referenced to VDD and FlexSwing referenced to GND.
- 19. Test setup is also used to measure LVPECL Power Supply-Induced Phase Noise (PSPN) with filter added.
- 20. Test setup is also used to measure LVPECL Current Consumption with Termination 1 or without Termination.

Test Circuit Diagrams (continued)

Test Setups for LVDS Measurements

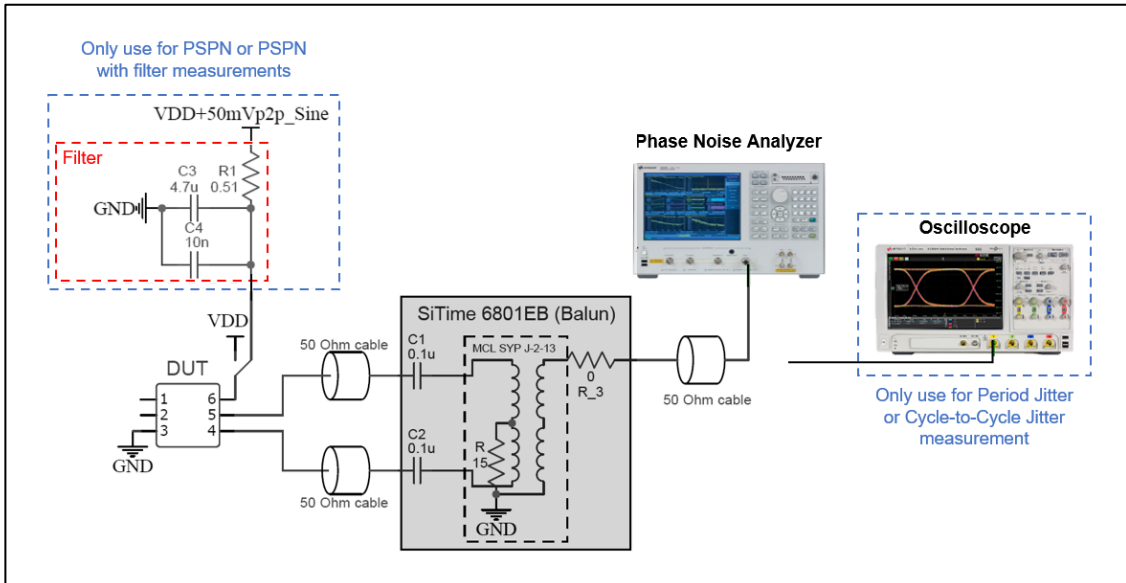


Figure 12. Test setup to measure LVDS Phase Noise, Period Jitter, Cycle-to-Cycle Jitter, and Power Supply-Induced Phase Noise (PSPN) with and without filter added

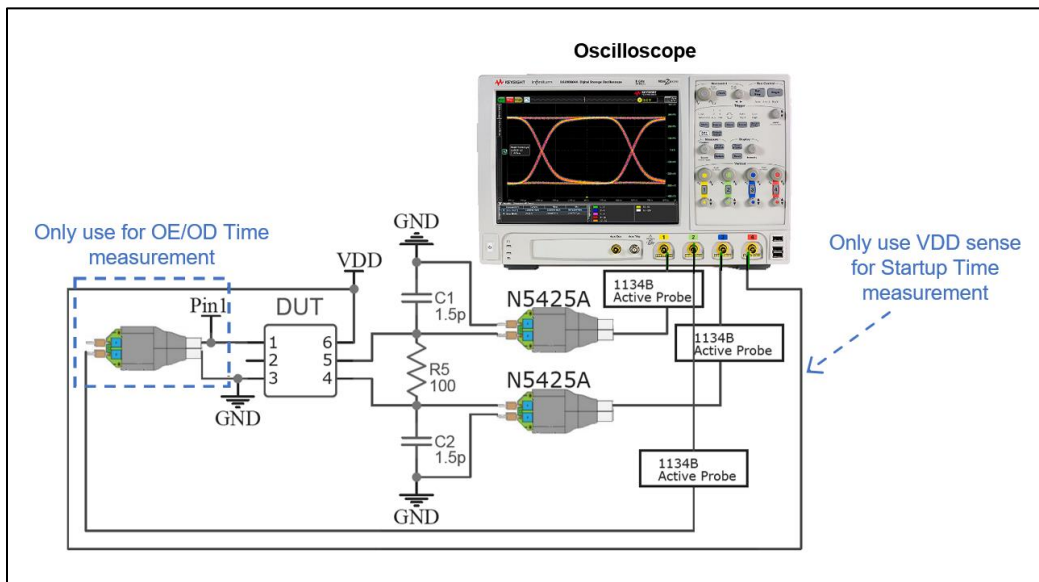


Figure 13. Test setup to measure LVDS Waveform Characteristics, Current Consumption, Output Enable/Disable Time, and Startup Time

Test Circuit Diagrams (continued)

Test Setups for HCSL Measurements

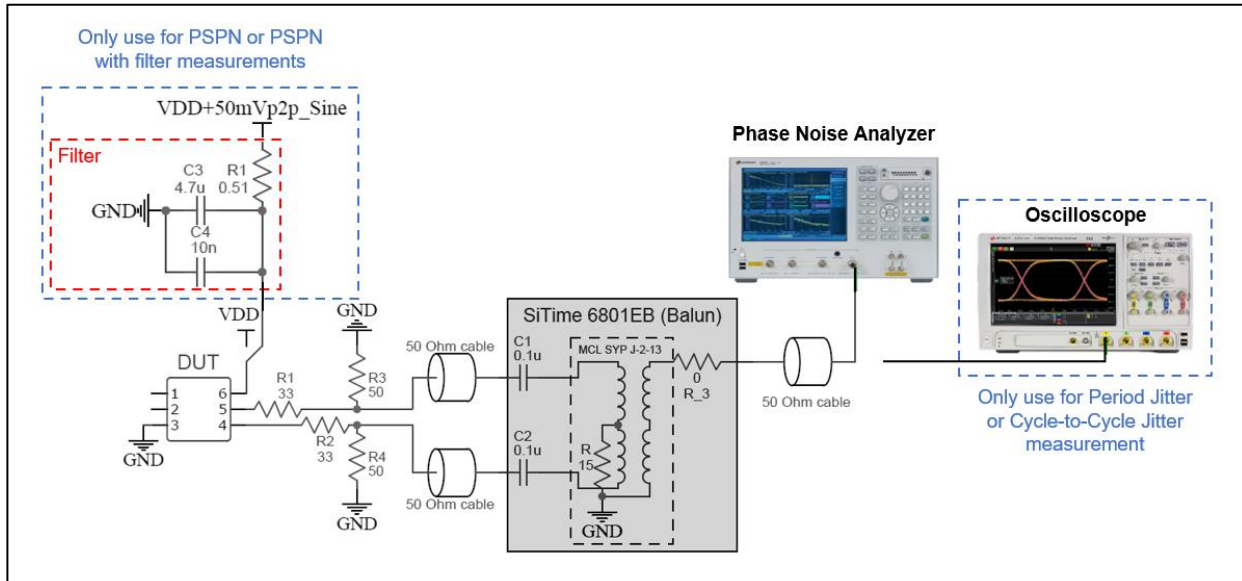


Figure 14. Test setup to measure HCSL Phase Noise, Period Jitter, Cycle-to-Cycle Jitter, and Power Supply-Induced Phase Noise (PSPN) with and without filter added

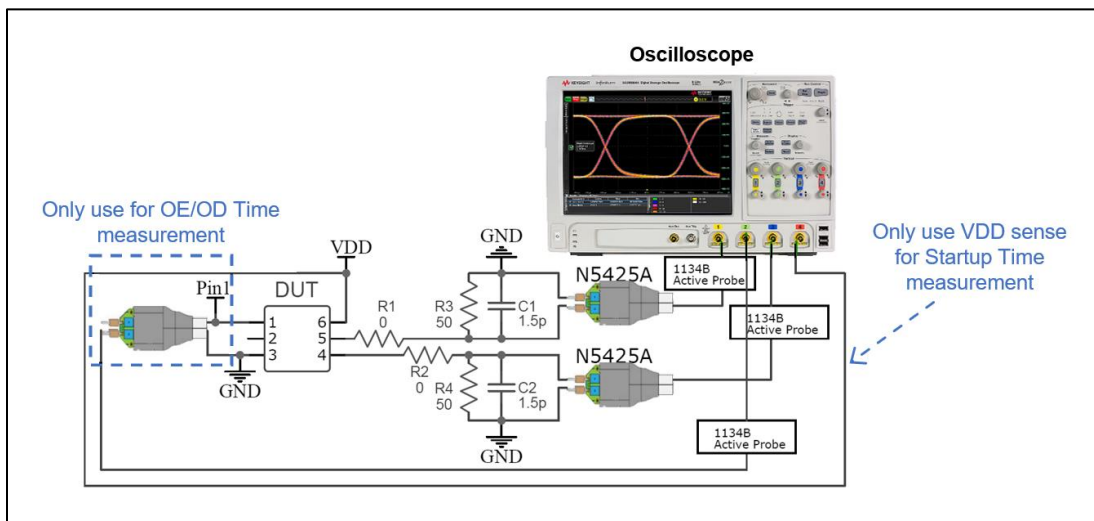


Figure 15. Test setup to measure HCSL Waveform Characteristics, Current Consumption, Output Enable/Disable Time, and Startup Time

Test Circuit Diagrams (continued)

Test Setups for Low-Power HCSL Measurements

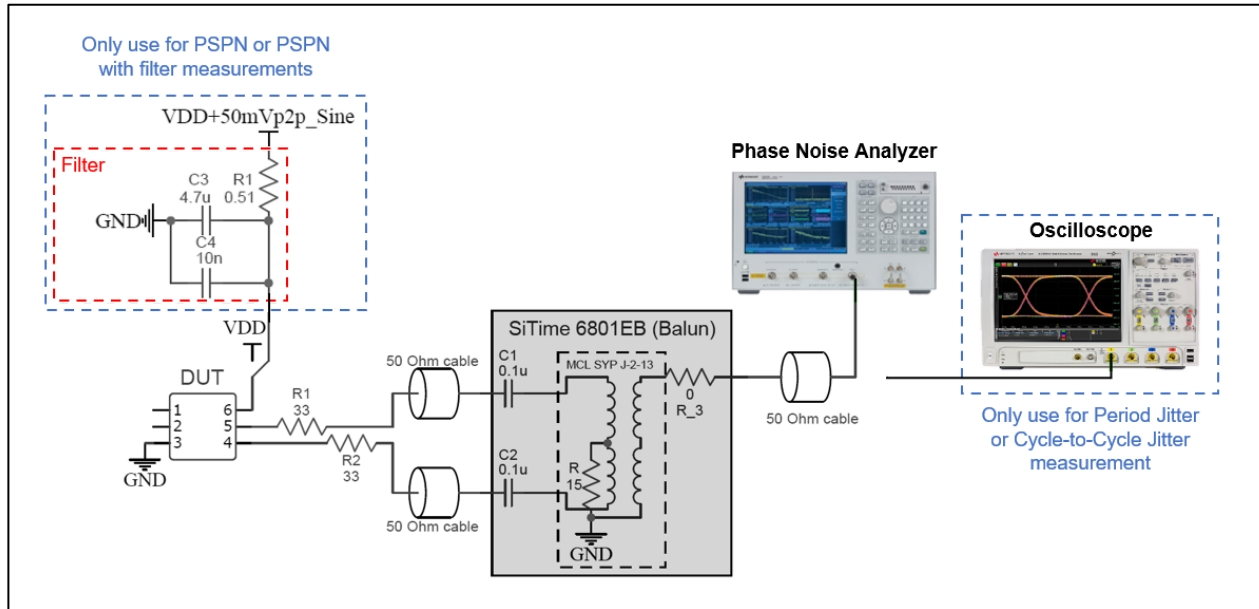


Figure 16. Test setup to measure Low-Power HCSL Phase Noise, Period Jitter, Cycle-to-Cycle Jitter, and Power Supply-Induced Phase Noise (PSPN) with and without filter added

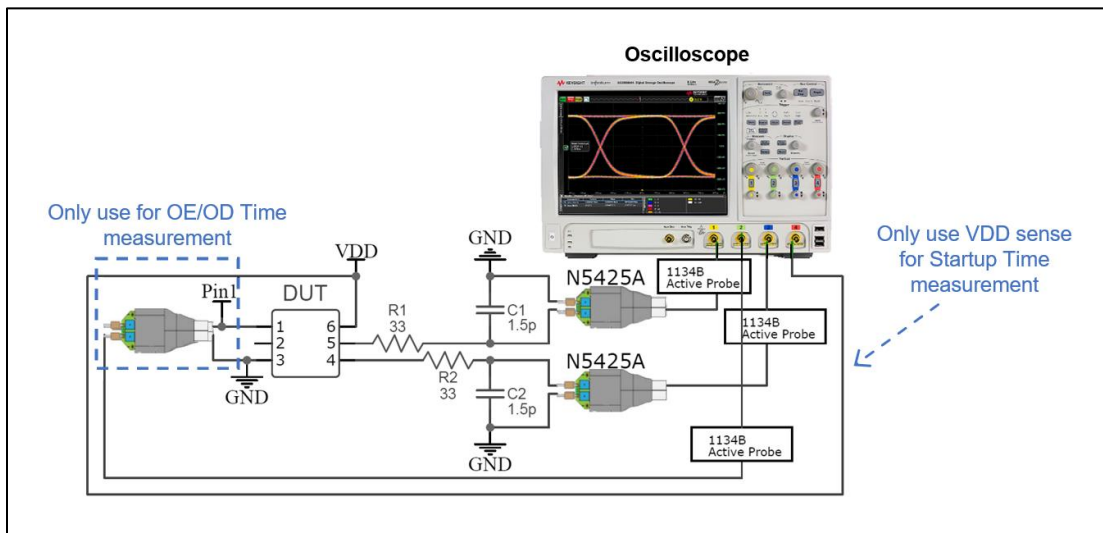


Figure 17. Test setup to measure Low-Power HCSL Waveform Characteristics, Current Consumption, Output Enable/Disable Time, and Startup Time

Waveform Diagrams

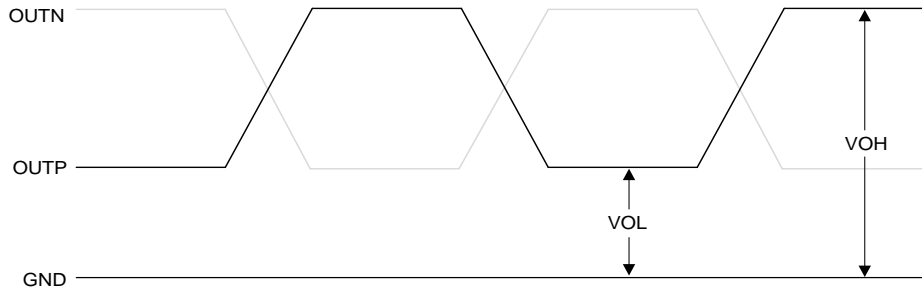


Figure 18. LVPECL, HCSL, Low-Power HCSL, and FlexSwing Voltage Levels per Differential Pin

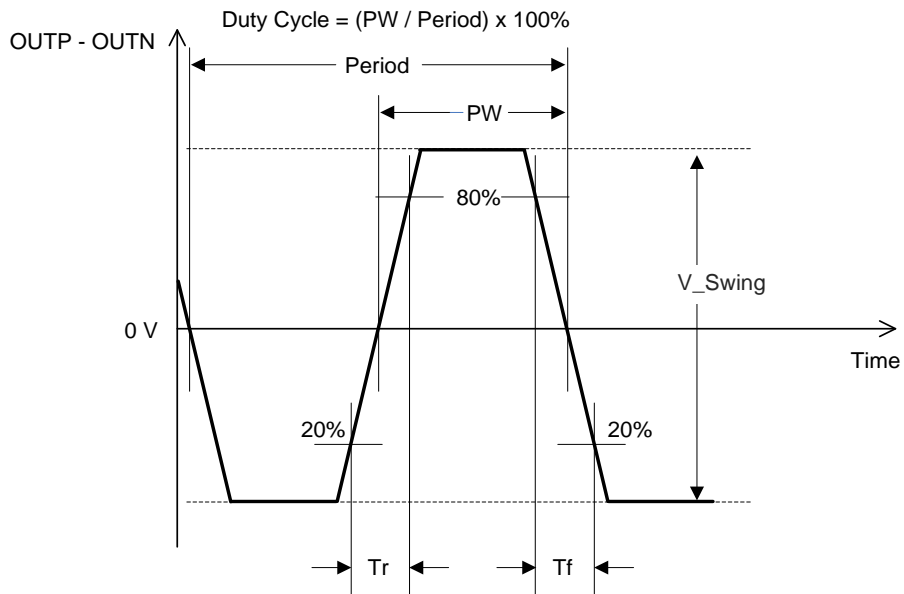


Figure 19. LVPECL, LVDS, HCSL, Low-Power HCSL, and FlexSwing Voltage Levels Across Differential Pair

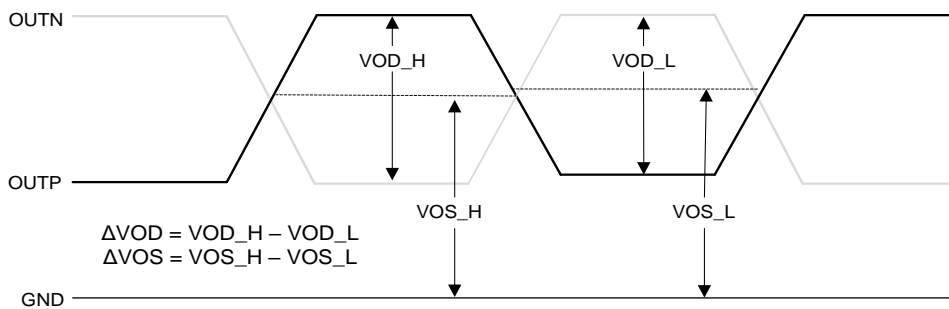


Figure 20. LVDS Voltage Levels per Differential Pin

Waveform Diagrams (continued)

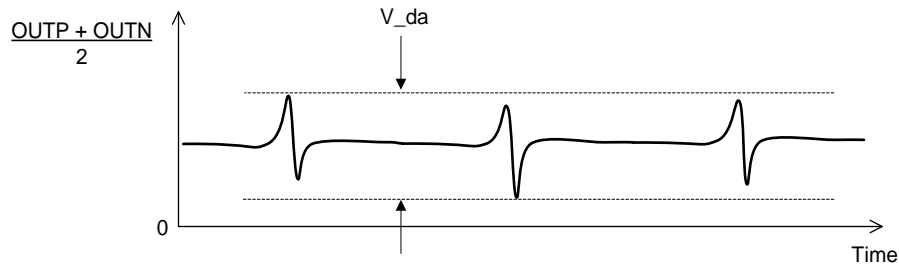


Figure 21. Differential Asymmetry (V_{da})

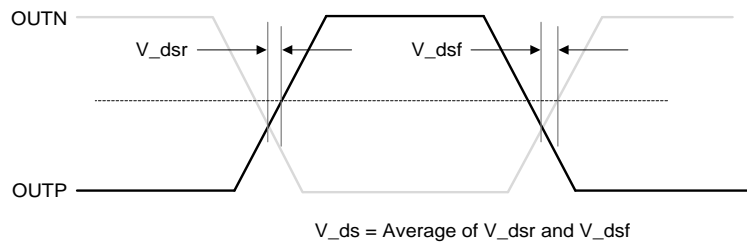


Figure 22. Differential Skew (V_{ds}) is measured as the Time between the Average Voltage Level and Crossing Voltage

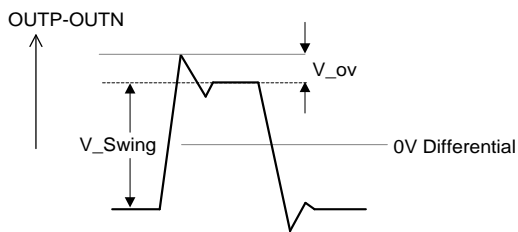


Figure 23. Overshoot Voltage (V_{ov}) for LVPECL, FlexSwing, HCSL, Low-power HCSL

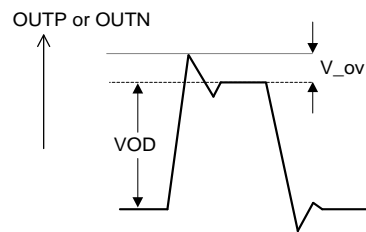


Figure 24. Overshoot Voltage (V_{ov}) for LVDS Output

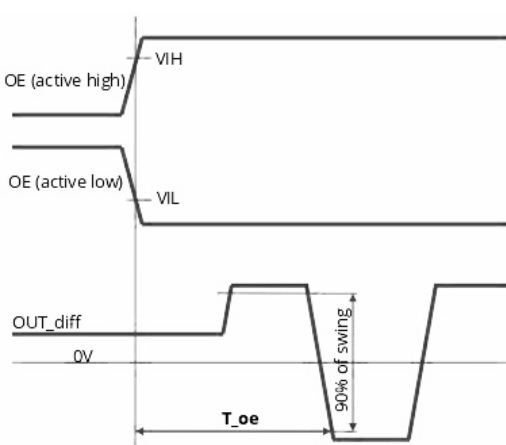


Figure 25. OE Pin Enable Timing (T_{oe})

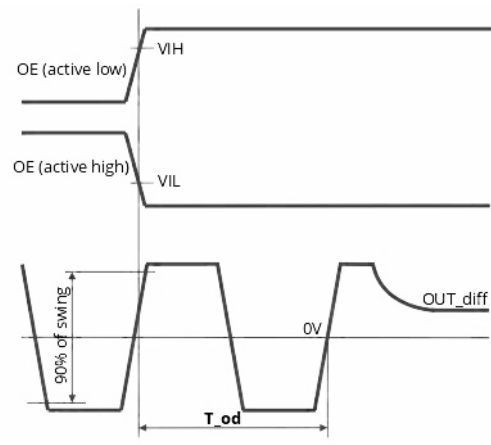


Figure 26. OE Pin Disable Timing (T_{od})

Termination Diagrams

LVPECL and FlexSwing Termination

The SiT9501 FlexSwing output drivers support low power without sacrificing signal integrity via simple terminations as shown in Figure 28 and Figure 30, compared to traditional LVPECL drivers. The FlexSwing and LVPECL outputs are

voltage-mode drivers. Use the table and figures below to select a termination circuit for the desired supply voltage. The table also provides LVPECL current consumption (I_{load}) into the load termination.

Table 19. Termination Options for LVPECL and FlexSwing Signaling

| Signaling | Supply Voltage Order Codes | Termination Options | | | | | |
|-----------------------------|----------------------------|--|---|---------------------------------|-----------|---------------------------------|-------------------|
| | | Figure 27 | Figure 28 | Figure 29 | Figure 30 | Figure 31 | Figure 32 |
| LVPECL referenced to Vdd | "25", "33", "XX" | OK to use $I_{load} = 40$ mA with 100 Ω near-end bias resistor | Do Not Use | OK to use $I_{load} = 28$ mA | OK to use | OK to use $I_{load} = 28$ mA | Do Not Use |
| FlexSwing referenced to Vdd | | | OK to use (see Figure 28 for frequency ranges and voltage swings) | OK to use ²² | OK to use | OK to use | Do Not Use |
| FlexSwing referenced to Gnd | "25", "33", "XX", "YY" | OK to use ²¹ | OK to use (see Figure 28 for frequency ranges and voltage swings) | Do Not Use | OK to use | Do Not Use | Do Not Use |
| | "18" | | | Do Not Use | OK to use | Do Not Use | OK to use |

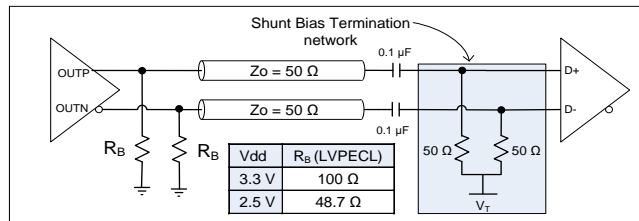


Figure 27. Recommended LVPECL and FlexSwing^[21] Termination when AC-coupled

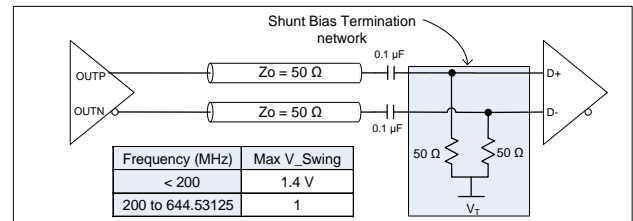


Figure 28. Recommended FlexSwing Termination when AC-coupled

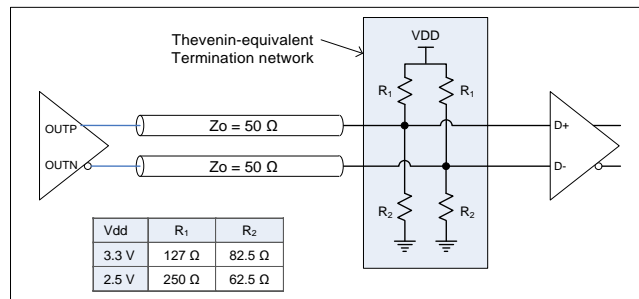


Figure 29. LVPECL and FlexSwing DC-coupled Load Termination with Thevenin Equivalent Network^[22]

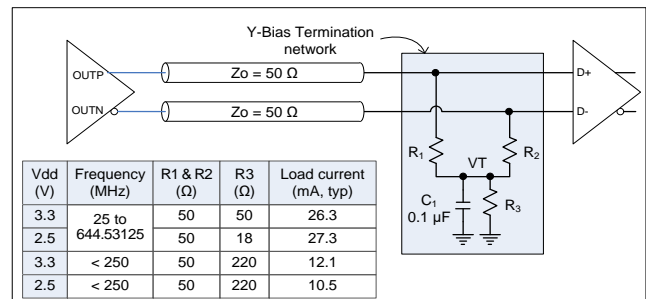


Figure 30. LVPECL and FlexSwing with Y-Bias Termination

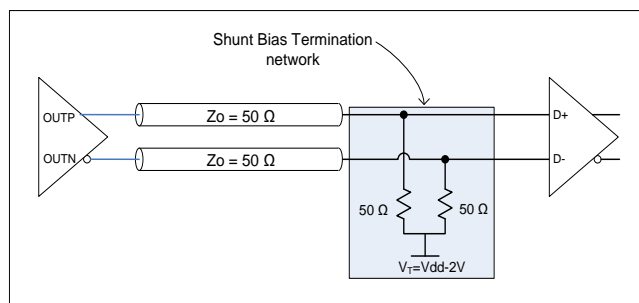


Figure 31. LVPECL and FlexSwing with DC-coupled Parallel Shunt Load Termination

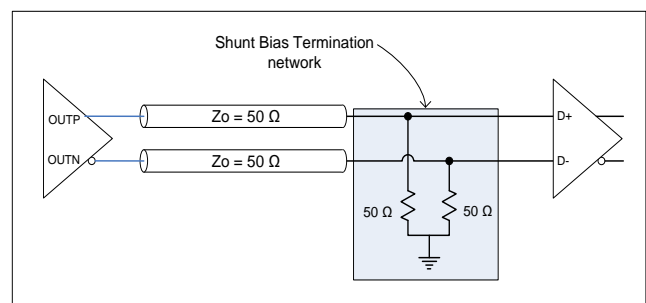


Figure 32. FlexSwing Termination – Only for use with Supply Voltage Order Code "18"

Termination Diagrams (continued)

LVDS, Supply Voltage: 1.8 V ±5%, 2.5 V ±10%, 3.3 V ±10%, 2.25 V to 3.63 V, 1.71 V to 3.63 V

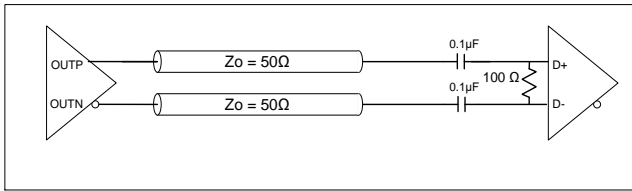


Figure 33. LVDS AC Termination

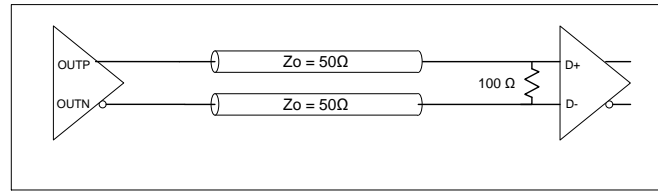


Figure 34. LVDS DC Termination at the Load

HCSL, Supply Voltage: 1.8 V ±5%, 2.5 V ±10%, 3.3 V ±10%, 2.25 V to 3.63 V, 1.71 V to 3.63 V

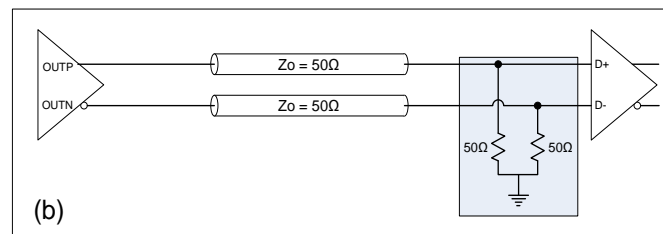
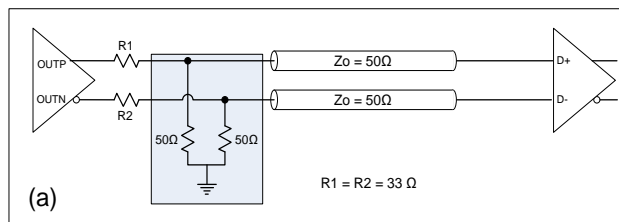


Figure 35. (a) HCSL Source Termination and (b) HCSL Load Termination

Low-power HCSL, Supply Voltage: 1.8 V ±5%, 2.5 V ±10%, 3.3 V ±10%, 2.25 V to 3.63 V, 1.71 V to 3.63 V

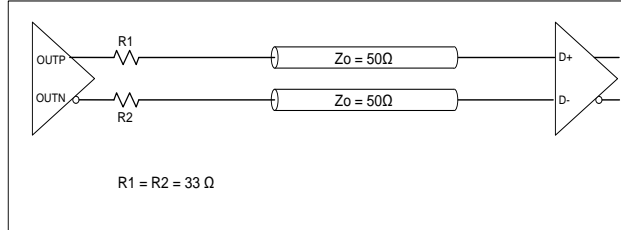


Figure 36. Low-power HCSL Termination

Notes:

- 21. Contact SiTime for optimum R_B values for FlexSwing options.
- 22. Contact SiTime for optimum R_1 and R_2 values for FlexSwing options.

Dimensions and Patterns — 2.0 x 1.6 mm x mm

Package Size – Dimensions (Unit: mm)^[23]

| | SYMBOL | MIN | NOM | MAX |
|------------------------|--------|-----------|-------|-------|
| TOTAL THICKNESS | A | 0.700 | 0.750 | 0.800 |
| STAND OFF | A1 | 0.000 | 0.035 | 0.050 |
| BODY SIZE | X | 2.000 BSC | | |
| | Y | 1.600 BSC | | |
| LEAD WIDTH | b | 0.225 | 0.275 | 0.325 |
| LEAD LENGTH | L | 0.300 | 0.400 | 0.500 |
| LEAD PITCH | e | 0.730 BSC | | |
| PACKAGE TOLERNCE | aaa | 0.100 | | |
| MOLD FLATNESS | bbb | 0.100 | | |
| COPLANARITY | ccc | 0.080 | | |
| NOTE | | | | |
| 1. ALL DIMENSION IN MM | | | | |

| PKG INFO | | DRAWING NO. | |
|---------------------------------|-----------|-------------------------|-------|
| 6L PQFN 2.000x1.600x0.750 mm | | POD-077-PQFN-006-C02016 | |
| DATE | 12/6/2021 | REV | SHEET |
| | | B02 | 01 |

Recommended Land Pattern (Unit: mm)^[24]

Note : All units in mm.

| PKG INFO | | SPL DRAWING NO. | |
|--------------------------|------------|------------------------|-------|
| 6L QFN 2.000x1.600 mm | | SPL-077-QFN-006-C02016 | |
| DATE | 2020/04/20 | REV | SHEET |
| | | B00 | 01 |

Notes:

- 23. Top Marking: Y denotes manufacturing origin and XXXX denotes manufacturing lot number. The value of "Y" will depend on the assembly location of the device.
- 24. A capacitor of value 0.1 μF or higher between VDD and GND is required. An additional 10 μF capacitor between VDD and GND is required for the best phase jitter performance.

Dimensions and Patterns — 2.5 x 2.0 mm x mm

Package Size – Dimensions (Unit: mm)^[23]

| | SYMBOL | MIN | NOM | MAX |
|-------------------|--------|-----------|-------|-------|
| TOTAL THICKNESS | A | 0.800 | 0.850 | 0.900 |
| STAND OFF | A1 | 0.000 | 0.350 | 0.050 |
| BODY SIZE | X | D | | |
| | Y | E | | |
| LEAD WIDTH | b | 0.330 | 0.380 | 0.430 |
| LEAD LENGTH | L | 0.550 | 0.650 | 0.750 |
| LEAD PITCH | e | 0.900 BSC | | |
| PACKAGE TOLERANCE | aaa | 0.100 | | |
| MOLD FLATNESS | bbb | 0.100 | | |
| COPLANARITY | ccc | 0.080 | | |

NOTE
1. ALL DIMENSION IN MM

| PKG INFO | | DRAWING NO. | |
|---------------------------------|-----------|-------------------------|-------|
| 6L PQFN 2.500x2.000x0.850 mm | | POD-092-PQFN-006-C02520 | |
| DATE | 12/5/2022 | REV | SHEET |
| | | A00 | 01 |

Recommended Land Pattern (Unit: mm)^[24]

Note : All units in mm.

| PKG INFO | | SPL DRAWING NO. | |
|---------------------------|------------|------------------------|-------|
| 6L PQFW 2.500x2.000 mm | | SPL-078-QFN-006-C02520 | |
| DATE | 2021/12/06 | REV | SHEET |
| | | B00 | 01 |

Dimensions and Patterns — 3.2 x 2.5 mm x mm

Package Size – Dimensions (Unit: mm)^[23]

(TOP VIEW) (BOTTOM VIEW) (SIDE VIEW)

| | SYMBOL | MIN | NOM | MAX |
|---------------------------------|------------|-------------------------|-------|-------|
| TOTAL THICKNESS | A | 0.800 | 0.850 | 0.900 |
| STAND OFF | A1 | 0.000 | 0.035 | 0.050 |
| BODY SIZE | X | 3.200 BSC | | |
| | Y | 2.500 BSC | | |
| LEAD WIDTH | b | 0.550 | 0.600 | 0.650 |
| LEAD LENGTH | L | 0.650 | 0.700 | 0.750 |
| | L1 | 0.800 REF | | |
| LEAD PITCH | e | 1.100 BSC | | |
| PACKAGE TOLERANCE | aaa | 0.100 | | |
| MOLD FLATNESS | bbb | 0.100 | | |
| COPLANARITY | ccc | 0.080 | | |
| DIMPLE WIDTH | T | 0.150 REF | | |
| DIMPLE LENGTH | P | 0.150 REF | | |
| DIMPLE DEPTH | A2 | 0.100 REF | | |
| NOTE | | | | |
| 1. ALL DIMENSION IN MM | | | | |
| | | | | |
| PKG INFO | | DRAWING NO. | | |
| 6L PQFD 3.200x2.500x0.850 mm | | POD-076-PQFD-006-C03225 | | |
| | | REV | SHEET | |
| DATE | 10/11/2022 | B01 | 01 | |

Recommended Land Pattern (Unit: mm)^[24]

Note : All units in mm.

| | | | | |
|------------|--------------------------|-----|------------------------|--|
| | PKG INFO | | SPL DRAWING NO. | |
| | 6L QFN 3.200x2.500 mm | | SPL-076-QFN-006-C03225 | |
| DATE | | REV | SHEET | |
| 2020/04/20 | | B00 | 01 | |

Additional Information

Table 20. Additional Information

| Document | Description | Download Link |
|--|--|---|
| ECCN #: EAR99 | Five character designation used on the commerce Control List (CCL) to identify dual use items for export control purposes. | — |
| HTS Classification Code: 8542.39.0000 | A Harmonized Tariff Schedule (HTS) code developed by the World Customs Organization to classify/define internationally traded goods. | — |
| Manufacturing Notes | Tape & Reel dimension, reflow profile and other manufacturing related info | https://www.sitime.com/support/resource-library/manufacturing-notes-sitime-products |
| Termination Techniques | Termination design recommendations | http://www.sitime.com/support/application-notes |
| Layout Techniques | Layout recommendations | http://www.sitime.com/support/application-notes |
| Evaluation Boards | SiT6760EB | https://www.sitime.com/support/resource-library/user-manuals/sit6760eb-evaluation-board-user-manual |

Revision History

Table 21. Revision History

| Revision | Release Date | Change Summary |
|----------|--------------|---|
| 0.5 | 27-Apr-2020 | Advanced datasheet |
| 0.51 | 18-May-2020 | Formatting changes Fixed typos Added 2016 and 2520 packages |
| 0.52 | 1-Jun-2020 | Formatting changes Updated package drawings |
| 0.53 | 2-Aug-2020 | Modified Termination Diagrams section |
| 0.54 | 23-Sep-2020 | Modified LVPECL, FlexSwing, LVDS current consumption specifications Modified phase jitter specification Added FlexSwing order codes Added 250u T&R order code Changed rev table date format |
| 0.55 | 23-Oct-2020 | Trademarks update Modified termination for HCSL and low-power HCSL rise/fall time specs |
| 0.56 | 15-Dec-2020 | Updated current consumption |
| 0.57 | 5-Jan-2021 | Updated FlexSwing Electrical Characteristics tables and description Formatting updates |
| 0.58 | 20-Jan-2022 | General Updates |
| 0.59 | 21-Mar-2022 | General Updates |
| 0.9 | 29-Jul-2022 | Added Test Diagrams section Updated Electrical Characteristics tables and descriptions |
| 0.91 | 1-Aug-2022 | Preliminary datasheet |
| 0.92 | 12-Aug-2022 | Updated Test Diagrams and formatting |
| 0.93 | 15-Aug-2022 | Added additional jitter integration bandwidths Updated Disclaimer |
| 0.94 | 11-Jan-2023 | Updated Dimensions & Pattern diagrams |
| 0.95 | 20-June-2023 | Added 4-16A Phase Jitter specification and how to measure section |
| 0.96 | 22-Aug-2023 | Updated 2520 package Dimensions drawing Formatting changes to phase jitter specs |

SiTime Corporation, 5451 Patrick Henry Drive, Santa Clara, CA 95054, USA | Phone: +1-408-328-4400 | Fax: +1-408-328-4439

© SiTime Corporation 2020-2023. The information contained herein is subject to change at any time without notice. SiTime assumes no responsibility or liability for any loss, damage or defect of a Product which is caused in whole or in part by (i) use of any circuitry other than circuitry embodied in a SiTime product, (ii) misuse or abuse including static discharge, neglect or accident, (iii) unauthorized modification or repairs which have been soldered or altered during assembly and are not capable of being tested by SiTime under its normal test conditions, or (iv) improper installation, storage, handling, warehousing or transportation, or (v) being subjected to unusual physical, thermal, or electrical stress.

Disclaimer: SiTime makes no warranty of any kind, express or implied, with regard to this material, and specifically disclaims any and all express or implied warranties, either in fact or by operation of law, statutory or otherwise, including the implied warranties of merchantability and fitness for use or a particular purpose, and any implied warranty arising from course of dealing or usage of trade, as well as any common-law duties relating to accuracy or lack of negligence, with respect to this material, any SiTime product and any product documentation. This product is not suitable or intended to be used in a life support application or component or to operate nuclear facilities, or in other applications where human life may be involved or at stake. All sales are made conditioned upon compliance with the critical uses policy set forth below.

CRITICAL USE EXCLUSION POLICY

BUYER AGREES NOT TO USE SITIME'S PRODUCTS FOR ANY APPLICATION OR IN ANY COMPONENTS USED IN LIFE SUPPORT DEVICES OR TO OPERATE NUCLEAR FACILITIES OR FOR USE IN OTHER APPLICATIONS OR COMPONENTS WHERE HUMAN LIFE OR PROPERTY MAY BE AT STAKE.

For military and aerospace applications, refer to SiT9551 datasheet or the SiTime Endura products page at [Aerospace & Defense solutions](#).

SiTime owns all rights, title and interest to the intellectual property related to SiTime's products, including any software, firmware, copyright, patent, or trademark. The sale of SiTime products does not convey or imply any license under patent or other rights. SiTime retains the copyright and trademark rights in all documents, catalogs and plans supplied pursuant to or ancillary to the sale of products or services by SiTime. Unless otherwise agreed to in writing by SiTime, any reproduction, modification, translation, compilation, or representation of this material shall be strictly prohibited.

单击下面可查看定价，库存，交付和生命周期等信息

[>>SiTime\(赛特时脉\)](#)